

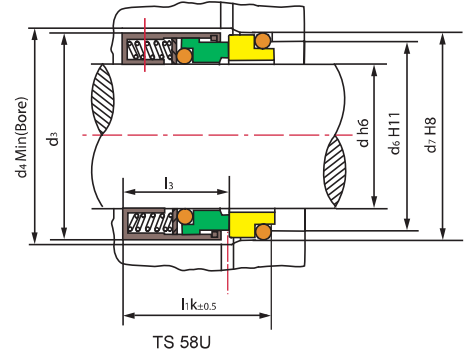
DEMS 900-900 U



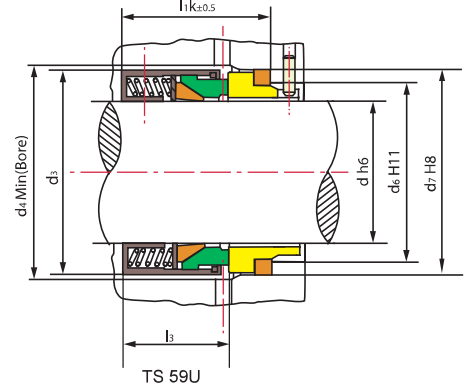
D-RINGLI (With O Ring)



V-RINGLI (With Wedge Ring)



TS 58U



TS 59U

32

Çalışma Limitleri

Basınç: $\leq 1.7\text{MPa}$

Hız: $\leq 25\text{m/s}$

Sıcaklık: $-20^{\circ}\text{C} \sim +200^{\circ}\text{C}$

Operating Limits

Pressure: $\leq 1.7\text{MPa}$

Speed: $\leq 25\text{m/s}$

Temperature: $-20^{\circ}\text{C} \sim +200^{\circ}\text{C}$

- Döner Yüzey (Carbon/SiC/TC)
- Sabit Eleman (99%Ceramic/SiC/TC)
- Elastomer (VITON/PTFE/Encapsulated Ring)
- Yay ve Diğer Parçalar (SUS304/SUS316)
- Rotary Ring (Carbon/SiC/TC)
- Stationary Ring (99%Ceramic/SiC/TC)
- Secondary Seal (VITON/PTFE/Encapsulated Ring)
- Spring & Other Parts (SUS304/SUS316)

Seal size d(mm)	d ₃	d ₄	l _{1k}	l ₃	d ₆	d ₇	Seal size d(mm)	d ₃	d ₄	l _{1k}	l ₃	d ₆	d ₇	Seal size d(mm)	d ₃	d ₄	l _{1k}	l ₃	d ₆	d ₇
14	24	26	35.0	23.0	21	25	35	49	51	42.5	30.5	44	50	63	83	88	52.5	39.0	75	83
16	26	28	35.0	23.0	23	27	38	54	58	45.0	32.0	49	56	65	85	90	52.5	39.0	77	85
18	32	34	37.5	24.0	27	33	40	56	60	45.0	32.0	51	58	68	88	93	52.5	39.0	81	90
20	34	36	37.5	24.0	29	35	43	59	63	45.0	32.0	54	61	70	90	95	60.0	45.5	83	92
22	36	38	37.5	24.0	31	37	45	61	65	45.0	32.0	56	63	75	95	104	60.0	45.5	88	97
24	38	40	40.0	26.7	33	39	48	64	68	45.0	32.0	59	66	80	104	109	60.0	45.0	95	105
25	39	41	40.0	27.0	34	40	50	66	70	47.5	34.0	62	70	85	109	114	60.0	45.0	100	110
28	42	44	42.5	30.0	37	43	53	69	73	47.5	34.0	65	73	90	114	119	65.0	50.0	105	115
30	44	46	42.5	30.5	39	45	55	71	75	47.5	34.0	67	75	95	119	124	65.0	50.0	110	120
32	46	48	42.5	30.5	42	48	58	78	83	52.5	39.0	70	78	95	119	124	65.0	50.0	110	120
33	47	49	42.5	30.5	42	48	60	80	85	52.5	39.0	72	80	100	124	129	65.0	50.0	115	125