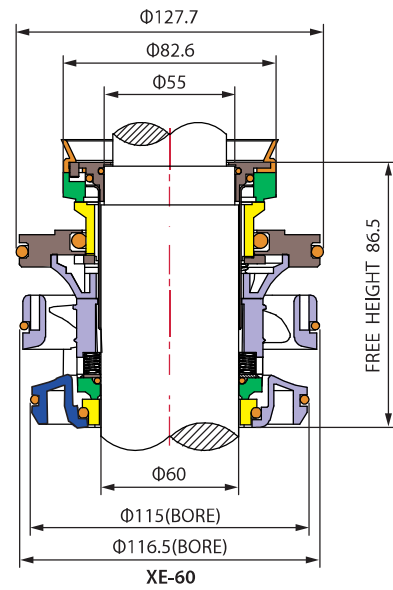
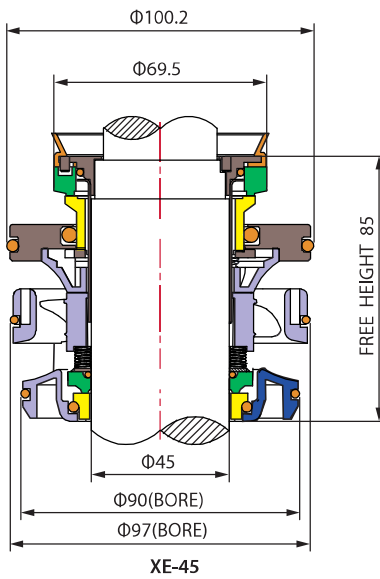
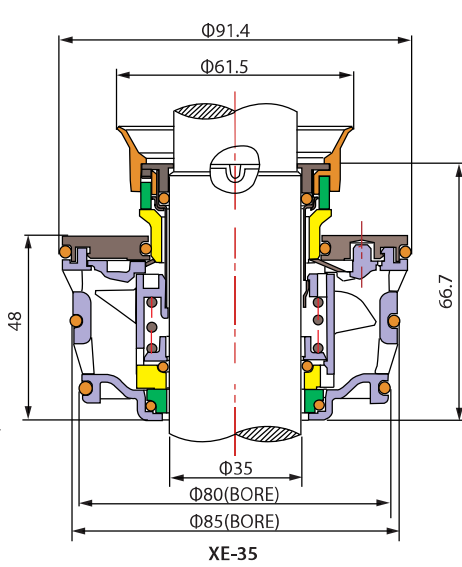
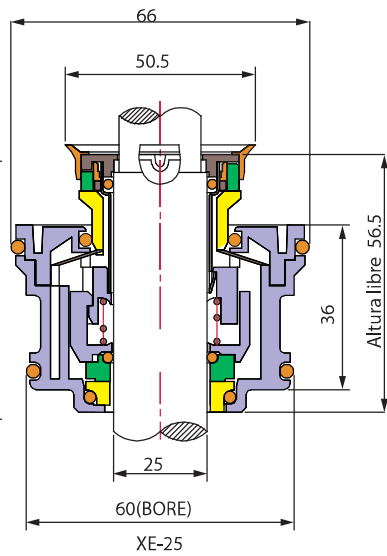
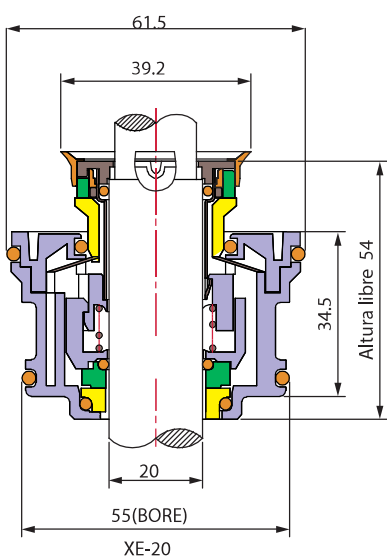


FLYGT pump DEMS FLYGT-XE



72



| MODEL | For Flygt and Grindex Pumps & Mixers |
|-------|--|
| XE-20 | 1520,2610,2620,2630,2640,4610&4620 |
| XE-25 | 2660,4630&4640 |
| XE-35 | 2670,3153,5100.210,5100,211,5100.220&5100.221 |
| XE-45 | 3171,4650,4660,5100.250,5100.251,5100.260&5100.261 |
| XE-60 | 3202,4670,4680,5100.300,5100.310,5150.300&5150.310 |

- Rotary Ring (TC)
- Stationary Ring (TC)
- Secondary Seal (NBR/VITON/EPDM)
- Spring & other Parts (SUS304/SUS316)
- Other Parts (Plastic)
- Stationary Seat(Aluminum alloy)