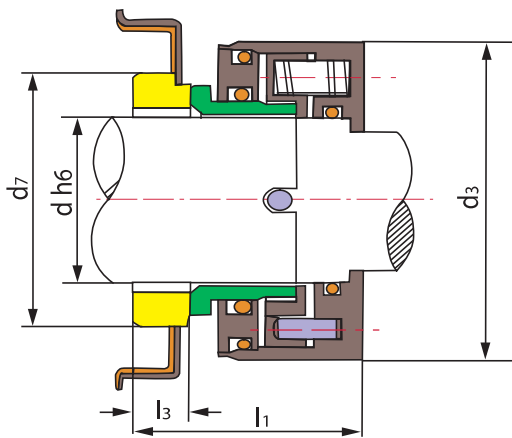
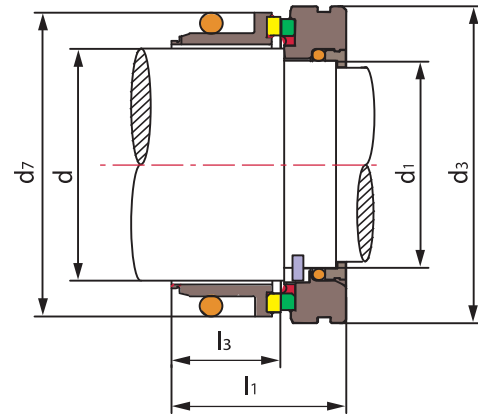


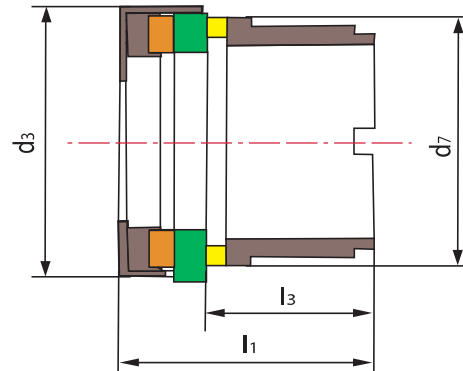
FLYGT pump DEMS FLYGT-XD



TS XD-35



TS XD-60 / TS XD-60A / TS XD-80



TS XD-30 / TS XD-45

- Rotary Ring(SiC/TC)
- Stationary Ring(SiC/TC)
- O-Ring(NBR/EPDM/VITON)
- Spring Seat(NBR/SUS304/SUS316)
- Other Parts(SUS304/SUS316)

Seal size d(mm)	d	d ₁	d ₃	d ₇	l ₁	l ₃
30	\	\	50	46.0	37.6	24.6
35	35	\	67	53.5	42.8	10.3
45	\	\	65	63.0	39.5	26.5
60	60	55	83	83.0	44.3	28.0
60A	60	55	83	80.0	44.5	28.0
80	80	75	106	100.0	47.3	30.3