

DEDB 200-250 SU MAKARASI (DN 15 - DN 40) DEDB 200-250 ROTATING UNION (DN 15 - DN 40)



Çalışma Limitleri

Basınc: ≤ 10 bar
Sıcaklık: $\leq 120^{\circ}\text{C}$
Devir: 100 d/dk

Operating Limits

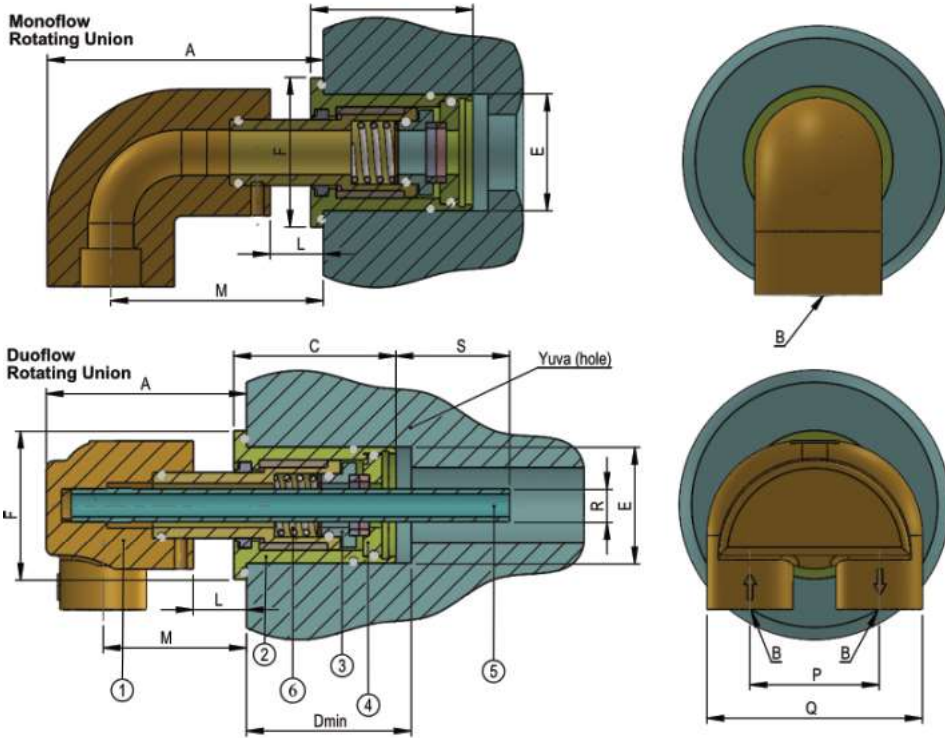
Pressure : ≤ 10 bar
Temperature : $\leq 120^{\circ}\text{C}$
Rotation: 100 Rpm

Parça İsimleri

1. Dirsek
2. Döner Gövde
3. Sabit Eleman
4. Döner Eleman
5. Kondens Borusu
6. Yay

Parts

1. Pipe Bend
2. Rotary Body
3. Stationary Ring
4. Rotary Ring
5. Supply Pipe
6. Spring



DN	TİP	B	MODEL	A	C	D	E	F	L	M	P	Q	R	S
15	TEK GİRİŞLİ MONOFLOW	1/2"	DB200-250	50	42	43	40,08 40,33	52,1	15	36	-	-	-	-
20		3/4"	DB200-250	59	59	60	46,10 46,35	59	19,5	42	-	-	-	-
25		1"	DB200-250	74	78	83	58,50 58,75	73	18,5	53,5	-	-	-	-
20	ÇİFT GİRİŞLİ DOUFLOW	3/4"	DB200-250	75	59	60	46,10 46,35	59	19	51	51	85	12,94 12,98	49
25		3/4"	DB200-250	75	78	83	59,00 58,75	73	18,5	50,5	51	85	18,94 19,00	63
40		1"	DB200-250	98	87	94	71,00 71,25	86	19	68	64	105	28,45 28,70	48,5