

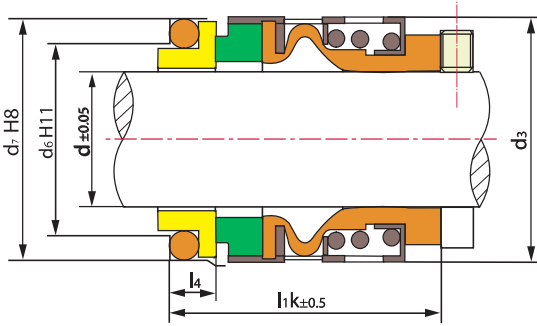
DEMS 502

Çalışma Limitleri

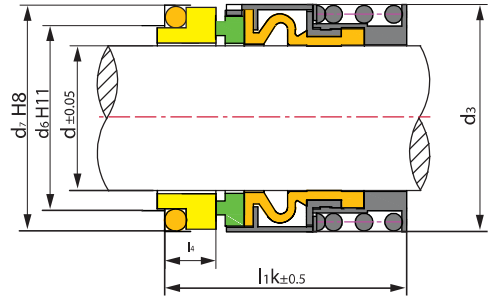
Basınç: $\leq 4\text{MPa}$
Hız: $\leq 13\text{m/s}$
Sıcaklık: $-30^{\circ}\text{C} \sim +200^{\circ}\text{C}$

Operating Limits

Pressure: $\leq 4\text{MPa}$
Speed: $\leq 13\text{m/s}$
Temperature: $-30^{\circ}\text{C} \sim +200^{\circ}\text{C}$



D: 12-68



D: 70-100

28

- Döner Yüzey (Carbon/SiC/TC)
- Sabit Eleman (99% Ceramic/SiC/TC)
- Elastomer (VITON/NBR/EPDM)
- Yay ve Diğer Parçalar (SUS304/SUS316)
- Rotary Ring (Carbon/SiC/TC)
- Stationary Ring (99% Ceramic/SiC/TC)
- Secondary Seal (VITON/NBR/EPDM)
- Spring & Other Parts (SUS304/SUS316)

DEMS 502 standart olarak D8 sabiti ile sunulur, alternatif olarak BP ve BC sabitler sunulabilir.

DEMS 502 seal equip with BO seat (DIN24960), Other seats can also be provided, such as BP, BC seat

Seal size d(mm)	d ₃	d ₆	d ₇	l _k	l ₄
12	22.6	18.5	22.5	32.5	12.0
14	24	21	25	35.0	12.0
16	26	23	27	35.0	12.0
18	32	27	33	37.5	13.5
20	34	29	35	37.5	13.5
22	36	31	37	37.5	13.5
24	38	33	39	40.0	13.3
25	39	34	40	40.0	13.0
28	42	37	43	42.5	12.5
30	44	39	45	42.5	12.0
32	46	42	48	42.5	12.0
33	46	42	48	42.5	12.0
35	49	44	50	42.5	12.0
38	54	49	56	45.0	13.0
40	56	51	58	45.0	13.0
43	59	54	61	45.0	13.0
45	61	56	63	45.0	13.0
48	64	59	66	45.0	13.0
50	66	62	70	47.5	13.5
55	71	67	75	47.5	13.5
60	80	72	80	52.5	13.5
65	85	77	85	52.5	13.5
70	89	83	92	60.0	14.5
75	96	88	97	60.0	14.5
80	104	95	105	60.0	15.0
85	108	100	110	60.0	15.0
90	114	105	115	65.0	15.0
95	118	110	120	65.0	15.0
100	124	115	125	65.0	15.0