



DEMİRKOL

Sızdırmazlık Elemanları Sanayi Ve Tic. Ltd. Şti.



**Mekanik
Salmastralar
Mechanical
Seals**

Demirkol Sızdırmazlık Elemanları
Sanayi ve Tic. Ltd. Şti.

REFERANSLAR



DEMİRKOL SIZDIRMAZLIK ELEMANLARI SAN. TİC.LTD.ŞTİ

DEMİRKOL 1961 yılında, amyant iplik ve yumuşak salmastra imalatı yaparak ticaret hayatına başladı. Çeşitlenen örgülü yumuşak salmastra imalatının yanı sıra 1984 yılında PTFE (teflon) imal etmeye başladı. Dünyada sızdırmazlık teknolojisinin gelişmesine bağlı olarak Türkiye'de mekanik sızdırmazlık uygulamalarının artmasıyla, 1988 yılında mekanik salmastra ve döner bağlantı elemanları (su, buhar, kızgın yağ ve hava başlıkları) imalatına başlayan DEMİRKOL bu alanda Türkiye'deki ilk imalatçı oldu. Standart ürünlerin dışında özel ürünlerin tasarım ve imalatını da yapmaya başlamıştır. İmalatını yapmış olduğu her ürünün tadilatını da yaparak ülke ekonomisine büyük katkıda bulunmuştur.

1994 yılında şirketleşerek DEMİRKOL SIZDIRMAZLIK ELEMANLARI SAN. VE TİC. LTD. ŞTİ. ünvanıyla ticari hayatına devam etti. 2010 yılında yeni ortaklarıyla güçlenen DEMİRKOL, her türlü Pompa tadilat işlemlerini yapmaya başladı. 2018 yılından itibaren DEMİR-EL markasıyla endüstriyel ürünlerin (pompa, vana, rediktör, bağlantı elemanları, rulman, keçe/conta çeşitleri) satışı ile müşterilerine hizmet vermeye başladı.

DEMİRKOL kalitesini ISO 9001:2008 belgesini alarak tescillemiş bulunmaktadır. Pompa ve Makine imalatçılarının yanı sıra Tekstil, Gıda, Plastik ve Kimya sektörlerinde geniş ürün yelpazesi ile müşterilerine hizmet vermektedir.

VİZYONUMUZ

Müşterileri için değer yaratacak yüksek kaliteli ve verimli sızdırmazlık ürünleriyle sektöründe öncü olmaya devam etmek.

MİSYONUMUZ

Müşterilerimiz için en uygun maliyetle en yüksek faydayı sağlayacak CRNI, KARBON, SERAMİK, SİLİSYUM, TUNGSTEN ve diğer yüzeylerden oluşan Mekanik Salmastra ve Döner Bağlantı elemanlarını üretmek. Ürettiğimiz ürünleri gelişen teknoloji ve değişen müşteri ihtiyaçlarına göre geliştirmek. Ürettiğimiz ürünler ile bu ürünlerin kullanıldığı pompa ve makinaların tadilatlarını yapmak.

DEĞERLERİMİZ

- Dürüstlük
- Mükemmeliyete Ulaşma
- Tüketici Odaklı Çalışma
- Çalışanlarına Saygı
- Toplumsal Ve Çevresel Sorumluluk
- Bilimsel Bakış Açısı
- Dayanışma Ve Paylaşım

Firmamız ihbarsız ürünlerin ölçülerini değiştirebilir. Güncel ölçüler için firmamız ile iletişime geçiniz.

DEMİRKOL SEALING SOLUTIONS CO., LTD.

DEMİRKOL started its business life in 1961 by manufacturing asbestos yarn and packing seals. In 1982, DEMİRKOL opened its sales center in Galata Hardware Bazaar in Karaköy. In addition to diversified knitted packing seals, it started to process PTFE (teflon) in 1984. With the increase in mechanical seal applications in Turkey due to the development of sealing technology in the World; Demirkol, which started to manufacture mechanical seals and rotary unions (water, steam, thermal oil and air/gas rotary joints) in 1988, became the first manufacturer in Turkey in this field. Apart from standard products, it has also started to design and manufacture special products. It has made a great contribution to the country's economy by making the repair works of each product it has manufactured.

In 1994, it became a limited company and continued commercial life with DEMİRKOL SIZDIRMAZLIK ELEMANLARI SAN. VE TİC. LTD. ŞTİ. title. DEMİRKOL, which became stronger with its new partners in 2010, started to carry out all kinds of pump revisions.

DEMİRKOL has registered its quality by obtaining the ISO 9001:2008 certificate. In addition to pump and machine manufacturers, DEMİRKOL serves its customers with a wide range of products in the Textile, Food, Plastic and Chemistry industries.

OUR VISION

To continue to be a pioneer in the industry with our high quality and efficient sealing products that will create value for its customers.

OUR MISSION

To produce Mechanical Seal and Rotary Joints with CRNI, CARBON, CERAMIC, SILICONE CARBIDE, TUNGSTEN CARBIDE and other surfaces that will provide the highest benefit for our customers with the most cost-effective way. To develop the products we produce according to the developing technology and changing customer needs. To make revisions and repair works of the products we produce and the pumps and machines in which these products are used.

OUR VALUES

- Integrity
- Achievement Of Excellence
- Consumer-Focused Work
- Respect For Employees
- Social And Environmental Responsibility
- Scientific Point Of View
- Solidarity And Sharing

Our company can change the dimensions of the products without notice. Please contact our company for actual dimensions.

İÇİNDEKİLER / CONTENTS

					
DEMS 20 12	DEMS 50 13	DEMS 70 14	DEMS 100-120 15	DEMS 125 16	DEMS 130 17
					
DEMS 180 18	DEMS 200 19	DEMS 240 20	DEMS 240A - 240B 21	DEMS 240DX 22	DEMS 260 23
					
DEMS 300-320 24	DEMS 350 26	DEMS 390-390A/B 27	DEMS 502 28	DEMS 700-720 29	DEMS 740 30
					
DEMS 750 31	DEMS 900-900U 32	DEMS 920 A/B/C/D 33	DEMS 920E 34	DEMS 9-912 36	DEMS H10 37
					
DEMS 2115 38	DEMS 210 39				

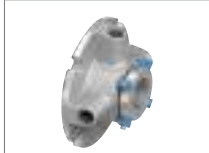
İÇİNDEKİLER / CONTENTS

					
DEMS T1 40	DEMS T2 41	DEMS 57U 42	DEMS KB 43	DEMS HRN 44	DEMS 10T-10R 45
					
DEMS 20T-20R 46	DEMSAP 47	DEMS 960 48	DEMS E 49	DEMS 156 50	DEMS 208 51
					
DEMS 21 52	DEMS BIA 53	DEMS 210CG/210Z 54	DEMS 580 55	DEMS 580B 56	DEMS 166 57
					
DEMS 166T 58	DEMS 103-104 59	DEMS 108 60			

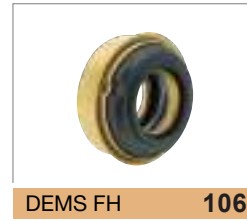
İÇİNDEKİLER / CONTENTS

					
DEMS EMU 61	DEMS APV-01 61	DEMS APV-02 A/B 62	DEMS APV-03 62	DEMS APV-04 62	DEMS APV-05 63
					
DEMS FRST 63	DEMS GRF-706E 64	DEMS GRF-706D 64	DEMS GRF-706B/L 64	DEMS GRF-706B/S 65	DEMS GRF-706A 65
					
DEMS GRF-706DE 65	DEMS GRF-706C 66	Yataklama/Plain bearing 67	DEMS GFK 67	DEMS GRF-706SE 67	DEMS FLYGT-X 68
					
DEMS FLYGT-XA 68	DEMS FLYGT-XC 69	DEMS FLYGT-XB 69	DEMS FLYGT-XD 70	DEMS FLYGT-XF 71	DEMS FLYGT-58UR 71
					
DEMS FLYGT-XE 72	DEMS ARMST-ST 73	DEMS TRCLVR-01 73	DEMS LW-01 74	DEMS LW-02 74	DEMS ALV-01 74
					
DEMS ALV-02 74	DEMS INXP-7K 75	DEMS TSRM 75	DEMS MRN-U154 75	DEMS MRN-U165 75	DEMS DNZ1 76
					
DEMS DNZ2 76					

İÇİNDEKİLER / CONTENTS

					
DEMS 850 77	DEMS MB-J01 78	DEMSMB-J04 79	DEMSMB-J06 80	DEMSMB-J08 81	DEMSMB-J09 82
					
DEMSMB-J13 83	DEMSMB-FS02 84	DEMSMB-FS07 85	DEMSMB-FS08 86	DEMSMB-FS09 87	DEMSMB-B04 88
					
DEMSMB-B05 89	DEMSMB-C02 90	DEMSMB-A01 91	DEMSMB-PZ02 92		

İÇİNDEKİLER / CONTENTS



İÇİNDEKİLER / CONTENTS

					
DEMS 400 117	DEMS 400-J01 118	DEMS 400-J02 120	DEMS 400-J08 122	DEMS 400-J09 123	DEMS 400-B02 124
					
DEMS 400-B03 125	DEMS 400-B04 126	DEMS 400-C01 127	DEMS 400-C03 128	DEMS EKO 129	DEMS 400-A03 131
					
DEMS 400-A04 133	DEMS 400-A05 134	DEMS 400-C01 135	DEMS 410 136	DEMS 410-J01 137	DEMS 410-J05 139
					
DEMS 410-FS02 139	DEMS 410-A02 140	DEMS 410-A03 142	DEMS 410-A04 143		

İÇİNDEKİLER / CONTENTS



DEMS 435-J04 / 445-J05 **145**



DEMS 440/450-B03 **146**



DEMS 435/440/445/450 **147**



DEMS 1065-J01 **148**



DEMS DGS-J02 **149**



DEMS DGS-J03 **150**



TSDGS-B01 **151**

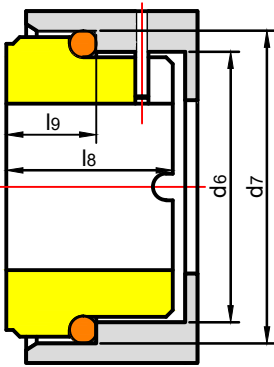


DEMS DGS-B02 **152**

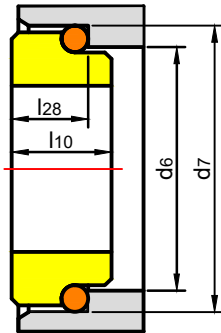


DEMS DGS-FS01 **153**

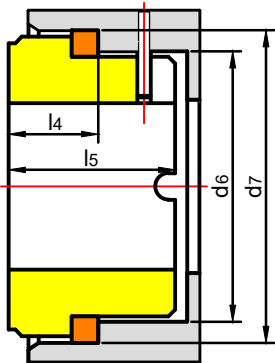
Sabit Elemanlar Stationary Seats



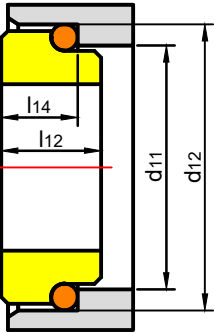
D9



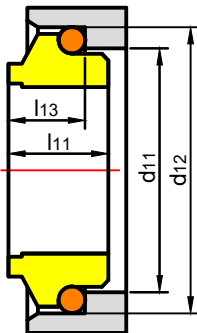
D6



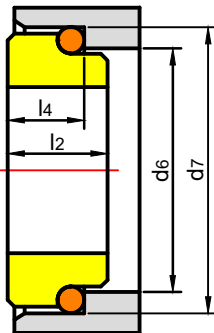
BP9



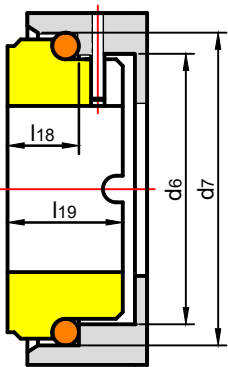
D4



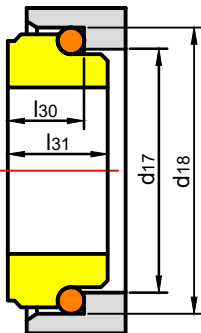
D13



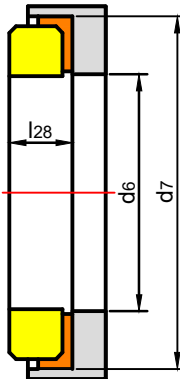
D8



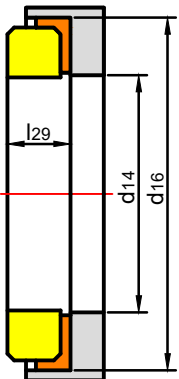
D16



D45



D60

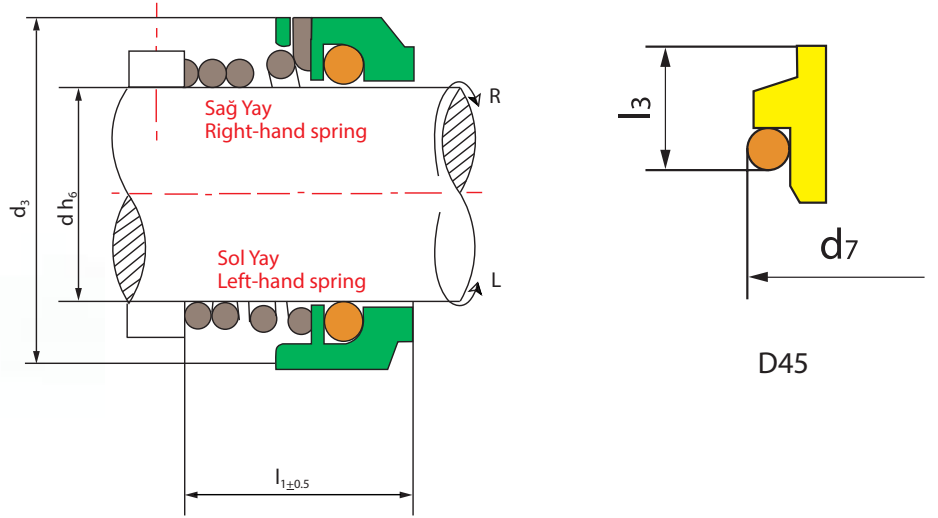


D50

Sabit Eleman Ölçü Verileri

Stationary Seats Dimension Data (mm)

Ø	d6	d7	D4/D13		D8/BP		BP9	D4		D6/D60		D9		D13		D50			D45				D16	
			d11	d12	l2	l4	l5	l12	l14	l10	l28	l8	l9	l11	l13	d14	d16	l29	d17	d18	l30	l31	l18	l19
Ø10	17.0	21.0	15.5	19.2	/	/	/	7.5	6.6	7.5	6.6	17.5	10.0	9.0	7.1	11.0	24.6	9.0	14.0	18.1	5.5	6.8	/	/
Ø12	19.0	23.0	17.5	21.6	/	/	/	6.5	5.6	7.5	6.6	17.5	10.0	10.0	7.6	13.5	27.8	9.0	16.5	20.6	5.5	6.8	/	/
Ø14	21.0	25.0	20.5	24.6	12.8	12.0	18.5	6.5	5.6	7.5	6.6	17.5	10.0	10.0	7.6	17.0	30.95	10.5	19.0	23.1	6.0	7.5	/	/
Ø15	/	/	20.5	24.6	/	12.0	/	7.5	6.6	7.5	/	17.5	10.0	11.0	8.6	17.0	30.95	10.5	21.0	26.9	7.0	7.5	/	/
Ø16	23.0	27.0	22.0	28.0	12.8	12.0	18.5	8.5	7.5	7.5	6.6	17.5	10.0	11.5	9.0	17.0	30.95	10.5	21.0	26.9	7.0	8.5	/	/
Ø18	27.0	33.0	24.0	30.0	14.5	13.5	20.5	9.0	8.0	8.5	7.5	19.5	11.5	12.5	10.0	20.0	34.15	10.5	25.0	30.9	8.0	9.5	7.0	15.0
Ø20	29.0	35.0	29.5	35.0	14.5	13.5	20.5	8.5	7.5	8.5	7.5	19.5	11.5	12.5	9.5	21.5	35.7	10.5	25.0	30.9	8.0	9.5	7.0	15.0
Ø22	31.0	37.0	29.5	35.0	14.5	13.5	20.5	8.5	7.5	8.5	7.5	19.5	11.5	12.5	9.5	23.0	37.3	10.5	30.0	35.4	8.0	9.5	7.0	15.0
Ø24	33.0	39.0	32.0	38.0	14.3	13.3	20.3	8.5	7.5	8.5	7.5	19.5	11.5	12.5	9.5	26.5	40.5	10.5	30.0	35.4	8.0	10.5	7.0	15.0
Ø25	34.0	40.0	32.0	38.0	14.0	13.0	20.0	8.5	7.5	8.5	7.5	19.5	11.5	12.5	9.5	26.5	40.5	10.5	33.0	38.2	8.5	11.0	7.0	15.0
Ø26	/	/	34.0	40.0	/	/	/	9.0	8.0	8.5	7.5	19.5	11.5	13.0	10.0	/	/	/	/	/	/	/	/	/
Ø28	37.0	43.0	36.0	42.0	13.5	12.5	19.5	10.0	9.0	8.5	7.5	19.5	11.5	14.0	11.0	29.5	47.65	12.0	38.0	43.3	9.0	12.0	7.0	15.0
Ø30	39.0	45.0	39.2	45.0	13.0	12.0	19.0	11.5	10.5	8.5	7.5	19.5	11.5	14.0	11.0	32.5	50.8	12.0	38.0	43.3	9.0	12.0	7.0	15.0
Ø32	42.0	48.0	42.2	48.0	13.0	12.0	19.0	11.5	10.5	8.5	7.5	19.5	11.5	14.0	11.0	32.5	50.8	12.0	38.0	43.3	9.0	12.0	7.0	15.0
Ø33	42.0	48.0	44.2	50.0	13.0	12.0	19.0	12.0	10.5	8.5	7.5	19.5	11.5	14.5	11.5	36.5	54.0	12.0	45.0	53.5	11.5	14.0	7.0	15.0
Ø35	44.0	50.0	46.2	52.0	13.0	12.0	19.0	12.0	11.0	8.5	7.5	19.5	11.5	14.5	11.5	36.5	54.0	12.0	45.0	53.5	11.5	14.0	7.0	15.0
Ø38	49.0	56.0	49.2	55.0	14.0	13.0	20.0	11.3	10.3	10.0	9.0	22.0	14.0	14.5	11.5	39.5	57.15	12.0	52.0	60.5	11.5	14.0	7.0	16.0
Ø40	51.0	58.0	52.2	58.0	14.0	13.0	20.0	11.8	10.8	10.0	9.0	22.0	14.0	14.5	11.5	42.5	60.35	12.0	52.0	60.5	11.5	14.0	8.0	16.0
Ø42	/	/	53.3	62.0	14.0	13.0	/	13.2	12.0	10.0	9.0	22.0	14.0	17.0	14.3	46.0	63.5	12.0	52.0	60.5	11.5	14.0	/	/
Ø43	54.0	61.0	53.3	62.0	14.0	13.0	20.0	13.2	12.0	10.0	9.0	22.0	14.0	17.0	14.3	46.0	63.5	12.0	52.0	60.5	11.5	14.0	8.0	16.0
Ø45	56.0	63.0	55.3	64.0	14.0	13.0	20.0	12.8	11.6	10.0	9.0	22.0	14.0	17.0	14.3	46.0	63.5	12.0	57.0	65.5	11.5	15.0	8.0	16.0
Ø48	59.0	66.0	59.7	68.4	14.0	13.0	20.0	12.8	11.6	10.0	9.0	23.0	14.0	17.0	14.3	49.0	66.7	12.0	57.0	65.5	11.5	15.0	8.0	16.0
Ø50	62.0	70.0	60.8	69.3	14.5	13.5	20.5	12.8	11.6	10.5	9.5	23.0	15.0	17.0	14.3	52.0	69.85	13.5	64.0	72.5	11.5	15.0	9.5	17.0
Ø53	65.0	73.0	63.8	72.3	14.5	13.5	20.5	13.5	12.3	12.0	11.0	23.0	15.0	17.0	14.3	55.5	73.05	13.5	/	/	/	15.0	9.5	17.0
Ø55	67.0	75.0	66.5	75.4	14.5	13.5	20.5	14.5	13.3	12.0	11.0	23.0	15.0	18.0	15.3	58.5	76.2	13.5	64.0	72.5	11.5	15.0	9.5	17.0
Ø58	70.0	78.0	69.5	78.4	14.2	13.5	20.5	14.5	13.3	12.0	11.0	23.0	15.0	18.0	15.3	61.5	79.4	13.5	/	/	/	15.0	10.5	18.0
Ø60	72.0	80.0	71.5	80.4	14.2	13.5	20.5	14.5	13.3	12.0	11.0	23.0	15.0	18.0	15.3	61.5	79.4	13.5	72.0	79.3	11.5	19.0	10.5	18.0
Ø63	75.0	83.0	74.5	83.4	14.2	13.5	20.5	14.2	13.3	12.0	11.0	23.0	15.0	18.0	15.3	/	/	/	/	/	/	/	10.5	18.0
Ø65	77.0	85.0	76.5	85.4	14.2	13.5	20.5	14.2	13.0	12.0	11.0	23.0	15.0	18.0	15.3	68.0	92.1	16.0	77.0	84.5	11.5	18.0	10.5	18.0
Ø68	81.0	90.0	82.7	91.5	14.2	13.5	20.5	14.9	13.7	12.5	11.3	26.0	18.0	19.0	16.0	71.0	95.25	16.0	/	/	/	/	11.0	18.5
Ø70	83.0	92.0	83.0	92.0	15.2	14.5	21.5	14.2	13.0	12.5	11.3	26.0	18.0	18.0	15.3	71.0	95.25	16.0	82.0	89.5	11.5	/	11.5	19.0
Ø75	88.0	97.0	90.2	99.0	15.2	14.5	21.5	15.2	14.0	12.5	11.3	26.0	18.0	18.0	15.3	77.5	101.6	16.0	87.0	94.5	11.5	/	11.5	19.0
Ø80	95.0	105.0	95.2	104.0	15.7	15.0	22.0	16.2	15.0	13.0	12.0	26.2	18.2	19.0	16.3	84.0	114.3	20.0	92.0	99.5	11.5	/	11.5	19.0
Ø85	100.0	110.0	100.2	109.0	15.7	15.0	22.0	16.0	14.8	15.0	14.0	26.2	18.2	19.0	16.3	87.0	117.5	20.0	98.0	105.5	13.5	/	11.5	19.0
Ø90	105.0	115.0	105.2	114.0	15.7	15.0	22.0	16.0	14.8	15.0	14.0	26.2	18.2	19.0	16.3	93.5	123.85	20.0	105.0	111.5	13.5	/	13.0	20.5
Ø95	110.0	120.0	111.6	120.3	15.7	15.0	22.0	17.0	15.8	15.0	14.0	25.2	17.2	20.0	17.3	96.5	127.0	20.0	110.0	116.5	13.5	/	13.0	20.5
Ø100	115.0	125.0	114.5	123.3	15.7	15.0	22.0	17.0	15.8	15.0	14.0	25.2	17.2	20.0	17.3	103.0	133.35	20.0	114.0	119.5	13.5	/	13.0	20.5



Çalışma Limitleri

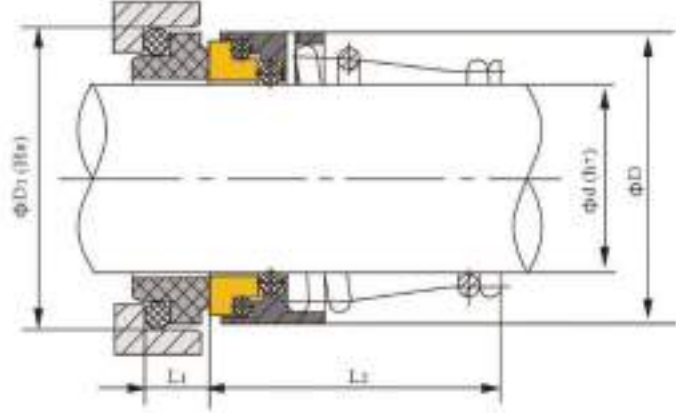
Basınç: $\leq 1.0\text{MPa}$
 Hız: $\leq 10\text{m/s}$
 Sıcaklık: $-20^{\circ}\text{C} \sim +180^{\circ}\text{C}$

Operating Limits

Pressure: $\leq 1.0\text{MPa}$
 Speed: $\leq 10\text{m/s}$
 Temperature: $-20^{\circ}\text{C} \sim +180^{\circ}\text{C}$

Seal Size d(mm)	d3	D45		
		d7	l1	l3
8	18	17.1	15	5.5
10	19	18.1	15	5.5
11	20	20.6	18	5.5
12	21	20.6	18	5.5
13	22	23.0	22	6.0
14	23	23.1	22	6.0
15	24	26.9	22	7.0
16	26	26.9	23	7.0
17	26	26.9	23	7.0
18	29	30.9	24	8.0
19	31	30.9	25	8.0
20	31	30.9	25	8.0
22	33	35.4	25	8.0
23	36	35.4	27	8.0
24	35	35.4	27	8.0
25	36	38.2	27	8.5
26	37	38.2	27	8.5
28	40	43.3	29	9.0
30	43	43.3	30	9.0
32	46	43.3	30	9.0
33	47	53.5	39	11.5

Seal Size d(mm)	d3	D45		
		d7	l1	l3
34	48	53.5	39	11.5
35	49	53.5	39	11.5
36	50	53.5	39	11.5
38	53	60.5	39	11.5
40	56	60.5	39	11.5
42	59	60.5	39	11.5
43	59	60.5	39	11.5
44	60	65.5	41	11.5
45	61	65.5	41	11.5
48	64	65.5	41	11.5
50	66	72.5	45	11.5
53	69	/	/	/
55	71	72.5	47	11.5
58	76	/	/	/
60	78	79.3	49	11.5
63	83	/	/	/
65	84	84.5	51	11.5
68	88	/	/	/
70	90	89.5	51	11.5
75	98	94.5	57	11.5
80	100	99.5	59	11.5



Çalışma Limitleri

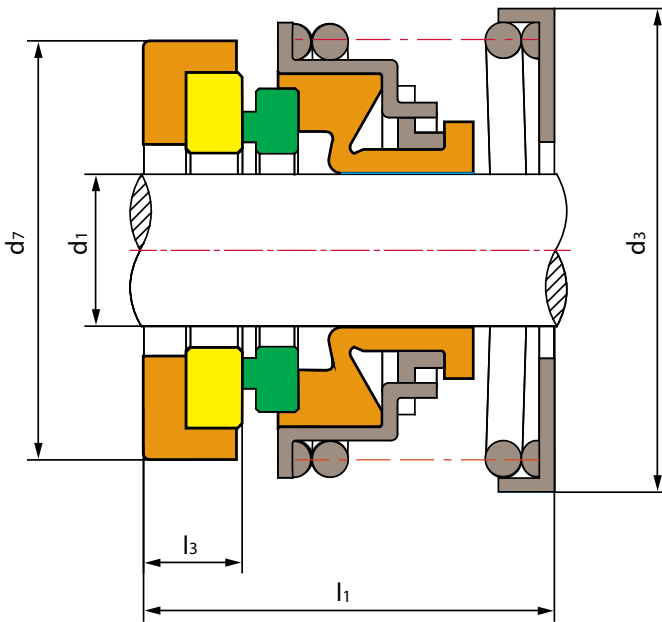
Basınç: $\leq 0.8\text{MPa}$
 Hız: $\leq 10\text{m/s}$
 Sıcaklık: $-20^{\circ}\text{C} \sim +100^{\circ}\text{C}$

Operating Limits

Pressure: $\leq 0.8\text{MPa}$
 Speed: $\leq 10\text{m/s}$
 Temperature: $-20^{\circ}\text{C} \sim +100^{\circ}\text{C}$

d	D	D ₁	L ₁	L ₂
10	19	18.1	5.5	20.2
11	22	20.6	5.5	22.2
12	22	20.6	5.5	22.2
13	24	23.1	6	27.2
14	24	23.1	6	27.2
15	28.5	26.9	7	27.2
16	28.5	26.9	7	28.2
17	28.5	26.9	7	28.2
18	32.5	30.9	8	30.2
19	32.5	30.9	8	30.2
20	32.5	30.9	8	30.2
21	37	35.4	8	30.2
22	37	35.4	8	30.2
23	37	35.4	8	32.2
24	37	35.4	8	32.2
25	40.5	38.2	8.5	33.2
26	40.5	38.2	8.5	33.2
27	40.5	38.2	8.5	33.2
28	46.5	43.3	9	36.2
29	46.5	43.3	9	37.2
30	46.5	43.3	9	37.2
31	46.5	43.3	9	37.2
32	46.5	43.3	9	37.2
33	56.5	53.5	11.5	48.2

d	D	D ₁	L ₁	L ₂
34	56.5	53.5	11.5	48.2
35	56.5	53.5	11.5	48.2
37	56.5	53.5	11.5	48.2
38	63	60.5	11.5	48.2
39	63	60.5	11.5	48.2
40	63.5	60.5	11.5	48.2
42	63.5	60.5	11.5	48.2
43	63.5	60.5	11.5	48.2
44	68.5	65.5	11.5	51.2
45	68.5	65.5	11.5	51.2
48	68.5	65.5	11.5	51.2
49	68.5	65.5	11.5	51.2
50	75	72.5	11.5	55.2
55	75	72.5	11.5	57.2
60	83	79.3	11.5	61.2
65	88	84.5	11.5	63.2
70	93	89.5	11.5	63.2
75	98	94.5	11.5	68.2
80	103	99.5	11.5	70.2
85	117	105.5	13.5	72.2
90	122	111.5	13.5	75.2
95	129	116.5	13.5	75.2
100	135	119.5	13.5	85.2



Çalışma Limitleri

Basınç: $\leq 0.6\text{MPa}$
 Hız: $\leq 10\text{ m/s}$
 Sıcaklık: $-30^{\circ}\text{C} \sim +200^{\circ}\text{C}$

Operating Limits

Pressure: $\leq 0.6\text{MPa}$
 Speed: $\leq 10\text{ m/s}$
 Temperature: $-30^{\circ}\text{C} \sim +200^{\circ}\text{C}$

- Döner Yüzey (Plastic Carbon/Carbon/SiC/TC)
- Sabit Eleman (Ceramic/SiC/TC)
- Elastomer (NBR/EPDM/VITON)
- Yay & Diğer Parçalar (SUS304/SUS316)
- Rotary Ring(Plastic Carbon/Carbon/SiC/TC)
- Stationary Ring(Ceramic/SiC/TC)
- Secondary Seal(NBR/EPDM/VITON)
- Spring & Other Parts(SUS304/SUS316)

Model	d ₁ (mm)	d ₇	d ₃	l ₁	l ₃
DEMS70-10	10	25.4	22.6	19	5.6
DEMS70-13	13	29.5	31.5	32	8
DEMS70-14	14	29.5	31.5	32	8
DEMS70-15	15	29.5	31.5	26/32	8
DEMS70-16	16	29.5	31.5	26/32	8

DEMS 100-120

Çalışma Limitleri

Basınç: $\leq 1.2\text{MPa}$
 Hız: $\leq 10\text{m/s}$
 Sıcaklık: $-20^{\circ}\text{C} \sim +120^{\circ}\text{C}$

Operating Limits

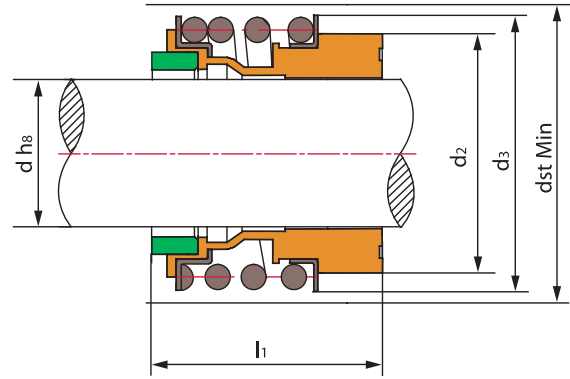
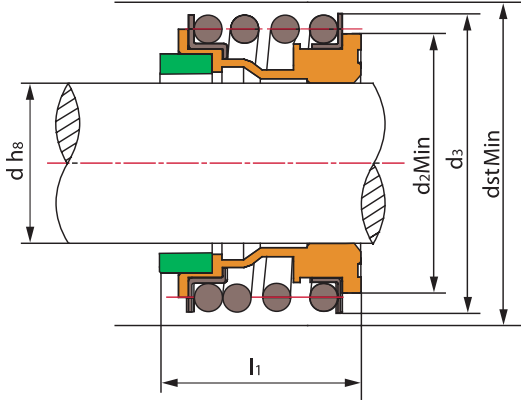
Pressure: $\leq 1.2\text{MPa}$
 Speed: $\leq 10\text{m/s}$
 Temperature: $-20^{\circ}\text{C} \sim +120^{\circ}\text{C}$



DEMS 100



DEMS 120

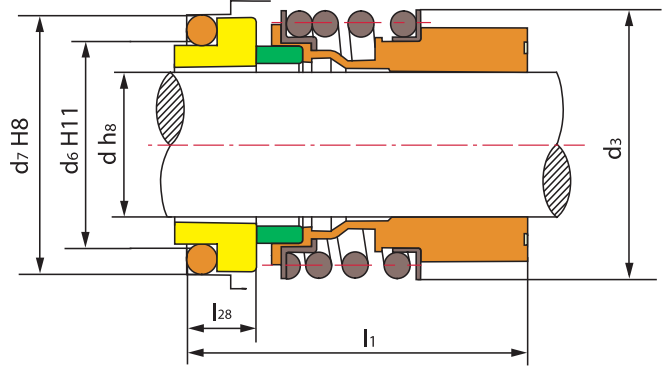


- Döner Yüzey (Carbon/SiC/TC)
- Sabit Eleman (Ceramic/SiC/TC)
- Elastomer (NBR/EPDM/VITON)
- Yay ve Diğer Parçalar (SUS304/SUS316)

- Rotary Ring (Carbon/SiC/TC)
- Stationary Ring (Ceramic/SiC/TC)
- Secondary Seal (NBR/EPDM/VITON)
- Spring & Other Parts (SUS304/SUS316)

DEMS 100						DEMS 120					
Seal size d(mm)	d	d ₂	d ₃	d _{st}	l ₁	Seal size d(mm)	d	d ₂	d _{st}	d ₃	l ₁
8	8	17.5	19.0	23	12.5	10	10	20.5	24	22.5	25.9
10	10	20.5	22.5	24	14.5	12	12	22.5	26	25.0	25.9
12	12	22.5	25.0	26	15.0	14	14	26.5	30	28.5	28.4
14	14	26.5	28.5	30	17.0	16	16	26.5	30	28.5	28.4
15	15	26.5	28.5	30	17.0	18	18	29.0	33	32.0	30.0
16	16	26.5	28.5	30	17.0	20	20	33.0	38	37.0	30.0
18	18	29.0	32.0	33	19.5	22	22	33.0	38	37.0	30.0
19	19	33.0	37.0	38	21.5	24	24	38.0	44	42.5	32.5
20	20	33.0	37.0	38	21.5	25	25	38.0	44	42.5	32.5
22	22	33.0	37.0	38	21.5	28	28	44.0	50	49.0	35.0
24	24	38.0	42.5	44	22.5	30	30	44.0	50	49.0	35.0
25	25	38.0	42.5	44	23.0	32	32	46.0	55	53.5	35.0
28	28	44.0	49.0	50	26.5	33	33	46.0	55	53.5	35.0
30	30	44.0	49.0	50	26.5	35	35	50.0	59	57.0	35.0
32	32	46.0	53.5	55	27.5	38	38	53.0	61	59.0	36.0
33	33	46.0	53.5	55	27.5	40	40	55.0	64	62.0	36.0
35	35	50.0	57.0	59	28.5	43	43	58.0	67	65.5	36.0
38	38	53.0	59.0	61	30.0	45	45	60.0	70	68.0	36.0
40	40	55.0	62.0	64	30.0	48	48	63.0	74	70.5	36.0
42	42	58.0	65.5	67	30.0	50	50	65.0	77	74.0	38.0
43	43	58.0	65.5	67	30.0	53	53	70.0	81	78.5	36.5
45	45	60.0	68.0	70	30.0	55	55	72.0	83	81.0	36.5
48	48	63.0	70.5	74	30.5	58	58	75.0	88	85.5	41.5
50	50	65.0	74.0	77	30.5	60	60	79.0	91	88.5	41.5
53	53	70.0	78.5	81	33.0	65	65	84.0	96	93.5	41.5
55	55	72.0	81.0	83	35.0	68	68	88.0	100	96.5	41.2
58	58	75.0	85.5	88	37.0	70	70	90.0	103	99.5	48.7
60	60	79.0	88.5	91	38.0	75	75	95.0	110	107.0	48.7
65	65	84.0	93.5	96	40.0	80	80	100.0	116	112.0	48.0
68	68	88.0	96.5	100	40.0	85	85	107.0	124	120.0	46.0
70	70	90.0	99.5	103	40.0	90	90	114.0	131	127.0	51.0
75	75	95.0	107.0	110	40.0	95	95	119.0	136	132.0	51.0
80	80	100.0	112.0	116	40.0	100	100	124.0	140	137.0	51.0
85	85	107.0	120.0	124	41.0						
90	90	114.0	127.0	131	45.0						
95	95	119.0	132.0	136	46.0						
100	100	124.0	137.0	140	47.0						

DEMS 125



Çalışma Limitleri

Basınç : $\leq 1.2\text{MPa}$
 Hız : $\leq 10\text{m/s}$
 Sıcaklık : $-20^{\circ}\text{C} \sim +180^{\circ}\text{C}$

Operating Limits

Pressure : $\leq 1.2\text{MPa}$
 Speed : $\leq 10\text{m/s}$
 Temperature : $-20^{\circ}\text{C} \sim +180^{\circ}\text{C}$

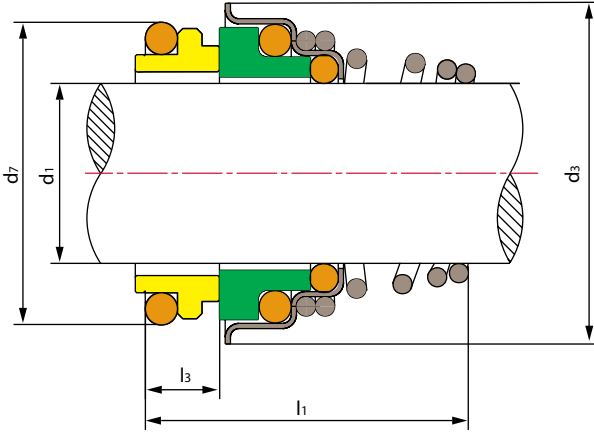
- Döner Yüzey (Carbon/SiC)
- Sabit Eleman (Ceramic/SiC/TC)
- Elastomer (NBR/EPDM/VITON)
- Metal Aksam (SUS304/SUS316)

- Rotary Ring(Carbon/SiC)
- Stationary Ring(Ceramic/SiC/TC)
- Secondary Seal(NBR/EPDM/VITON)
- Metal Parts (SUS304/SUS316)

16

Seal size d(mm)	d ₃	d ₆	d ₇	l ₁	l ₂₈
20	37.0	29	35	45	7.5
22	37.0	31	37	45	7.5
24	42.5	33	39	50	7.5
25	42.5	34	40	50	7.5
28	49.0	37	43	50	7.5
30	49.0	39	45	50	7.5
32	53.5	42	48	55	7.5
35	57.0	44	50	55	7.5
38	59.0	49	56	55	9.0
40	62.0	51	58	55	9.0
42	65.5	54	61	60	9.0
43	65.5	54	61	60	9.0
45	68.0	56	63	60	9.0
48	70.5	59	66	60	9.0
50	74.0	62	70	60	9.5
53	78.5	65	73	70	11.0

DEMS 130



Çalışma Limitleri

Basınç: $\leq 1\text{MPa}$

Hız: $\leq 15\text{ m/s}$

Sıcaklık: $-30^{\circ}\text{C} \sim +200^{\circ}\text{C}$

Operating Limits

Pressure: $\leq 1\text{MPa}$

Speed: $\leq 15\text{ m/s}$

Temperature: $-30^{\circ}\text{C} \sim +200^{\circ}\text{C}$

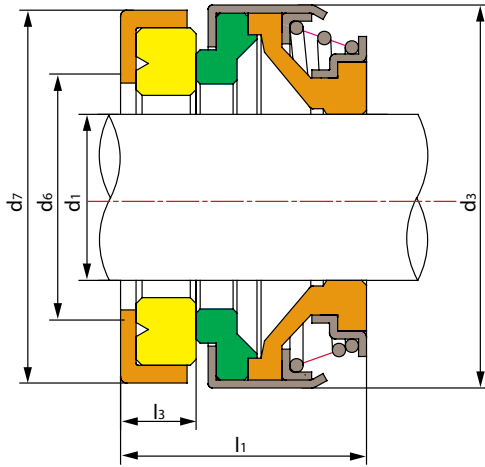
- Döner Yüzey (SiC/TC)
- Sabit Eleman (Plastic Carbon/Carbon/SiC/TC)
- Elastomer (NBR/EPDM/VITON)
- Yay & Diğer Parçalar (SUS304/SUS316)

- Rotary Ring (SiC/TC)
- Stationary Ring (Plastic Carbon/Carbon/SiC/TC)
- Secondary Seal (NBR/EPDM/VITON)
- Spring & Other Parts (SUS304/SUS316)

Model	d ₁ (mm)	d ₃	d ₇	l ₁	l ₃
DEMS 130-10	10	20.0	18.1	20.5	5.5
DEMS 130-11	11	22.0	20.6	23.5	5.5
DEMS 130-12	12	22.0	20.6	23.5	5.5
DEMS 130-13	13	25.0	23.1	28.0	6.0
DEMS 130-14	14	25.0	23.1	28.0	6.0
DEMS 130-15	15	29.0	26.9	30.0	7.0
DEMS 130-16	16	29.0	26.9	30.0	7.0
DEMS 130-17	17	29.0	26.9	30.0	7.0
DEMS 130-18	18	33.0	30.9	32.0	8.0
DEMS 130-19	19	33.0	30.9	33.0	8.0
DEMS 130-20	20	33.0	30.9	33.0	8.0
DEMS 130-21	21	38.0	35.4	33.0	8.0

Model	d ₁ (mm)	d ₃	d ₇	l ₁	l ₃
DEMS 130-22	22	38.0	35.4	33.0	8.0
DEMS 130-23	23	38.0	35.4	35.0	8.0
DEMS 130-24	24	38.0	35.4	35.0	8.0
DEMS 130-25	25	40.0	38.2	35.5	8.5
DEMS 130-28	28	46.0	43.3	39.0	9.0
DEMS 130-29	29	46.0	43.3	39.0	9.0
DEMS 130-30	30	46.0	43.3	39.0	9.0
DEMS 130-32	32	46.0	43.3	39.0	9.0
DEMS 130-33	33	50.0	53.5	50.5	11.5
DEMS 130-35	35	50.0	53.5	50.5	11.5
DEMS 130-38	38	60.5	60.5	50.5	11.5
DEMS 130-40	40	60.5	60.5	50.5	11.5

DEMS 180



Çalışma Limitleri

Basınç: $\leq 0.6\text{MPa}$
 Hız: $\leq 10\text{m/s}$
 Sıcaklık: $-30^{\circ}\text{C} \sim +200^{\circ}\text{C}$

Operating Limits

Pressure: $\leq 0.6\text{MPa}$
 Speed: $\leq 10\text{m/s}$
 Temperature: $-30^{\circ}\text{C} \sim +200^{\circ}\text{C}$

18

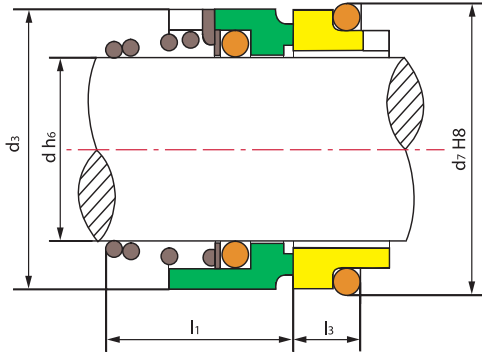
- Döner Yüzey (Plastic Carbon/Carbon/SiC/TC)
- Sabit Eleman (Ceramic/SiC/TC)
- Elastomer (NBR/EPDM/VITON)
- Yay ve Diğer Parçalar (SUS304/SUS316)

- Rotary Ring(Plastic Carbon/Carbon/SiC/TC)
- Stationary Ring(Ceramic/SiC/TC)
- Secondary Seal(NBR/EPDM/VITON)
- Spring & Other Parts(SUS304/SUS316)

Model	d ₁ (mm)	d ₃	d ₆	d ₇	l ₁	l ₃
DEMS 180-6	6	18	8	22.0	14.0	4.0
DEMS 180-8S	8	18	10	22.0	15.0	4.0
DEMS 180-8M	8	20	10	22/26	15/16.5	4.0/5.5
DEMS 180-8L	8	24	10	26.0	16.5	5.5
DEMS 180-10	10	24	12	26.0	21.0	8.0
DEMS 180-11	11	24	13	26.0	21.0	8.0
DEMS 180-12	12	24	14	25/26	21.0	8.0
DEMS 180-13	13	24	15	26.0	18.5/21	5.5/8.0
DEMS 180-13L	13	28	16	28.0	21.0	8.0
DEMS 180-13H	13	32	16	29.5	30.5	8.0
DEMS 180-14	14	28	16	28/28.5	21.0	8.0
DEMS 180-14L	14	32	16	29.5	21.0	8.0
DEMS 180-15S	15	28	16	28.5/30	21.0	8.0
DEMS 180-15M	15	32	16	30/29.5	21.0	8.0
DEMS 180-15L	15	39	18	38.0	21.0	8.0
DEMS 180-16S	16	28	16	29.5/30	21.0	8.0
DEMS 180-16M	16	32	18	29.5	21.0	8.0
DEMS 180-16L	16	39	18	38.0	21.0	8.0
DEMS 180-16H	16	32	16	30.0	29.0	10.0
DEMS 180-17	17	39	19	42.0	21.0	8.0
DEMS 180-18	18	39	20	42.0	21.0	8.0

Model	d ₁ (mm)	d ₃	d ₆	d ₇	l ₁	l ₃
DEMS 180-19	19	39	21	42.0	21.0	8.0
DEMS 180-20	20	39	22	42.0	21.0	8.0
DEMS 180-20L	20	42	24	45.0	23.0	10.0
DEMS 180-22S	22	36	24	45.0	26.5	10.0
DEMS 180-22L	22	42	24	45.0	23.0	10.0
DEMS 180-23	23	47	25	50.0	23.5	10.0
DEMS 180-24	24	47	26	50.0	23.5	10.0
DEMS 180-25	25	42	27	50.0	23.5	10.0
DEMS 180-25L	25	47	27	50.0	23.5	10.0
DEMS 180-26	26	47	29	50.0	23.5	10.0
DEMS 180-27	27	47	30	50.0	23.5	10.0
DEMS 180-28	28	54	31	57.0	25.0	10.0
DEMS 180-30	30	54	33	57.0	25.0	10.0
DEMS 180-32	32	54	35	57.0	25.0	10.0
DEMS 180-35	35	60	38	63.0	26.0	10.0
DEMS 180-38	38	65	41	68.0	30.0	12.0
DEMS 180-40	40	65	43	68.0	30.0	12.0
DEMS 180-45	45	70	48	73.0	32.0	12.0
DEMS 180-50	50	85	52	88.0	38.0	15.0
DEMS 180-55	55	85	58	88.0	38.0	15.0
DEMS 180-60	60	105	63	110.0	45.0	15.0
DEMS 180-65	65	105	\	110.0	47.0	15.0
DEMS 180-70	70	105	\	110.0	47.0	15.0

DEMS 200



Çalışma Limitleri

Basınç: $\leq 1\text{MPa}$
 Hız: $\leq 15\text{m/s}$
 Sıcaklık: $-20^{\circ}\text{C} \sim +180^{\circ}\text{C}$

Operating Limits

Pressure: $\leq 1\text{MPa}$
 Speed: $\leq 15\text{m/s}$
 Temperature: $-20^{\circ}\text{C} \sim +180^{\circ}\text{C}$

- Döner Yüzey (Carbon/SiC/TC)
- Sabit Eleman (99% Ceramic/SiC/TC)
- Elastomer (NBR/EPDM/VITON/PTFE)
- Yay ve Diğer Parçalar (SUS304/SUS316)

- Rotary Ring (Carbon/SiC/TC)
- Stationary Ring (99% Ceramic/SiC/TC)
- Secondary Seal (NBR/EPDM/VITON/PTFE)
- Spring & Other Parts (SUS304/SUS316)

19

Tasarım Özellikleri:

1. Tekli Salmastra
2. Balanssız
3. Konik Yay
4. Dönüş yönüne duyarlı
5. DIN 24960

Design Features:

1. Single seal
2. Unbalanced
3. Conical spring
4. Dependent on direction
5. To DIN 24960

Sabit Elemanlar:

1. DEMS 200 standart olarak D9 ile sunulur.
2. Alternatif olarak D6 veya D4'te sunulabilir.

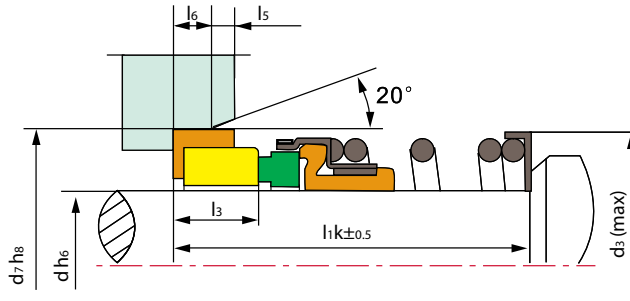
Stationary Seats:

1. DEMS 200 seal equip with 'D9' seat (DIN 24960)
2. Stationary seal alternative: 'D6' (DIN 24960) and 'D4' seats

Seal size d(mm)	d ₃	d ₇	l ₁	l ₃
6	15	\	\	\
8	18	\	\	\
10	20	21	17.5	10.0
12	22	23	17.5	10.0
14	25	25	17.5	10.0
15	27	27	19.5	10.0
16	27	27	19.5	10.0
18	30	33	20.5	11.5
20	32	35	22.0	11.5

Seal size d(mm)	d ₃	d ₇	l ₁	l ₃
22	35	37	23.5	11.5
24	38	39	25.0	11.5
25	40	40	26.5	11.5
26	41	40	26.5	11.5
28	43	43	26.5	11.5
30	47	45	26.5	11.5
32	48	48	28.5	11.5
35	53	50	28.5	11.5
38	56	56	33.5	14.0

DEMS 240



Çalışma Limitleri

Basınç: $\leq 1\text{MPa}$
 Hız: $\leq 10\text{ m/s}$
 Sıcaklık: $-30^{\circ}\text{C} \sim +200^{\circ}\text{C}$

Operating Limits

Pressure: $\leq 1\text{MPa}$
 Speed: $\leq 10\text{ m/s}$
 Temperature: $-30^{\circ}\text{C} \sim +200^{\circ}\text{C}$

- Döner Yüzey (Carbon/SiC/TC)
- Sabit Eleman (Ceramic/SiC/TC)
- Elastomer (NBR/EPDM/VITON)
- Yay & Diğer Parçalar (S.S/SUS304/SUS316)

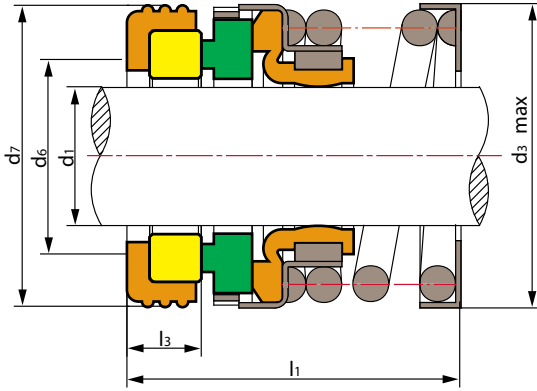
- Rotary Ring(Carbon/SiC/TC)
- Stationary Ring(Ceramic/SiC/TC)
- Secondary Seal(NBR/EPDM/VITON)
- Spring & Other Parts(S.S/SUS304/SUS316)

20

Model	d (mm)	d ₃	d ₇	lk	l ₃	l ₅	l ₆
DEMS240-10	10	20.6	21	32.5	6.0	1.5	4
DEMS240-12	12	22	23	32.5	6.6	1.5	4
DEMS240-14	14	24	25	35.0	8.0	1.5	4
DEMS240-16	16	26	27	35.0	10.3	1.5	4
DEMS240-18	18	32	33	37.5	10.3	2.0	5
DEMS240-20	20	34	35	37.5	11.0	2.0	5
DEMS240-22	22	37	37	37.5	11.0	2.0	5
DEMS240-24	24	39	39	40.0	11.0	2.0	5
DEMS240-25	25	39	40	40.0	11.0	2.0	5
DEMS240-28	28	42	43	42.5	11.0	2.0	5
DEMS240-30	30	44	45	42.5	11.0	2.0	5
DEMS240-32	32	47	48	42.5	11.0	2.0	5
DEMS240-33	33	47	48	42.5	11.0	2.0	5
DEMS240-35	35	49	50	42.5	11.0	2.0	5
DEMS240-38	38	54	56	45.0	11.0	2.0	6
DEMS240-40	40	56	58	45.0	12.7	2.0	6
DEMS240-43	43	59	61	45.0	12.7	2.0	6

Model	d(mm)	d ₃	d ₇	lk	l ₃	l ₅	l ₆
DEMS240-45	45	62	63	45.0	12.7	2.0	6
DEMS240-48	48	64	66	45.0	12.7	2.0	6
DEMS240-50	50	66	70	47.5	12.7	2.5	6
DEMS240-53	53	69	73	47.5	13.5	2.5	6
DEMS240-55	55	72	75	47.5	14.2	2.5	6
DEMS240-58	58	80	78	52.5	14.2	2.5	6
DEMS240-60	60	80	80	52.5	14.2	2.5	6
DEMS240-63	63	83	83	52.5	14.2	2.5	6
DEMS240-65	65	85	85	52.5	16.0	2.5	6
DEMS240-68	68	88	90	52.5	16.0	2.5	7
DEMS240-70	70	90	92	60.0	16.0	2.5	7
DEMS240-75	75	99	97	60.0	16.0	2.5	7
DEMS240-80	80	104	105	60.0	16.0	3.0	7
DEMS240-85	85	108	110	60.0	16.0	3.0	7
DEMS240-90	90	114	115	65.0	16.0	3.0	7
DEMS240-95	95	119	120	65.0	16.0	3.0	7
DEMS240-100	100	124	125	65.0	16.0	3.0	7

DEMS 240A - 240B



Çalışma Limitleri

Basınç: $\leq 1\text{MPa}$
 Hız: $\leq 12\text{ m/s}$
 Sıcaklık: $-30^{\circ}\text{C} \sim +200^{\circ}\text{C}$

Operating Limits

Pressure: $\leq 1\text{MPa}$
 Speed: $\leq 12\text{ m/s}$
 Temperature: $-30^{\circ}\text{C} \sim +200^{\circ}\text{C}$

- Döner Yüzey (Plastic Carbon/Carbon/SiC/TC)
- Sabit Eleman (Ceramic/SiC/TC)
- Elastomer (NBR/EPDM/VITON)
- Yay & Diğer Parçalar(SUS304/SUS316)

- Rotary Ring(Plastic Carbon/Carbon/SiC/TC)
- Stationary Ring(Ceramic/SiC/TC)
- Secondary Seal(NBR/EPDM/VITON)
- Spring & Other Parts(SUS304/SUS316)

Model	d ₁ (mm)	d ₃	d ₆	d ₇	l ₁	l ₃
DEMS240 A-10	10	23.5	16	24	25.0	7.0
DEMS240 A-11	11	23.5	16	24	25.0	7.0
DEMS240 A-12	12	26.0	17	26	25.0	7.0
DEMS240 A-14	14	28.0	21	28	25.5	7.0
DEMS240 A-15	15	30.0	21	28	29.5	7.0
DEMS240 A-16	16	32.0	22	32	33.5	10.0
DEMS240 A-18	18	32.5	25	35	36.5	10.0
DEMS240 A-19	19	32.5	25	35	36.5	10.0
DEMS240 A-20	20	35.5	27	38	38.0	10.0
DEMS240 A-22	22	37.5	29	40	40.3	10.0
DEMS240 A-25	25	42.0	32	44	39.3	10.0
DEMS240 A-28	28	47.0	34	46	40.0	10.0
DEMS240 A-30S	30	46.0	35	45	38.2	7.5
DEMS240 A-30L	30	48.0	38	50	40.0	10.0
DEMS240 A-32	32	50.0	40	54	40.0	10.0
DEMS240 A-35	35	54.5	44	58	42.0	10.0
DEMS240 A-38	38	58.5	46	60	42.6	10.0
DEMS240 A-40	40	62.5	48	64	42.6	10.0
DEMS240 A-45	45	66.5	52	66	45.0	10.0
DEMS240 A-50	50	72.5	58	72	54.6	11.5
DEMS240 A-55S	55	72.0	60	75	59.4	12.0

Model	d ₁ (mm)	d ₃	d ₆	d ₇	l ₁	l ₃
DEMS240A-60	55	76.0	60	78	59.8	12.0
DEMS240A-60	60	80.0	65	80	63.0	12.0
DEMS240A-65	65	85.0	70	85	64.0	13.0
DEMS240A-70	70	92.0	75	92	60.0	11.0
Model	d ₁ (inches)	d ₃	d ₆	d ₇	l ₁	l ₃
DEMS240B-3/8"	9.525	23.5	14.3	22.230	28.6	7.9
DEMS240B-1/2"	12.700	26.0	17.5	25.400	28.6	7.9
DEMS240B-5/8"	15.875	30.0	20.6	31.750	32.5	10.3
DEMS240B-3/4"	19.050	32.5	23.8	34.930	32.5	10.3
DEMS240B-7/8"	22.225	37.5	27.0	38.100	34.1	10.3
DEMS240B-1"	25.400	44.0	30.2	41.280	36.5	11.1
DEMS240B-1 1/8"	28.575	48.0	33.3	44.450	38.1	11.1
DEMS240B-1 1/4"	31.750	50.0	36.5	47.630	38.1	11.1
DEMS240B-1 3/8"	34.925	54.5	39.7	50.800	39.7	11.1
DEMS240B-1 1/2"	38.100	58.5	42.9	53.980	39.7	11.1
DEMS240B-1 5/8"	41.275	64.0	46.0	60.330	47.6	12.7
DEMS240B-1 3/4"	44.450	67.0	49.2	63.500	47.6	12.7
DEMS240B-1 7/8"	47.625	71.0	52.4	66.680	50.8	12.7
DEMS240B-2"	50.800	73.5	55.6	69.850	50.8	12.7
DEMS240B-2 1/8"	53.975	75.6	\	76.200	57.2	14.3
DEMS240B-2 1/4"	57.150	80.0	65.0	79.380	57.2	14.3
DEMS240B-2 3/8"	60.325	79.6	\	82.550	57.2	14.3
DEMS240B-2 1/2"	63.500	84.9	70.0	85.730	60.3	14.3
DEMS240B-2 5/8"	66.675	84.6	\	85.725	65.1	15.9
DEMS240B-2 3/4"	69.850	93.0	\	88.900	65.1	15.9
DEMS240B-3"	76.200	102.0	\	98.425	68.3	15.9

DEMS 240DX



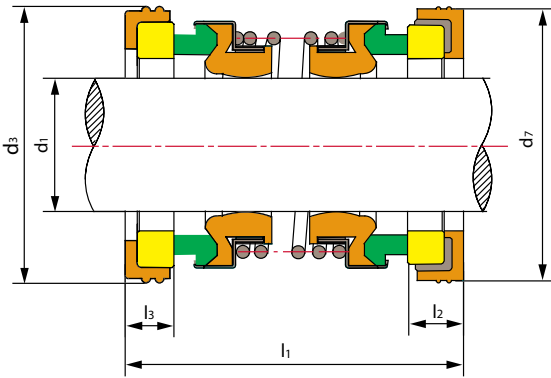
Çalışma Limitleri

Basınç: $\leq 0.3\text{MPa}$
 Hız: $\leq 10\text{ m/s}$
 Sıcaklık: $-30^{\circ}\text{C} \sim +200^{\circ}\text{C}$

Operating Limits

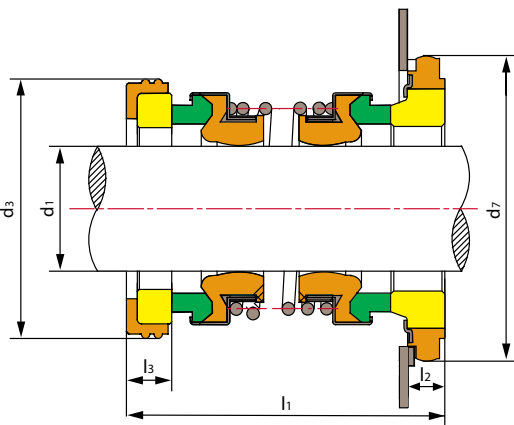
Pressure: $\leq 0.3\text{MPa}$
 Speed: $\leq 10\text{ m/s}$
 Temperature: $-30^{\circ}\text{C} \sim +200^{\circ}\text{C}$

22



560D-13~16

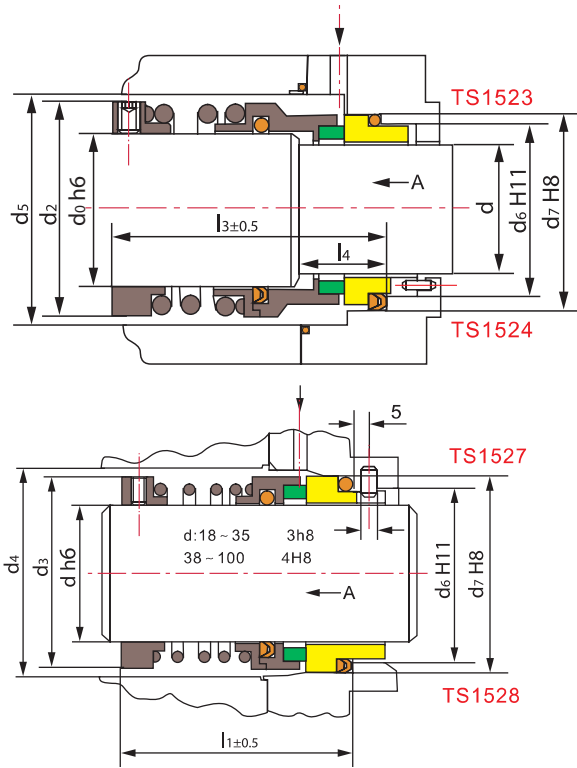
- Döner Yüzey (Plastic Carbon/Carbon/SiC/TC)
- Sabit Eleman (Ceramic/SiC/TC)
- Elastomer (NBR/EPDM/VITON)
- Yay & Diğer Parçalar (SUS304/SUS316)
- Rotary Ring (Plastic Carbon/Carbon/SiC/TC)
- Stationary Ring (Ceramic/SiC/TC)
- Secondary Ring (NBR/EPDM/VITON)
- Spring and Other Parts (SUS304/SUS316)



560D-18~50

Model	d ₁ (mm)	d ₃	d ₇	l ₁	l ₂	l ₃
DEMS240DX-13	13	25	25	36	5	5
DEMS240DX-14	14	30	30	37	5	5
DEMS240DX-15	15	30	30	37	5	5
DEMS240DX-16	16	30	30	37	5	5
DEMS240DX-18	18	35	38	49	7	10
DEMS240DX-19	19	35	38	49	7	10
DEMS240DX-20	20	38	44	49	7	7
DEMS240DX-25	25	44	50	51	7	7
DEMS240DX-30	30	50	57	59	9	8
DEMS240DX-35	35	58	64	61	9	9
DEMS240DX-40	40	64	70	64	11	9
DEMS240DX-45	45	66	70	65	10	9
DEMS240DX-50	50	72	80	69	10	9

DEMS 260-26050



Çalışma Limitleri

Basınç: 0~1MPa(TS1527,TS1528)
≤3MPa(TS1523,TS1524)

Hız: ≤15m/s

Sıcaklık: -20°C~+180°C

Operating Limits

Pressure: 0~1MPa(TS1527,TS1528)
≤3MPa(TS1523,TS1524)

Speed: ≤15m/s

Temperature: -20°C~+180°C

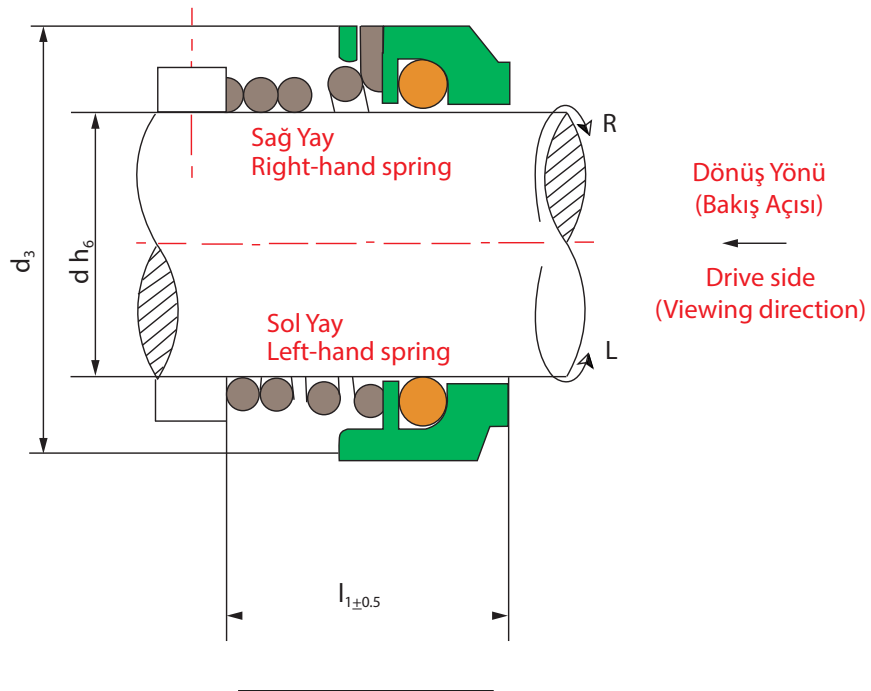
- Döner Yüzey (SiC/TC/Carbon)
- Sabit Eleman (Carbon/SiC/TC)
- Elastomer(EPDM/ITON/PTFE)
- Yay & Diğer Parçalar(SUS304/SUS316)

- Rotary Ring (SiC/TC/Carbon)
- Stationary Ring (Carbon/SiC/TC)
- Secondary Seal(EPDM/ITON/PTFE)
- Spring & Other Parts(SUS304/SUS316)

Seal size d(mm)	d ₀	d ₃	d ₄ min	d ₆	d ₇	d ₂	d ₅ min	l ₃	l ₁	l ₄
18	22	32	34	27	33	36	38	55	45	20
20	24	34	36	29	35	38	40	60	45	20
22	26	36	38	31	37	40	42	60	45	20
24	28	38	40	33	39	42	44	60	50	20
25	30	39	41	34	40	44	46	60	50	20
28	33	42	44	37	43	47	49	65	50	20
30	35	44	46	39	45	49	51	65	50	20
32	38	46	48	42	48	54	58	65	55	20
33	38	47	49	42	48	54	58	65	55	20
35	40	49	51	44	50	56	60	65	55	20
38	43	54	58	49	56	59	63	75	55	23
40	45	56	61	51	58	61	65	75	55	23
43	48	59	63	54	61	64	68	75	60	23
45	50	61	65	56	63	66	70	75	60	23
48	53	64	68	59	66	69	73	85	60	23

Seal size d(mm)	d ₀	d ₃	d ₄ min	d ₆	d ₇	d ₂	d ₅ min	l ₃	l ₁	l ₄
50	55	66	70	62	70	71	75	85	60	25
53	58	69	73	65	73	78	83	85	70	25
55	60	71	75	67	75	80	85	85	70	25
58	63	78	83	70	78	83	88	85	70	25
60	65	80	85	72	80	85	90	95	70	25
63	68	83	88	75	83	88	93	95	70	25
65	70	85	90	77	85	90	95	95	80	25
68	73	88	93	81	90	93	98	95	80	28
70	75	90	95	83	92	99	104	95	80	28
75	80	99	104	88	97	104	109	105	80	28
80	85	104	109	95	105	109	114	105	90	28
85	90	109	114	100	110	114	119	105	90	28
90	95	114	119	105	115	119	124	105	90	28
95	100	119	124	110	120	124	129	105	90	28
100	105	124	129	115	125	129	134	105	90	28

DEMS 300-320



24

Çalışma Limitleri

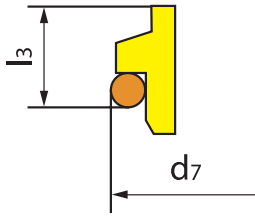
Basınç: $\leq 1.0\text{MPa}$
Hız: $\leq 10\text{m/s}$
Sıcaklık: $-20^\circ\text{C} \sim +180^\circ\text{C}$

Operating Limits

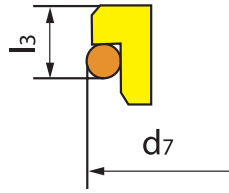
Pressure: $\leq 1.0\text{MPa}$
Speed: $\leq 10\text{m/s}$
Temperature: $-20^\circ\text{C} \sim +180^\circ\text{C}$

- Döner Yüzey (SUS304/SiC/Carbon/TC)
- Sabit Eleman (Carbon/SiC/TC)
- O-Ring (NBR/EPDM/VITON/PTFE)
- Retainer (SUS304/SUS316)
- Yay (SUS304/SUS316)

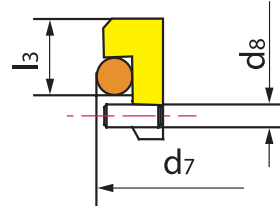
- Rotary Ring (SUS304/SiC/Carbon/TC)
- Stationary Ring (Carbon/SiC/TC)
- O-Ring (NBR/EPDM/VITON/PTFE)
- Retainer (SUS304/SUS316)
- Spring (SUS304/SUS316)



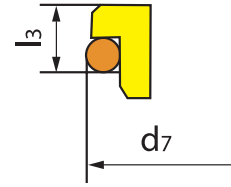
D13



D4
(DIN24250)

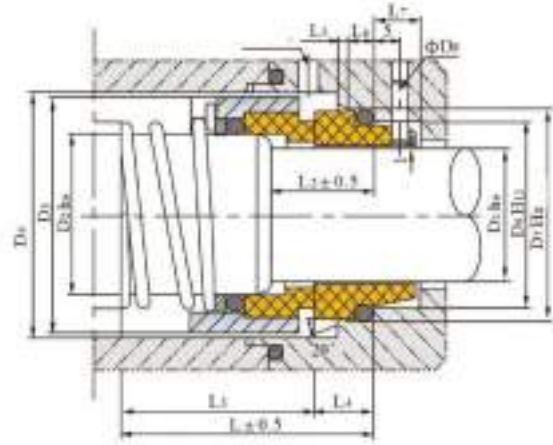


D9
(DIN24960)



D6
(DIN24960)

Seal size d(mm)	d3	D13			D4			D9				D6		
		d ₇	l ₁	l ₃	d ₇	l ₁	l ₃	d ₇	d ₈	l ₁	l ₃	d ₇	l ₁	l ₃
8	18	19.2	11.9	\	19.2	11.9	7.0	\	\	\	\	\	\	\
10	19	19.2	15.5	7.1	19.2	15.5	6.6	21	3	15.5	10	21	15.5	6.6
11	20	\	\	\	\	\	\	\	\	\	\	\	\	\
12	21	21.6	16.0	7.6	21.6	16.0	5.6	23	3	16.0	10	23	16.0	6.6
13	22	\	\	\	\	\	\	\	\	\	\	\	\	\
14	23	24.6	16.5	7.6	24.6	16.5	5.6	25	3	16.5	10	25	16.5	6.6
15	24	24.6	18.0	8.6	24.6	18.0	6.6	\	\	\	\	\	\	\
16	26	28.0	18.0	9.0	28.0	18.0	7.5	27	3	18.0	10	27	18.0	6.6
17	26	\	\	\	\	\	\	\	\	\	\	\	\	\
18	29	30.0	19.5	10.0	30.0	19.5	8.0	33	3	19.5	11.5	33	19.5	7.5
19	31	35.0	22.0	\	35.0	22.0	7.5	\	\	\	\	\	\	\
20	31	35.0	22.0	9.5	35.0	22.0	7.5	35	3	22.0	11.5	35	22.0	7.5
22	33	35.0	21.5	9.5	35.0	21.5	7.5	37	3	21.5	11.5	37	21.5	7.5
23	36	\	\	\	\	\	\	\	\	\	\	\	\	\
24	35	38.0	23.5	9.5	38.0	23.5	7.5	39	3	23.5	11.5	39	23.5	7.5
25	36	38.0	26.5	9.5	38.0	26.5	7.5	40	3	26.5	11.5	40	26.5	7.5
26	37	40.0	26.5	10.0	40.0	26.5	8.0	\	\	\	\	\	\	\
28	40	42.0	26.5	11.0	42.0	26.5	9.0	43	3	26.5	11.5	43	26.5	7.5
30	43	45.0	26.5	11.0	45.0	26.5	10.5	45	3	26.5	11.5	45	26.5	7.5
32	46	48.0	28.5	11.0	48.0	28.5	10.5	48	3	28.5	11.5	48	28.5	7.5
33	47	\	\	11.5	\	\	\	\	\	28.5	\	\	28.5	\
34	48	\	\	\	\	\	\	\	\	\	\	\	\	\
35	49	52.0	28.5	11.5	52.0	28.5	11	50	3	28.5	11.5	50	28.5	7.5
36	50	\	\	\	\	\	\	\	\	\	\	\	\	\
38	53	55.0	33.5	11.5	55.0	33.5	10.3	56	4	33.5	14.0	56	33.5	9.0
40	56	58.0	36.0	11.5	58.0	36.0	10.8	58	4	36	14.0	58	36.0	9.0
42	59	62.0	38.5	14.3	62.0	38.5	12.0	\	\	\	\	\	\	\
43	59	62.0	38.5	14.3	62.0	38.5	12.0	61	4	38.5	14.0	61	38.5	9.0
44	60	\	\	\	\	\	\	\	\	\	\	\	\	\
45	61	64.0	39.5	14.3	64.0	39.5	11.6	63	4	39.5	14.0	63	39.5	9.0
48	64	68.4	46.0	14.3	68.4	46.0	11.6	66	4	46.0	14.0	66	46.0	9.0
50	66	69.3	45.0	14.3	69.3	45.0	11.6	70	4	45.0	15.0	70	45.0	9.5
53	69	\	\	14.3	\	\	\	73	4	47.0	15.0	70	47.0	9.5
55	71	75.4	49.0	15.3	75.4	49.0	13.3	75	4	49.0	15.0	75	49.0	11.0
58	76	78.4	55.0	15.3	78.4	55.0	13.3	78	4	55.0	15.0	78	55.0	11.0
60	78	80.4	55.0	15.3	80.4	55.0	13.3	80	4	55.0	15.0	80	55.0	11.0
63	83	\	\	15.3	\	\	\	83	4	55.0	15.0	83	55.0	11.0
65	84	85.4	55.0	15.3	85.4	55.0	13.0	85	4	55.0	15.0	85	55.0	11.0
68	88	91.5	55.0	16.0	91.5	55.0	13.7	90	4	55.0	18.0	90	55.0	11.3
70	90	92.0	57.0	15.3	92.0	57.0	13.0	92	4	57.0	18.0	92	57.0	11.3
75	98	99.0	62.0	15.3	99.0	62.0	14.0	97	4	62.0	18.0	97	62.0	11.3
80	100	104.0	61.8	16.3	104.0	61.8	15.0	105	4	61.8	18.2	105	61.8	12.0



Çalışma Limitleri

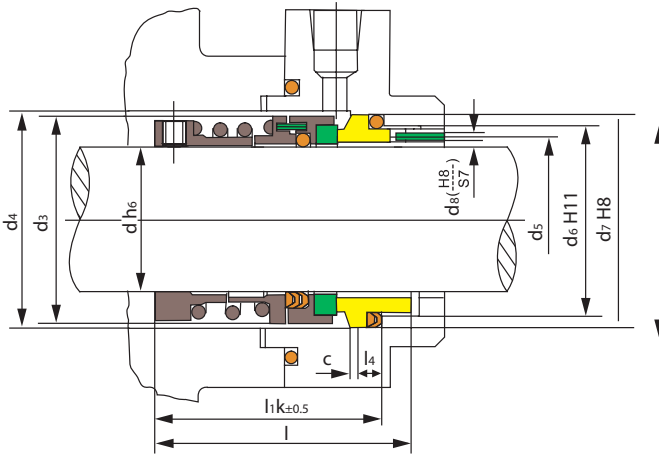
Basınç: $\leq 1\text{MPa}$
 Hız: $\leq 13\text{m/s}$
 Sıcaklık: $-20^{\circ}\text{C} \sim +150^{\circ}\text{C}$

Operating Limits

Pressure: $\leq 1.0\text{MPa}$
 Speed: $\leq 10\text{m/s}$
 Temperature: $-20^{\circ}\text{C} \sim +180^{\circ}\text{C}$

D1	D2	D3	D4	D5	D6	DB	L1	L2	L3	L4	L5	L6	L7	L8	L9	B1
10	14	24	17	21	3	18	50	35.5	18	25.5	1.5	4	8.5	17.5	10.0	8.0
12	16	26	19	23	3	21	50	36.5	18	26.5	1.5	4	8.5	17.5	10.0	8.0
14	18	31	21	25	3	23	55	39.5	18	29.5	1.5	4	8.5	17.5	10.0	8.0
16	20	34	23	27	3	26	55	41.0	18	31.0	1.5	4	8.5	17.5	10.0	8.0
18	22	36	27	33	3	28	55	44.0	20	32.5	2.0	5	9.0	19.5	11.5	8.0
20	24	38	29	35	3	30	60	44.0	20	32.5	2.0	5	9.0	19.5	11.5	8.0
22	26	40	31	37	3	31	60	44.0	20	32.5	2.0	5	9.0	19.5	11.5	8.0
24	28	42	33	39	3	35	60	44.0	20	32.5	2.0	5	9.0	19.5	11.5	8.0
25	30	44	34	40	3	37	60	45.0	20	33.5	2.0	5	9.0	19.5	11.5	8.0
28	33	47	37	43	3	40	65	47.0	20	35.5	2.0	5	9.0	19.5	11.5	8.0
30	35	49	39	45	3	43	65	47.0	20	35.5	2.0	5	9.0	19.5	11.5	8.0
32	38	54	42	48	3	45	65	51.0	20	39.5	2.0	5	9.0	19.5	11.5	7.5
33	38	54	42	48	3	45	65	51.0	20	39.5	2.0	5	9.0	19.5	11.5	7.5
35	40	56	44	50	3	49	65	55.0	20	43.5	2.0	5	9.0	19.5	11.5	8.0
38	43	59	49	56	4	52	75	60.0	23	46.0	2.0	5	9.0	22.0	14.0	7.5
40	45	61	51	58	4	55	75	62.0	23	48.0	2.0	6	9.0	22.0	14.0	8.0
43	48	64	54	61	4	58	75	65.0	23	51.0	2.0	6	9.0	22.0	14.0	8.0
45	50	66	56	63	4	61	75	69.0	23	55.0	2.0	6	9.0	22.0	14.0	(8)
48	53	69	59	66	4	64	85	69.0	25	55.0	2.0	6	9.0	22.0	14.0	8.0
50	55	71	62	70	4	66	85	73.0	25	58.0	2.5	6	9.0	23.0	15.0	8.0
53	58	78	65	73	4	69	85	73.0	25	60.0	2.5	6	9.0	23.0	15.0	8.0
55	60	79	67	75	4	71	85	75.0	25	60.0	2.5	6	9.0	23.0	15.0	8.0
58	63	83	70	78	4	74	85	75.0	25	60.0	2.5	6	9.0	23.0	15.0	8.0
60	65	85	72	80	4	77	95	75.5	25	60.0	2.5	6	9.0	23.0	15.0	8.0
63	68	88	75	83	4	80	95	75.0	25	60.0	2.5	6	9.0	23.0	15.0	8.0
65	70	90	77	85	4	83	95	76.0	25	61.0	2.5	6	9.0	23.0	15.0	10.0
70	75	98	83	92	4	88	95	81.0	28	63.0	2.5	7	9.0	26.0	18.0	10.0
75	80	103	88	97	4	93	105	86.0	28	68.0	2.5	7	9.0	26.0	18.0	10.0
80	85	109	93	105	4	98	105	86.0	28	68.0	3.0	7	9.0	26.2	18.2	10.0

DEMS 390-390A-390B



Çalışma Limitleri

Basınç: 0~1MPa
Hız: ≤20m/s
Sıcaklık: -20°C~+180°C

Operating Limits

Pressure: 0~1MPa
Speed: ≤20m/s
Temperature: -20°C~+180°C

- Döner Yüze (SiC/TC)
- Sabit Eleman (Carbon/SiC/TC)
- Elastomer (EPDM/VITON/PTFE)
- Yay & Diğer Parçalar (SUS304/SUS316)
- Rotary Ring (SiC/TC)
- Stationary Ring (Carbon/SiC/TC)
- Secondary Seal (EPDM/VITON/PTFE)
- Spring & Other Parts (SUS304/SUS316)

Seal size d(mm)	d ₃	d ₄	d ₆	d ₇	d ₅	d ₈	l (±0.5)	l ₁ (±0.5)	l ₄	c
		min								
18	32	34	27	33	23	3	52.0	45.0	5	2.0
20	34	36	29	35	25	3	52.0	45.0	5	2.0
22	36	38	31	37	27	3	53.0	46.0	5	2.0
24	38	40	33	39	29	3	56.0	49.0	5	2.0
25	39	41	34	40	30	3	56.0	49.0	5	2.0
28	42	44	37	43	33	3	56.5	49.5	5	2.0
30	44	46	39	45	35	3	57.0	50.0	5	2.0
32	46	48	42	48	38	3	58.5	51.5	5	2.0
33	47	49	42	48	38	3	58.5	51.5	5	2.0
35	49	51	44	50	40	3	58.5	51.5	5	2.0
38	54	58	49	56	44	4	62.0	55.0	6	2.0
40	56	60	51	58	46	4	62.0	55.0	6	2.0
43	59	63	54	61	49	4	65.0	58.0	6	2.0
45	61	65	56	63	51	4	65.0	58.0	6	2.0
48	64	68	59	66	54	4	66.0	59.0	6	2.0
50	66	70	62	70	57	4	67.0	60.0	6	2.5
53	69	73	65	73	60	4	71.5	64.5	6	2.5
55	71	75	67	75	62	4	73.5	66.5	6	2.5
58	78	83	70	78	65	4	76.5	69.5	6	2.5
60	80	85	72	80	67	4	76.5	69.5	6	2.5
63	83	88	75	83	70	4	78.5	71.5	6	2.5
65	85	90	77	85	72	4	81.5	74.5	6	2.5
68	88	93	81	90	75	4	82.5	75.5	7	2.5
70	90	95	83	92	77	4	86.5	79.5	7	2.5
75	99	104	88	97	82	4	87.0	80.0	7	2.5
80	104	109	95	105	88	4	90.5	83.5	7	3.0
85	109	114	100	110	93	4	90.5	83.5	7	3.0
90	114	119	105	115	98	4	92.5	85.5	7	3.0
95	119	124	110	120	103	4	93.5	86.5	7	3.0
100	124	129	115	125	108	4	93.5	86.5	7	3.0

DEMS 502

Çalışma Limitleri

Basınç: $\leq 4\text{MPa}$

Hız: $\leq 13\text{m/s}$

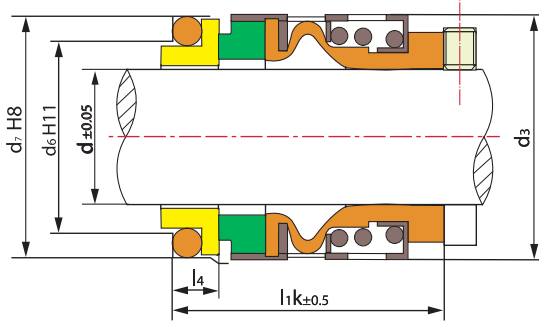
Sıcaklık: $-30^{\circ}\text{C} \sim +200^{\circ}\text{C}$

Operating Limits

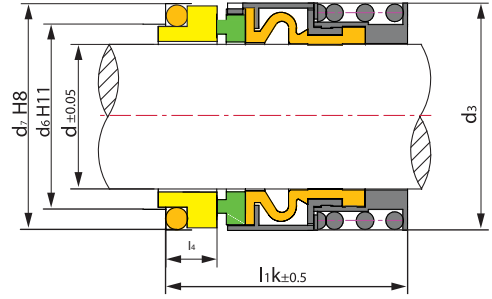
Pressure: $\leq 4\text{MPa}$

Speed: $\leq 13\text{m/s}$

Temperature: $-30^{\circ}\text{C} \sim +200^{\circ}\text{C}$



D: 12-68



D: 70-100

28

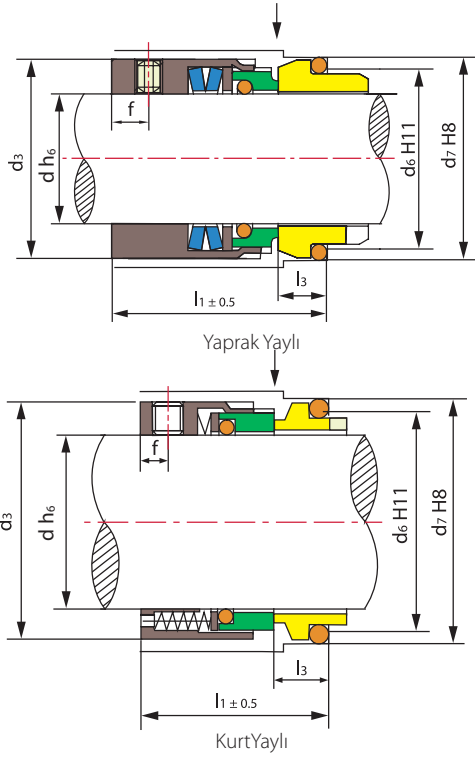
- Döner Yüzey (Carbon/SiC/TC)
- Sabit Eleman (99% Ceramic/SiC/TC)
- Elastomer (VITON/NBR/EPDM)
- Yay ve Diğer Parçalar (SUS304/SUS316)
- Rotary Ring (Carbon/SiC/TC)
- Stationary Ring (99% Ceramic/SiC/TC)
- Secondary Seal (VITON/NBR/EPDM)
- Spring & Other Parts (SUS304/SUS316)

DEMS 502 standart olarak D8 sabiti ile sunulur, alternatif olarak BP ve BC sabitler sunulabilir.

DEMS 502 seal equip with BO seat (DIN24960), Other seats can also be provided, such as BP, BC seat

Seal size d(mm)	d ₃	d ₆	d ₇	l _{1,k}	l ₄
12	22.6	18.5	22.5	32.5	12.0
14	24	21	25	35.0	12.0
16	26	23	27	35.0	12.0
18	32	27	33	37.5	13.5
20	34	29	35	37.5	13.5
22	36	31	37	37.5	13.5
24	38	33	39	40.0	13.3
25	39	34	40	40.0	13.0
28	42	37	43	42.5	12.5
30	44	39	45	42.5	12.0
32	46	42	48	42.5	12.0
33	46	42	48	42.5	12.0
35	49	44	50	42.5	12.0
38	54	49	56	45.0	13.0
40	56	51	58	45.0	13.0
43	59	54	61	45.0	13.0
45	61	56	63	45.0	13.0
48	64	59	66	45.0	13.0
50	66	62	70	47.5	13.5
55	71	67	75	47.5	13.5
60	80	72	80	52.5	13.5
65	85	77	85	52.5	13.5
70	89	83	92	60.0	14.5
75	96	88	97	60.0	14.5
80	104	95	105	60.0	15.0
85	108	100	110	60.0	15.0
90	114	105	115	65.0	15.0
95	118	110	120	65.0	15.0
100	124	115	125	65.0	15.0

DEMS 700-720



Yaprak Yay Wave Spring



Kurt Yaylı Multiple Spring

Çalışma Limitleri

Basınç: $\leq 1.6\text{MPa}$
 Hız: $\leq 20\text{m/s}$
 Sıcaklık: $-30^{\circ}\text{C} \sim +200^{\circ}\text{C}$

Operating Limits

Pressure: $\leq 1.6\text{MPa}$
 Speed: $\leq 20\text{m/s}$
 Temperature: $-30^{\circ}\text{C} \sim +200^{\circ}\text{C}$

DEMS 700 alternatif sabit elemanları D9, D4, D6 ve D13

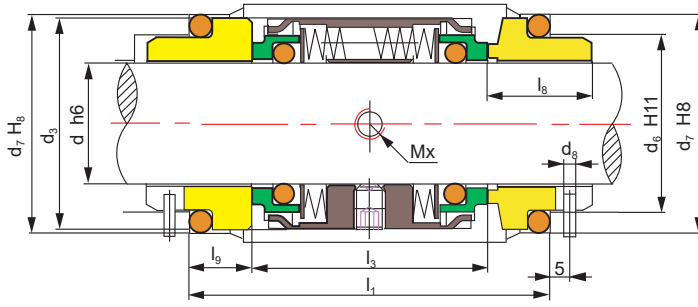
In this table, the seat is D9, D4, D6 and D13 seats are optional.

- Döner Yüzey (SiC/TC/Carbon)
- Sabit Eleman (Carbon/SiC/TC)
- Elastomer (VITON/Encapsulated Ring)
- Metal Aksam (SUS304/SUS316)
- Yay (17-7PH/SUS304/SUS316)
- Rotary Ring (SiC/TC/Carbon)
- Stationary Ring (Carbon/SiC/TC)
- Secondary Seal (VITON/Encapsulated Ring)
- Metal Parts (SUS304/SUS316)
- Spring (17-7PH/SUS304/SUS316)

Seal size d(mm)	d ₃	d ₆	d ₇	l ₁	l ₃
14	25	21	25	35.0	10.0
16	27	23	27	35.0	10.0
18	33	29	33	37.5	11.5
20	35	29	35	37.5	11.5
22	37	31	37	37.5	11.5
24	39	33	39	40.0	11.5
25	40	34	40	40.0	11.5
28	43	37	43	42.5	11.5
30	45	39	45	42.5	11.5
32	47	42	48	42.5	11.5
33	48	42	48	42.5	11.5
35	50	44	50	42.5	11.5
38	55	49	56	45.0	14.0
40	57	51	58	45.0	14.0
43	60	54	61	45.0	14.0
45	62	56	63	45.0	14.0

Seal size d(mm)	d ₃	d ₆	d ₇	l ₁	l ₃
48	65	59	66	45.0	14.0
50	67	62	70	47.5	15.0
53	70	65	73	47.5	15.0
55	72	67	75	47.5	15.0
58	79	70	78	52.5	15.0
60	81	72	80	52.5	15.0
63	84	75	83	52.5	15.0
65	86	77	85	52.5	15.0
68	89	81	90	52.5	18.0
70	91	83	92	60.0	18.0
75	99	88	97	60.0	18.0
80	104	95	105	60.0	18.2
85	109	100	110	60.0	18.2
90	114	105	115	65.0	18.2
95	119	110	120	65.0	17.2
100	124	115	125	65.0	17.2

DEMS 740



Çalışma Limitleri

Basınç: $\leq 1.6\text{MPa}$
 Hız: $\leq 10\text{m/s}$
 Sıcaklık: $-20^{\circ}\text{C} \sim +180^{\circ}\text{C}$

Operating Limits

Pressure: $\leq 1.6\text{MPa}$
 Speed: $\leq 10\text{m/s}$
 Temperature: $-20^{\circ}\text{C} \sim +180^{\circ}\text{C}$

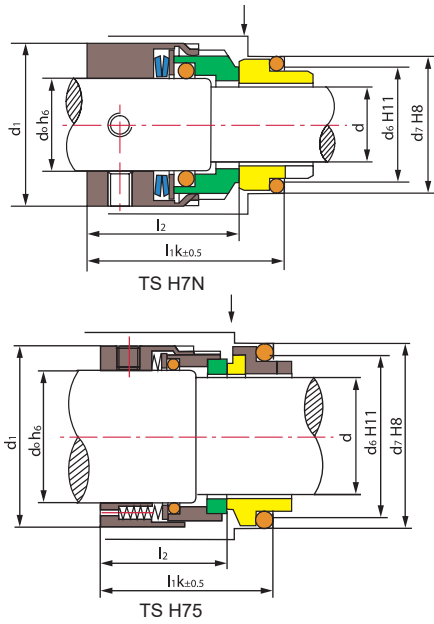
- Döner Yüzey (Carbon/SiC/TC)
- Sabit Eleman (Ceramic/SiC/TC)
- Elastomer (NBR/VITON/EPDM)
- Yay ve Diğer Parçalar (SUS304/SUS316)

- Rotary Ring(SiC/TC)
- Stationary Ring(CARBON/SiC/TC)
- Secondary Seal (NBR/VITON/EPDM)
- Other Parts (SUS304/SUS316)

30

seal size d(mm)	d ₃	d ₆	d ₇	d ₈	l ₁	l ₃	l ₈	l ₉	Mx
18	33	27	33	3	61.0	38	19.5	11.5	M5
20	35	29	35	3	61.0	38	19.5	11.5	M5
22	37	31	37	3	61.0	38	19.5	11.5	M5
24	39	33	39	3	61.0	38	19.5	11.5	M5
25	40	34	40	3	61.0	38	19.5	11.5	M5
28	43	37	43	3	62.0	39	19.5	11.5	M6
30	45	39	45	3	62.0	39	19.5	11.5	M6
32	47	42	48	3	62.0	39	19.5	11.5	M6
33	48	42	48	3	62.0	39	19.5	11.5	M6
35	50	44	50	3	62.0	39	19.5	11.5	M6
38	55	49	56	4	69.0	41	22.0	14.0	M6
40	57	51	58	4	70.0	42	22.0	14.0	M6
43	60	54	61	4	70.0	42	22.0	14.0	M6
45	62	56	63	4	70.0	42	22.0	14.0	M6
48	65	59	66	4	70.0	42	22.0	14.0	M6
50	67	62	70	4	73.0	43	23.0	15.0	M6
53	70	65	73	4	73.0	43	23.0	15.0	M6
55	72	67	75	4	73.0	43	23.0	15.0	M8
58	79	70	78	4	86.0	56	23.0	15.0	M8
60	81	72	80	4	86.0	56	23.0	15.0	M8
63	84	75	83	4	85.0	55	23.0	15.0	M8
65	86	77	85	4	85.0	55	23.0	15.0	M8
68	89	81	90	4	91.0	55	26.0	18.0	M8
70	91	83	92	4	92.0	56	26.0	18.0	M8
75	99	88	97	4	92.0	56	26.0	18.0	M8
80	104	95	105	4	92.5	56	26.2	18.2	M8
85	109	100	110	4	92.5	56	26.2	18.2	M8
90	114	105	115	4	90.5	56	25.2	17.2	M8
95	119	110	120	4	90.5	56	25.2	17.2	M8
100	124	115	125	4	90.5	56	25.2	17.2	M8

DEMS 750



Yaprak Yaylı Wave Spring



Kurt Yaylı Multiple Spring

Çalışma Limitleri

Basınç: $\leq 2.5\text{MPa}$
 Hız: $\leq 20\text{m/s}$
 Sıcaklık: $-20^{\circ}\text{C} \sim +200^{\circ}\text{C}$

Operating Limits

Pressure: $\leq 2.5\text{MPa}$
 Speed: $\leq 20\text{m/s}$
 Temperature: $-20^{\circ}\text{C} \sim +200^{\circ}\text{C}$

- Döner Yüzey (SiC/TC/Carbon)
- Sabit Eleman (Carbon/SiC/TC)
- Elastomer (VITON/Encapsulated Ring)
- Metal Aksam (SUS304/SUS316)
- Yay (17-7PH/SUS304/SUS316)

- Rotary Ring (SiC/TC/Carbon)
- Stationary Ring (Carbon/SiC/TC)
- Secondary Seal (VITON/Encapsulated Ring)
- Metal Parts (SUS304/SUS316)
- Spring (17-7PH/SUS304/SUS316)

Seal size d(mm)	d ₀	d ₁	d ₆	d ₇	l ₂	l _k
25	30	45	34	40	36.0	47.5
28	33	48	37	43	38.5	50.0
30	35	50	39	45	38.5	50.0
33	38	55	42	48	38.5	50.0
35	40	57	44	50	38.5	50.0
38	43	60	49	56	38.5	52.5
40	45	62	51	58	38.5	52.5
43	48	65	54	61	38.5	52.5
45	50	67	56	63	38.5	52.5
48	53	70	59	66	38.5	52.5
50	55	72	62	70	42.5	57.5
53	58	79	65	73	42.5	57.5
55	60	81	67	75	42.5	57.5
60	65	86	72	80	47.5	62.5
65	70	91	77	85	47.5	62.5
70	75	99	83	92	52.0	70.0
75	80	104	88	97	52.0	70.0
80	85	109	95	105	51.8	70.0
85	90	114	100	110	56.8	75.0
90	95	119	105	115	56.8	75.0
95	100	124	110	120	57.8	75.0

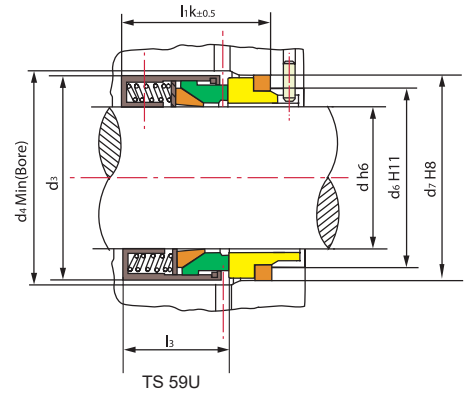
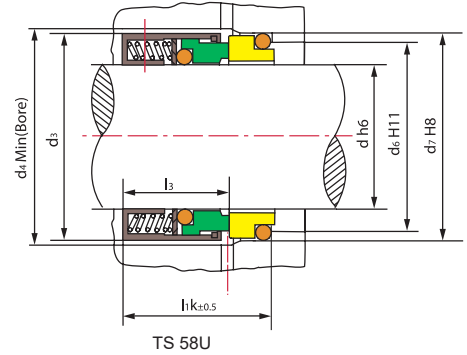
DEMS 900-900 U



D-RINGLI (With O Ring)



V-RINGLI (With Wedge Ring)



Çalışma Limitleri

Basınç: $\leq 1.7\text{MPa}$
 Hız: $\leq 25\text{m/s}$
 Sıcaklık: $-20^{\circ}\text{C} \sim +200^{\circ}\text{C}$

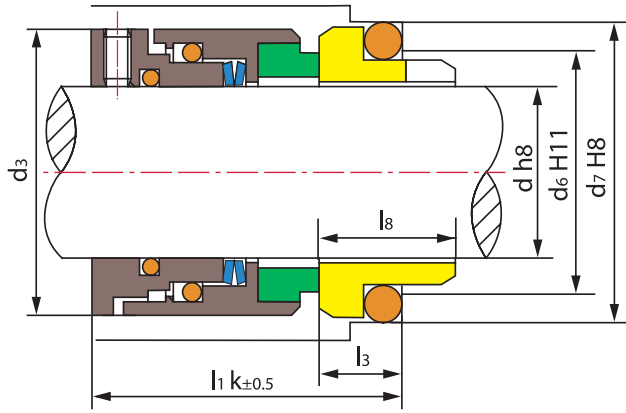
Operating Limits

Pressure: $\leq 1.7\text{MPa}$
 Speed: $\leq 25\text{m/s}$
 Temperature: $-20^{\circ}\text{C} \sim +200^{\circ}\text{C}$

- Döner Yüzey (Carbon/SiC/TC)
- Sabit Eleman (99%Ceramic/SiC/TC)
- Elastomer (VITON/PTFE/Encapsulated Ring)
- Yay ve Diğer Parçalar (SUS304/SUS316)
- Rotary Ring (Carbon/SiC/TC)
- Stationary Ring (99%Ceramic/SiC/TC)
- Secondary Seal (VITON/PTFE/Encapsulated Ring)
- Spring & Other Parts (SUS304/SUS316)

Seal size d(mm)	d ₃	d ₄	l _{1k}	l ₃	d ₆	d ₇	Seal size d(mm)	d ₃	d ₄	l _{1k}	l ₃	d ₆	d ₇	Seal size d(mm)	d ₃	d ₄	l _{1k}	l ₃	d ₆	d ₇
14	24	26	35.0	23.0	21	25	35	49	51	42.5	30.5	44	50	63	83	88	52.5	39.0	75	83
16	26	28	35.0	23.0	23	27	38	54	58	45.0	32.0	49	56	65	85	90	52.5	39.0	77	85
18	32	34	37.5	24.0	27	33	40	56	60	45.0	32.0	51	58	68	88	93	52.5	39.0	81	90
20	34	36	37.5	24.0	29	35	43	59	63	45.0	32.0	54	61	70	90	95	60.0	45.5	83	92
22	36	38	37.5	24.0	31	37	45	61	65	45.0	32.0	56	63	75	95	104	60.0	45.5	88	97
24	38	40	40.0	26.7	33	39	48	64	68	45.0	32.0	59	66	80	104	109	60.0	45.0	95	105
25	39	41	40.0	27.0	34	40	50	66	70	47.5	34.0	62	70	85	109	114	60.0	45.0	100	110
28	42	44	42.5	30.0	37	43	53	69	73	47.5	34.0	65	73	90	114	119	65.0	50.0	105	115
30	44	46	42.5	30.5	39	45	55	71	75	47.5	34.0	67	75	95	119	124	65.0	50.0	110	120
32	46	48	42.5	30.5	42	48	58	78	83	52.5	39.0	70	78	100	124	129	65.0	50.0	115	125
33	47	49	42.5	30.5	42	48	60	80	85	52.5	39.0	72	80							

DEMS 920-920A-920B-920C-920D



Çalışma Limitleri

Basınç: $\leq 2.5\text{MPa}$
 Hız: $\leq 20\text{m/s}$
 Sıcaklık: $-20^{\circ}\text{C} \sim +180^{\circ}\text{C}$

Operating Limits

Pressure: $\leq 2.5\text{MPa}$
 Speed: $\leq 20\text{m/s}$
 Temperature: $-20^{\circ}\text{C} \sim +180^{\circ}\text{C}$

- Döner Yüzey (SiC/TC/Carbon)
- Sabit Eleman (SiC/TC)
- Elastomer (VITON/Encapsulated Ring)
- Metal Aksam (SUS304/SUS316)
- Yaprak Yaylı (17-7PH/SUS304/SUS316)

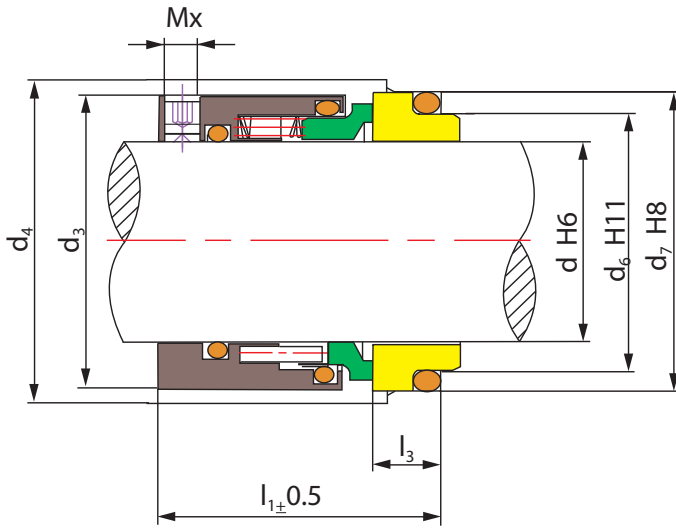
- Rotary Ring (SiC/TC/Carbon)
- Stationary Ring (SiC/TC)
- Secondary Seal (VITON/Encapsulated Ring)
- Metal Parts (SUS304/SUS316)
- Wave Spring (17-7PH/SUS304/SUS316)

Şeker fabrikası, kağıt endüstrisi ve atık endüstrisi gibi yüksek viskoziteli ve partiküllü ortamlara uygundur.

Medium: Liquid with solid particles and high viscosity, such as sugar refinery, paper and sewage industry.

Seal size d(mm)	d ₃	d ₆	d ₇	l ₈	l _{1k}	l ₃		Seal size d(mm)	d ₃	d ₆	d ₇	l ₈	l _{1k}	l ₃
18	32	27	33	15.0	37.5	7		50	66	62	70	17.0	47.5	9.5
20	34	29	35	15.0	37.5	7		53	69	65	73	17.0	47.5	9.5
22	36	31	37	15.0	37.5	7		55	71	67	75	17.0	47.5	9.5
24	38	33	39	15.0	40.0	7		58	78	70	78	18.0	52.5	10.5
25	39	34	40	15.0	40.0	7		60	80	72	80	18.0	52.5	10.5
28	42	37	43	15.0	42.5	7		63	83	75	83	18.0	52.5	10.5
30	44	39	45	15.0	42.5	7		65	85	77	85	18.0	52.5	10.5
32	47	42	48	15.0	42.5	7		68	88	81	90	18.5	52.5	11.0
33	47	42	48	15.0	42.5	7		70	90	83	92	19.0	60.0	11.5
35	49	44	50	15.0	42.5	7		75	99	88	97	19.0	60.0	11.5
38	54	49	56	16.0	45.0	8		80	104	95	105	19.0	60.0	11.5
40	56	51	58	16.0	45.0	8		85	109	100	110	19.0	60.0	11.5
43	59	54	61	16.0	45.0	8		90	114	105	115	20.5	65.0	13.0
45	61	56	63	16.0	45.0	8		95	119	110	120	20.5	65.0	13.0
48	64	59	66	16.0	45.0	8		100	124	115	125	20.5	65.0	13.0

DEMS 920E



Çalışma Limitleri

Basınç: $\leq 1\text{MPa}$
 Hız: $\leq 10\text{m/s}$
 Sıcaklık: $-30^{\circ}\text{C} \sim +180^{\circ}\text{C}$

Operating Limits

Pressure: $\leq 1\text{MPa}$
 Speed: $\leq 10\text{m/s}$
 Temperature: $-30^{\circ}\text{C} \sim +180^{\circ}\text{C}$

- Döner Yüzey (Carbon/SiC/TC)
- Sabit Eleman (99%Ceramic/SiC/TC)
- Elastomer (NBR/VITON/EPDM)
- Yay & Diğer Parçalar (SUS316/Hastalloy-c)

- Rotary Ring (Carbon/SiC/TC)
- Stationary Ring (99%Ceramic/SiC/TC)
- Secondary Seal (NBR/VITON/EPDM)
- Spring & Other Parts (SUS316/Hastalloy-c)

seal size d(mm)	d ₃	d ₄	d ₆	d ₇	l ₁	l ₃	MX
16	29	31	23	27	35.0	5.0	4
18	32	34	27	33	37.5	7.5	4
20	34	36	29	35	37.5	7.5	4
22	36	38	31	37	37.5	7.5	4
24	38	40	33	39	37.5	7.5	4
25	39	41	34	40	37.5	7.5	4
28	42	44	37	43	42.5	7.5	5
30	44	46	39	45	42.5	7.5	5
32	46	48	42	48	42.5	7.5	5
33	47	49	42	48	42.5	7.5	5
35	49	51	44	50	42.5	7.5	5
38	54	58	49	56	44.0	9.0	5
40	56	60	51	58	44.0	9.0	5
43	59	63	54	61	44.0	9.0	5
45	61	65	56	63	44.0	9.0	5
48	64	68	59	66	44.0	9.0	5
50	66	70	62	70	44.5	9.5	5
53	69	73	65	73	46.0	11.0	5
55	71	75	67	75	46.0	11.0	5
60	80	85	72	80	46.0	11.0	5
65	85	90	77	85	46.0	11.0	5
68	88	93	81	90	46.3	11.3	5
70	90	95	83	92	46.3	11.3	5
75	99	104	88	97	59.3	11.3	6
80	104	109	95	105	60.0	12.0	6
85	109	114	100	110	60.0	12.0	6
90	114	119	105	115	62.0	14.0	6
100	124	129	115	125	62.0	14.0	6
110	134	139	125	135	62.0	14.0	6

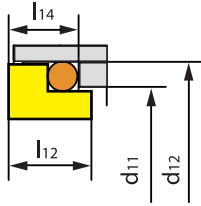
Sabit Elemanlar | Stationary Seats



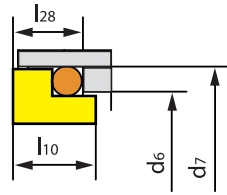
D4/D6



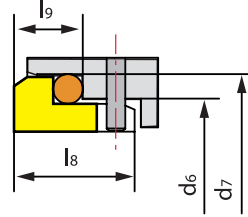
D60



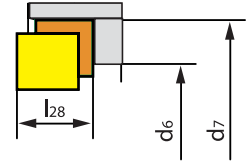
D4
(DIN24250)



D6
(DIN24960)



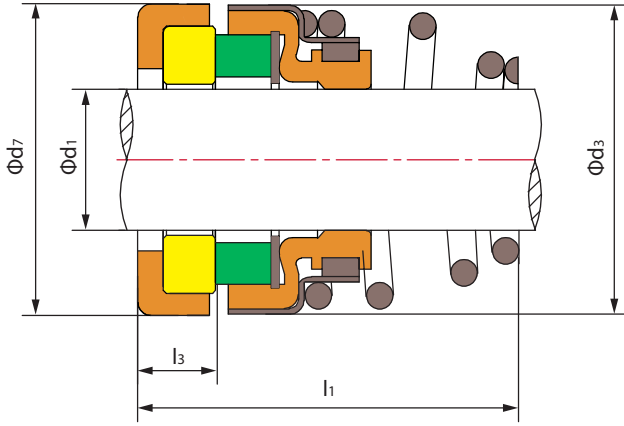
D9
(DIN24960)



D60
(DIN24960)

Seal size d(mm)	d ₂	d ₃	d _{st}	d ₆	d ₇	D4				D9		D6/D60	
						d ₁₁	d ₁₂	l ₁₂	l ₁₄	l ₈	l ₉	l ₁₀	l ₂₈
8	17.5	19.0	23	\	\	\	18.2	\	5.0	\	\	\	\
10	20.5	22.5	24	17	21.0	15.5	19.2	7.5	6.6	17.5	10.0	7.5	6.6
12	22.5	25.0	26	19	23.0	17.5	21.6	6.5	5.6	17.5	10.0	7.5	6.6
14	26.5	28.5	30	21	25.0	20.5	24.6	6.5	5.6	17.5	10.0	7.5	6.6
15	26.5	28.5	30	\	\	20.5	24.6	7.5	6.6	\	\	\	\
16	26.5	28.5	30	23	27.0	22.0	28.0	8.5	7.5	17.5	10.0	7.5	6.6
18	29.0	32.0	33	27	33.0	24.0	30.0	9.0	8.0	19.5	11.5	8.5	7.5
19	33.0	37.0	38	\	\	29.5	35.0	\	\	\	\	\	\
20	33.0	37.0	38	29	35.0	29.5	35.0	8.5	7.5	19.5	11.5	8.5	7.5
22	33.0	37.0	38	31	37.0	29.5	35.0	8.5	7.5	19.5	11.5	8.5	7.5
24	38.0	42.5	44	33	39.0	32.0	38.0	8.5	7.5	19.5	11.5	8.5	7.5
25	38.0	42.5	44	34	40.0	32.0	38.0	8.5	7.5	19.5	11.5	8.5	7.5
28	44.0	49.0	50	37	43.0	36.0	42.0	10.0	9.0	19.5	11.5	8.5	7.5
30	44.0	49.0	50	39	45.0	39.2	45.0	11.5	10.5	19.5	11.5	8.5	7.5
32	46.0	53.5	55	42	48.0	42.2	48.0	11.5	10.5	19.5	11.5	8.5	7.5
33	46.0	53.5	55	42	48.0	44.2	50.0	12.0	10.5	19.5	11.5	8.5	7.5
35	50.0	57.0	59	44	50.0	46.2	52.0	12.0	11.0	19.5	11.5	8.5	7.5
38	53.0	59.0	61	49	56.0	49.2	55.0	11.3	10.3	22.0	14.0	10.0	9.0
40	55.0	62.0	64	51	58.0	52.2	58.0	11.8	10.8	22.0	14.0	10.0	9.0
42	58.0	65.5	67	\	\	53.3	62.0	13.2	12.0	\	\	\	\
43	58.0	65.5	67	54	61.0	53.3	62.0	13.2	12.0	22.0	14.0	10.0	9.0
45	60.0	68.0	70	56	63.0	55.3	64.0	12.8	11.6	22.0	14.0	10.0	9.0
48	63.0	70.5	74	59	66.0	59.7	68.4	12.8	11.6	22.0	14.0	10.0	9.0
50	65.0	74.0	77	62	70.0	60.8	69.3	12.8	11.6	23.0	15.0	10.5	9.5
53	70.0	78.5	81	65	73.0	63.8	72.3	13.5	12.3	23.0	15.0	12.0	11.0
55	72.0	81.0	83	67	75.0	66.5	75.4	14.5	13.3	23.0	15.0	12.0	11.0
58	75.0	85.5	88	70	78.0	69.5	78.4	14.5	13.3	23.0	15.0	12.0	11.0
60	79.0	88.5	91	72	80.0	71.5	80.4	14.5	13.3	23.0	15.0	12.0	11.0
65	84.0	93.5	96	77	85.0	76.5	85.4	14.2	13.0	23.0	15.0	12.0	11.0
68	88.0	96.5	100	81	90.0	82.7	91.5	14.9	13.7	26.0	18.0	12.5	11.3
70	90.0	99.5	103	83	92.0	83.0	92.0	14.2	13.0	26.0	18.0	12.5	11.3
75	95.0	107.0	110	88	97.0	90.2	99.0	15.2	14.0	26.0	18.0	12.5	11.3
80	100.0	112.0	116	95	105.0	95.2	104.0	16.2	15.0	26.2	18.2	13.0	12.0
85	107.0	120.0	124	100	110.0	100.2	109.0	16.0	14.8	26.2	18.2	15.0	14.0
90	114.0	127.0	131	105	115.0	105.2	114.0	16.0	14.8	26.2	18.2	15.0	14.0
95	119.0	132.0	136	110	120.0	111.6	120.3	17.0	15.8	27.2	19.2	15.0	14.0
100	124.0	137.0	140	115	125.0	114.5	123.3	17.0	15.8	27.2	19.2	15.0	14.0

DEMS 9-912



Çalışma Limitleri

Basınç: $\leq 1.0\text{MPa}$
 Hız: $\leq 10\text{m/s}$
 Sıcaklık: $-30^{\circ}\text{C} \sim +180^{\circ}\text{C}$

Operating Limits

Pressure: $\leq 1.0\text{MPa}$
 Speed: $\leq 10\text{m/s}$
 Temperature: $-30^{\circ}\text{C} \sim +180^{\circ}\text{C}$

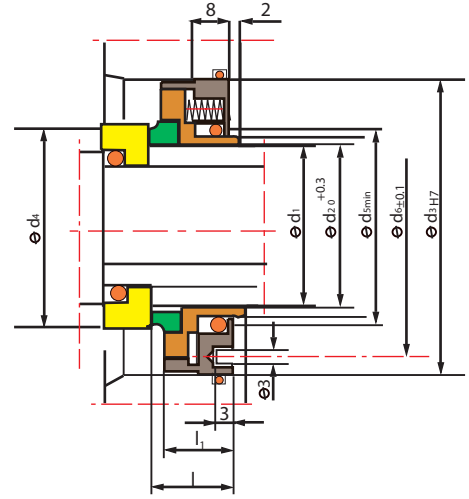
- Döner Yüzey (Carbon/SiC/TC)
- Sabit Eleman (Ceramic/SiC/TC)
- Elastomer (NBR/VITON/EPDM)
- Yay ve Diğer Parçalar (SUS304/SUS316)

- Rotary Ring(Carbon/SiC/TC)
- Stationary Ring(Ceramic/SiC/TC)
- Secondary Seal(NBR/ VITON/EPDM)
- Spring & Other Parts(SUS304/SUS316)

36

Model	d ₁	d ₃	d ₇	l ₁	l ₃
912-20	20	32	35	37.5	7.5
912-22	22	33.5	37	37.5	7.5
912-24	24	37	39	40	7.5
912-25	25	38	40	40	7.5
912-28	28	41	43	42.5	7.5
912-30	30	43	45	42.5	7.5
912-32	32	45	48	42.5	7.5
912-33	33	46	48	42.5	7.5
912-35	35	48	50	42.5	7.5
912-38	38	52.5	56	45	9
912-40	40	55.5	58	45	9
912-45	45	60.5	63	45	9
912-48	48	64	66	45	9
912-50	50	66	70	47.5	9.5
912-53	53	69	73	47.5	11
912-55	55	71	75	47.5	11
901-1 1/8"	28.575	41	44.45	52.37	11.1
901-1 3/8"	34.925	48	50.8	53.95	11.1
901-1 1/2"	38.1	52.5	54	53.95	11.1
901-1 3/4"	44.45	60.5	63.5	63.5	12.7

DEMS H10



Balanslı tasarım, Ultra ince yapı, Dönüş yönünden bağımsız ve Yüksek hızlı

Balance design , Ultra short structure , Arbitrary rotation direction and high speed

Basınç : $\leq 1.2 \text{MPa}$

Hız : $\leq 10 \text{m/s}$

Sıcaklık : $-20^\circ\text{C} \sim +180^\circ\text{C}$

Pressure : $\leq 2.5 \text{MPa}$

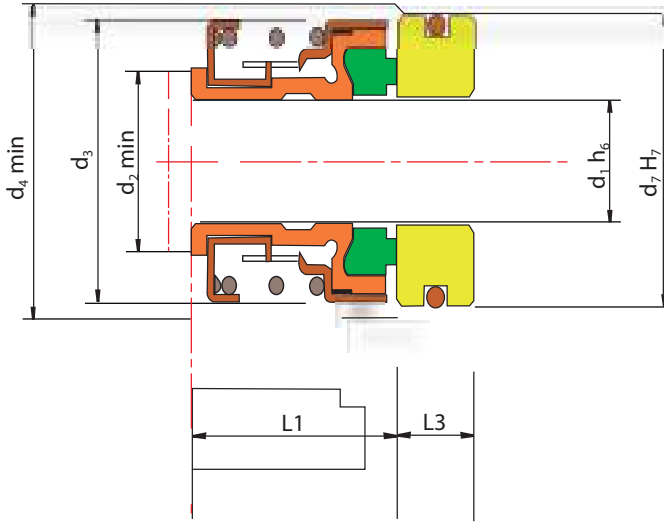
Speed : $\leq 35 \text{m/s}$

Temperature : $-20^\circ\text{C} \sim +180^\circ\text{C}$

- Döner Yüzey (Graphite/SiC/TC)
- Sabit Eleman (SiC/TC)
- Elastomer (VITON/Kalrez)
- Yay ve Diğer Parçalar (SUS304/SUS316)
- Rotary Ring (Graphite/SiC/TC)
- Stationary Ring (SiC/TC)
- Secondary Seal (VITON/Kalrez)
- Spring & Other Parts(SUS304/SUS316)

d ₁	d ₂	d ₃	d ₄	d ₅	d ₆	l _{0.5}	l ₁
15	16	42	22.6	21	34	17	15
18	19	45	25.6	24	37	17	15
20	21	48	27.6	26	40	17	15
22	23	50	29.6	28	42	17	15
25	26	52	32.8	31	44	17	15
28	29	55	35.8	34	47	17	15
30	31	58	37.8	36	50	17	15
32	33	60	39.8	38	52	17	15
35	36	62	42.8	41	54	17	15
38	39	65	45.9	44	57	17	15
40	41	68	47.9	46	60	17	15
42	43	72	49.9	48	64	17	15
45	46	75	52.9	51	67	17	15
48	49	80	55.9	54	72	17	15
50	51	80	58.2	56	72	17	15
52	53	82	60.2	58	74	17	15
55	56	85	63.2	61	77	17	15
58	59	90	66.7	64	82	17	15
60	61	90	68.7	66	82	17	15
65	66	95	73.7	71	87	19	16
68	69	100	76.7	74	92	19	16.5
70	71	100	78.7	76	92	19	16.5
75	76	108	83.7	81	100	19	16.5
80	81	112	88.7	86	104	19	16.5
85	86	118	93.7	91	110	19	16.5
90	91	122	99.5	96	114	19	16.5
95	96	128	104.5	101	120	19	16.5
100	101	132	109.5	106	124	19	16.5

DEMS 2115



Çalışma Limitleri

Basınç: ≤ 4 MPa
 Hız: ≤ 15 m/s
 Sıcaklık: $-30^{\circ}\text{C} \sim +150^{\circ}\text{C}$

Operating Limits

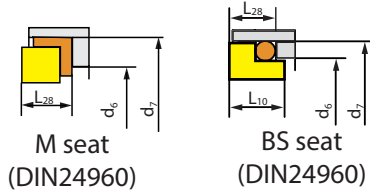
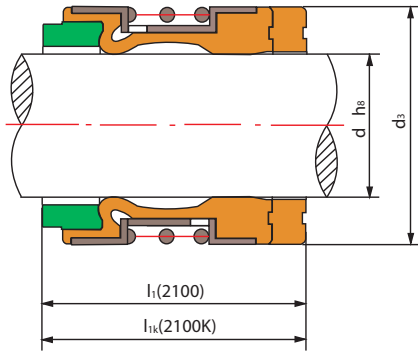
Pressure: ≤ 4 MPa
 Speed: ≤ 15 m/s
 Temperature: $-30^{\circ}\text{C} \sim +150^{\circ}\text{C}$

38

- Döner Yüzey (Carbon/SiC/TC)
- Sabit Eleman (Ceramic/SiC/TC)
- Elastomer (NBR/EPDM/VITON)
- Yay ve Diğer Parçalar (SUS304/SUS316)
- Rotary Ring(Graphite/SiC/TC)
- Stationary Ring(SiC/TC)
- Secondary Seal(EPDM/VITON)
- Spring & Other Parts(SUS304/SUS316)

Model	d_1 (inches)	d_2	d_3	d_4	d_7	L_3	L_1
7/16"	11.1	14	23.2	25.0	30	8.7	18
1/2"	12.7	16.7	24.0	26.0	25.4	7.9	20.62
5/8"	15.875	19.4	27.0	28.0	31.75	10.3	22.23
3/4"	19.05	23.8	32.0	34.0	34.93	10.3	22.23
7/8"	22.225	27	36.0	38.0	38.1	10.3	23.8
1"	25.4	30	39.0	41.0	41.28	11.1	25.4
1 1/8"	28.575	33.5	42.0	44.0	44.45	11.1	26.97
1 1/4"	31.75	37	46.0	48.0	47.63	11.1	26.97
1 3/8"	34.925	40.5	49.5	51.0	50.8	11.1	28.58
1 1/2"	38.1	43.5	54.0	58.0	53.98	11.1	30.15
1 5/8"	41.275	47	56.5	60.0	60.33	12.7	34.93
1 3/4"	44.45	50.5	61.0	65.0	63.5	12.7	34.93
1 7/8"	47.625	54	64.0	68.0	66.68	12.7	38.1
2	50.8	57	67.5	70.0	69.85	12.7	38.1

DEMS 210



210



210K



M Seat



BS Seat

Çalışma Limitleri

Basınç: $\leq 1.6\text{MPa}$
 Hız: $\leq 15\text{ m/s}$
 Sıcaklık: $-30^{\circ}\text{C} \sim +150^{\circ}\text{C}$

Operating Limits

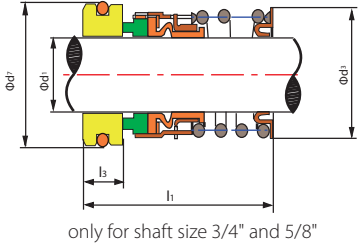
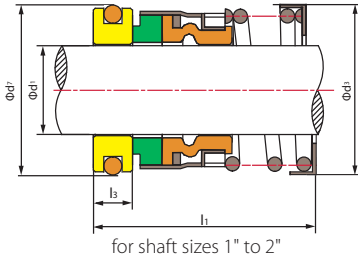
Pressure: $\leq 1.6\text{MPa}$
 Speed: $\leq 15\text{ m/s}$
 Temperature: $-30^{\circ}\text{C} \sim +150^{\circ}\text{C}$

- Döner Yüzey (Carbon/SiC/TC)
- Sabit Eleman (Ceramic/SiC/TC)
- Elastomer (NBR/EPDM/VITON)
- Yay ve Diğer Parçalar (SUS304/SUS316)

- Rotary Ring(Carbon/SiC/TC)
- Stationary Ring(Ceramic/SiC/TC)
- Secondary Seal(NBR/EPDM/VITON)
- Spring & Other Parts(SUS304/SUS316)

Seal size d(mm)	d ₃	d ₆	d ₇	2100	2100K	M seat	BS seat
				l ₁	l _{1k}	l ₂₈	l ₁₀
10	20	17	21	15	27.5	5	6.0
12	22	19	23	15	26.5	6	6.8
14	24	21	25	15	29.0	6	6.8
15	25	22	26	15	29.0	6	6.8
16	26	23	27	15	29.0	6	6.8
18	32	27	33	20	31.5	6	7.0
20	34	29	35	20	31.5	6	7.0
22	36	31	37	20	31.5	6	7.0
24	38	33	39	20	34.0	6	7.0
25	39	34	40	20	34.0	6	7.0
28	42	37	43	26	36.5	6	7.0
30	44	39	45	26	35.5	7	8.0
32	46	42	48	26	35.5	7	8.0
33	47	42	48	26	35.5	7	8.0
35	49	44	50	26	34.5	8	9.0
38	54	49	56	30	37.0	8	9.0
40	56	51	58	30	37.0	8	9.0
43	59	54	61	30	37.0	8	9.0
45	61	56	63	30	37.0	8	9.0
48	64	59	66	30	35.0	10	11.0
50	66	62	70	30	37.5	10	11.0
53	69	65	73	30	37.5	10	11.0
55	71	67	75	30	37.5	10	11.0
60	80	72	80	33	40.5	12	12.7
65	85	77	85	33	40.5	12	12.7
70	90	83	92	33	48.0	12	12.7
75	99	88	97	40	48.0	12	12.7

DEMS T1



Torna | Machine



Sivama | Punch

Çalışma Limitleri

Basınç: $\leq 2.8\text{MPa}$
 Hız: $\leq 13\text{ m/s}$
 Sıcaklık: $-30^{\circ}\text{C} \sim +200^{\circ}\text{C}$

Operating Limits

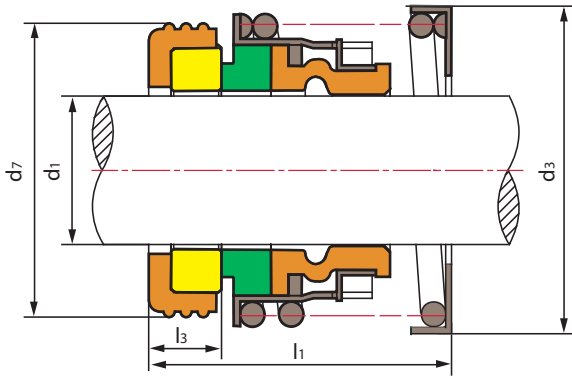
Pressure: $\leq 2.8\text{MPa}$
 Speed: $\leq 13\text{ m/s}$
 Temperature: $-30^{\circ}\text{C} \sim +200^{\circ}\text{C}$

- Döner Yüzey (Carbon/SiC/TC)
- Sabit Eleman (Ceramic/SiC/TC)
- Elastomer (NBR/EPDM/VITON)
- Yay ve Diğer Parçalar (SUS304/SUS316)

- Rotary Ring(Carbon/SiC/TC)
- Stationary Ring(Ceramic/SiC/TC/SUS304)
- Secondary Ring(NBR/EPDM/VITON)
- Spring & Other Parts(SUS304/SUS316)

Model	d ₁ (inches)	d ₃	d ₇	l ₁	l ₃
T1-5/8"	15.875	27.8	31.75	43.6	10.3
T1-3/4"	19.05	30.9	34.925	43.6	10.3
T1-1 "	25.400	38.1	41.275	50.77	11.1
T1-1 1/8"	28.575	41.5	44.450	52.40	11.1
T1-1 1/4"	31.750	46.0	47.625	52.40	11.1
T1-1 3/8"	34.925	47.6	50.800	53.90	11.1
T1-1 7/16"	36.500	50.8	53.975	53.90	11.1
T1-1 1/2"	38.100	50.8	53.975	53.90	11.1
T1-1 5/8"	41.275	57.2	60.325	63.50	12.7
T1-1 3/4"	44.450	60.5	63.500	63.50	12.7
T1-1 7/8"	47.625	63.5	66.675	66.70	12.7
T1-2"	50.800	66.7	69.850	66.70	12.7
T1-2 1/8"	53.975	71.4	76.200	74.60	14.3
T1-2 1/4"	57.150	74.6	79.375	74.60	14.3
T1-2 3/8"	60.325	77.8	82.550	77.80	14.3
T1-2 1/2"	63.500	81.0	85.725	77.80	14.3
T1-2 5/8"	66.675	85.7	85.725	85.75	15.9
T1-2 3/4"	69.850	88.9	88.900	85.75	15.9
T1-2 7/8"	73.025	92.0	95.250	88.90	15.9
T1-3"	76.200	95.2	98.425	88.90	15.9
T1-3 1/2"	88.9	111.1	111.1	99.18	19.8

DEMS T2



Çalışma Limitleri

Basınç: $\leq 2.8\text{MPa}$
 Hız: $\leq 13\text{ m/s}$
 Sıcaklık: $-30^{\circ}\text{C} \sim +200^{\circ}\text{C}$

Operating Limits

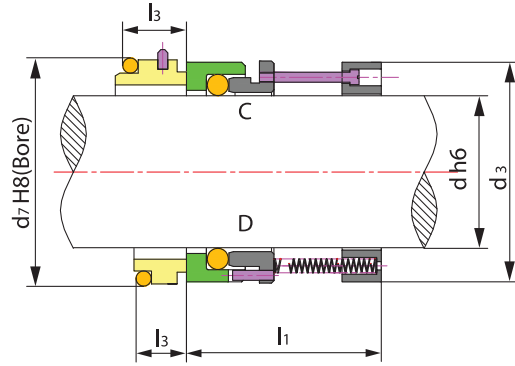
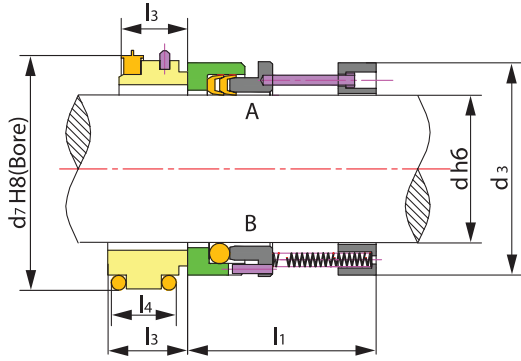
Pressure: $\leq 2.8\text{MPa}$
 Speed: $\leq 13\text{ m/s}$
 Temperature: $-30^{\circ}\text{C} \sim +200^{\circ}\text{C}$

- Döner Yüzey (Carbon/SiC/TC)
- Sabit Eleman (Ceramic/SiC/TC)
- Elastomer (NBR/EPDM/VITON)
- Yay ve Diğer Parçalar (SUS304/SUS316)

- Rotary Ring(Carbon/SiC/TC)
- Stationary Ring(Ceramic/SiC/TC)
- Secondary Seal(NBR/EPDM/VITON)
- Spring & Other Parts(SUS304/SUS316)

Model	d ₁ (inches)	d ₃	d ₇	l ₁	l ₃
T2-1"	25.400	46.00	41.275	36.50	11.10
T2-1 1/8"	28.575	49.20	44.450	38.10	11.10
T2-1 1/4"	31.750	52.40	47.625	38.10	11.10
T2-1 3/8"	34.925	57.20	50.800	39.70	11.10
T2-1 1/2"	38.100	60.30	53.975	39.70	11.10
T2-1 5/8"	41.275	69.00	60.325	47.63	12.70
T2-1 3/4"	44.450	69.90	63.500	47.63	12.70
T2-1 7/8"	47.625	73.00	66.675	50.80	12.70
T2-2"	50.800	76.20	69.850	50.80	12.70
T2-2 1/8"	53.975	82.50	76.200	57.15	14.30
T2-2 1/4"	57.150	85.70	79.375	57.15	14.30
T2-2 3/8"	60.325	88.90	82.550	60.30	14.30
T2-2 1/2"	63.500	94.00	85.725	60.30	14.30
T2-3"	76.200	107.95	98.425	68.28	15.90
T2-4"	101.600	141.28	123.830	78.57	19.84

DEMS 57U



Çalışma Limitleri

Basınç: $\leq 1.2\text{MPa}$
 Hız: $\leq 20\text{m/s}$
 Sıcaklık: $-30^{\circ}\text{C} \sim +200^{\circ}\text{C}$

Operating Limits

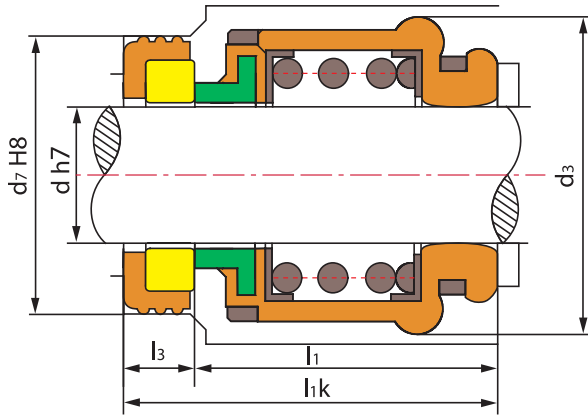
Pressure: $\leq 1.2\text{MPa}$
 Speed: $\leq 20\text{m/s}$
 Temperature: $-30^{\circ}\text{C} \sim +200^{\circ}\text{C}$

- Döner Yüzey (99% Ceramic/SiC/TC)
- Sabit Eleman (Carbon/SiC)
- Elastomer (PTFE/VITON)
- Yay & Vida (SUS304/SUS316)
- Diğer Parçalar (SUS304/SUS316)
- Pin ve Vida Seti (SUS304/SUS316)

- Rotary Ring (99% Ceramic/SiC/TC)
- Stationary Ring (Carbon/SiC)
- Secondary Seal (PTFE/VITON)
- Spring & Screw (SUS304/SUS316)
- Other Parts (SUS304/SUS316)
- Pin And Set Screw (SUS304/SUS316)

Seal size d(mm)	d	d ₃	d ₇	l ₁	l ₃	l ₄	Type
25	25.0	39.0	50.0	34.0	19.5	\	C
28	28.0	45.0	54.0	30.2	28.0	21.3	B
35	35.0	52.0	64.0	32.5	28.0	21.3	B
40	40.0	57.0	70.0	32.0	28.0	21.3	B
55	55.0	73.0	75.0	30.0	16.5	\	D
60A	60.0	78.0	92.0	40.0	27.0	21.6	B
60B	60.0	78.0	92.0	44.0	27.0	21.6	B

Seal size (inches)	d	d ₃	d ₇	l ₁	l ₃	l ₄	Type
1 1/4"	31.75	46.0	50.800	42.0	26.5	\	D
1 3/8"	34.925	49.2	53.975	35.7	20.8	\	C
1 5/8"	41.275	58.5	60.325	45.0	16.2	\	D
1 3/4"	44.450	60.0	62.000	44.0	20.5	\	A
1 7/8"	47.625	65.0	66.675	38.9	20.8	\	C
2 1/8"	53.975	71.2	71.400	43.0	20.8	\	A



Operating Limits

Basınç: 0~1MPa
Hız: ≤13m/s
Sıcaklık: -30°C~+200°C

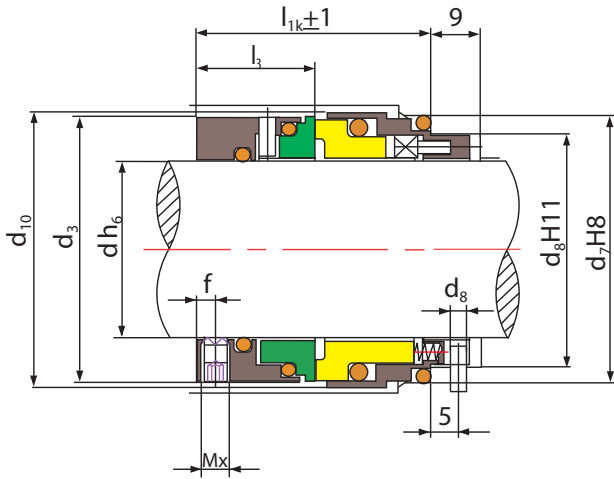
Operating Limits

Pressure: 0~1MPa
Speed: ≤13m/s
Temperature: -30°C~+200°C

- Döner Yüzey (Carbon/SiC/TC)
- Sabit Eleman (Ceramic/SiC/TC)
- Elastomer (NBR/EPDM/VITON)
- Körük (NBR/EPDM/VITON)
- Kep (NBR/EPDM/VITON)
- Diğer Parçalar (SUS304/SUS316)
- Rotary Ring (Carbon/SiC/TC)
- Stationary Ring (Ceramic/SiC/TC)
- Secondary Seal (NBR/EPDM/VITON)
- Bellows(NBR/EPDM/VITON)
- Cup Gasket(NBR/EPDM/VITON)
- Other Parts (SUS304/SUS316)

Seal size d(mm)	d	d ₃	d ₇	l _{1k}	l ₁	l ₃
28	28	50.0	44	40.0	30.0	10.0
35	35	64.0	54	45.5	35.5	10.0
50	50	74.5	70	57.4	45.2	12.2

Seal size (inches)	d	d ₃	d ₇	l _{1k}	l ₁	l ₃
1 1/8"	28.575	50.0	44.450	41.1	30.0	11.1
1 1/2"	38.100	66.0	53.975	45.5	35.5	10.0
2"	50.800	75.5	69.850	58.2	45.2	13.0



Çalışma Limitleri

Basınç: $\leq 2.5\text{MPa}$
 Hız: $\leq 20\text{m/s}$
 Sıcaklık: $-20^{\circ}\text{C} \sim +180^{\circ}\text{C}$

Operating Limits

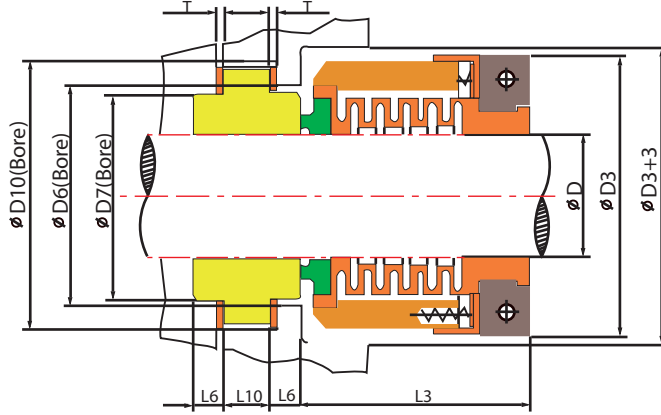
Pressure: $\leq 2.5\text{MPa}$
 Speed: $\leq 20\text{m/s}$
 Temperature: $-20^{\circ}\text{C} \sim +180^{\circ}\text{C}$

- Döner Yüzey (Carbon/SiC/TC)
- Sabit Eleman (Carbon/SiC/TC)
- Elastomer (NBR/VITON/EPDM)
- Yay & Diğer Parçalar (SUS316/Hastalloy-c)

- Rotary Ring (Carbon/SiC/TC)
- Stationary Ring (Carbon/SiC/TC)
- Secondary Seal (NBR/VITON/EPDM)
- Spring & Other Parts (SUS316/Hastalloy-c)

Seal size d(mm)	d ₃	d ₆	d ₇	d ₈	d ₁₀	l _{1k}	l ₃	f	Mx
18	33	27	33	3	34.7	37.5	19.5	3.0	4
20	35	29	35	3	36.7	37.5	19.5	3.0	4
22	37	31	37	3	38.7	37.5	19.5	3.0	4
24	39	33	39	3	40.7	40.0	20.5	3.5	5
25	40	34	40	3	41.7	40.0	20.5	3.5	5
28	43	37	43	3	44.7	42.5	21.5	3.5	5
30	45	39	45	3	46.7	42.5	21.5	3.5	5
32	48	42	48	3	49.7	42.5	21.5	3.5	5
33	48	42	48	3	49.7	42.5	21.5	3.5	5
35	50	44	50	3	51.7	42.5	21.5	3.5	5
38	56	49	56	4	57.7	45.0	24.0	4.0	6
40	58	51	58	4	59.7	45.0	24.0	4.0	6
43	61	54	61	4	62.7	45.0	24.0	4.0	6
45	63	56	63	4	64.7	45.0	24.0	4.0	6
48	66	59	66	4	67.7	45.0	24.0	4.0	6
50	70	62	70	4	71.7	47.5	25.0	4.0	6
53	73	65	73	4	74.7	47.5	25.0	4.0	6
55	75	67	75	4	76.7	47.5	25.0	4.0	6
58	78	70	78	4	80.5	52.5	28.0	4.0	6
60	80	72	80	4	82.5	52.5	28.0	4.0	6
63	83	75	83	4	85.5	52.5	28.0	4.0	6
65	85	77	85	4	87.5	52.5	28.0	4.0	6
68	90	81	90	4	92.5	52.5	28.0	4.0	6
70	92	83	92	4	94.5	60.0	34.0	6.0	8
75	97	88	97	4	100.5	60.0	34.0	6.0	8
80	105	95	105	4	108.5	60.0	34.0	6.0	8
85	110	100	110	4	113.5	60.0	34.0	6.0	8
90	115	105	115	4	118.5	65.0	39.0	10.0	8
95	120	110	120	4	123.5	65.0	39.0	10.0	8
100	125	115	125	4	128.5	65.0	39.0	10.0	8

DEMS 10T - 10R



10T yekpare döner yüzey, 10R ring geçme yüzey
10T is integral rotary face, 10R is insert rotary face

Operating Limits

Basınç: $\leq 1.3\text{MPa}$
 Hız: $\leq 15\text{m/s}$
 Sıcaklık: $-35^\circ\text{C} \sim +120^\circ\text{C}$

Operating Limits

Pressure: $\leq 1.3\text{MPa}$
 Speed: $\leq 15\text{m/s}$
 Temperature: $-35^\circ\text{C} \sim +120^\circ\text{C}$

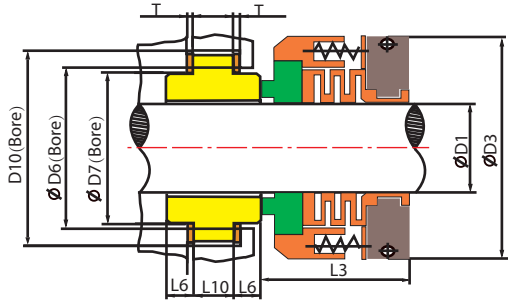
- Döner Yüzey (Filled PTFE/SiC)
- Sabit Eleman (99% Ceramic/SiC)
- Elastomer (PTFE)
- Yay & Diğer Parçalar (SUS304/SUS316 /Titanium/Hastelloy-C)

- Rotary Ring (Filled PTFE/SiC)
- Stationary Ring (99% Ceramic/SiC)
- Secondary Seal (PTFE)
- Spring & Other Parts (SUS304/SUS316 /Titanium/Hastelloy-C)

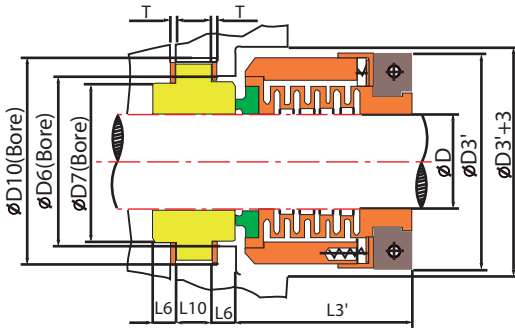
45

D(mm)	D(in)	D3	D6	D7	D10	L3	L6	L10	T
16	0.750	54	37.5	36.51	48	31	4.8	8	0.8
18		54	37.5	36.51	48	31	4.8	8	0.8
20	0.875	57	40.5	39.69	51	31	4.8	8	0.8
22		57	40.5	39.69	51	31	4.8	8	0.8
24	1.000	61	43.5	42.86	54	33	4.8	8	0.8
25		61	43.5	42.86	54	33	4.8	8	0.8
28	1.125	67	51.5	50.8	61	36	5.5	9.5	1.6
30	1.250	70	55	53.98	68	37	6.4	9.5	1.6
32		70	55	53.98	68	37	6.4	9.5	1.6
33	1.375	73	58	57.15	71	38	6.4	9.5	1.6
35		73	58	57.15	71	38	6.4	9.5	1.6
38	1.500	76	64.5	63.5	77	38	6.4	9.5	1.6
40	1.625	80	67.5	66.68	80	40	6.4	9.5	1.6
43	1.750	83	71	69.85	83	40	6.4	9.5	1.6
45		83	71	69.85	83	40	6.4	9.5	1.6
	1.875	86	74	73.03	90	43	6.4	12.7	1.6
48	2.000	89	80	79.38	96	43	6.4	12.7	1.6
50		89	80	79.38	96	43	6.4	12.7	1.6
53	2.125	103	83.5	82.55	99	53	6.4	12.7	1.6
55	2.250	107	86.5	85.73	102	53	6.4	12.7	1.6
58	2.375	110	89.5	88.9	106	53	6.4	12.7	1.6
60		110	89.5	88.9	106	53	6.4	12.7	1.6
63	2.500	113	93	92.08	109	53	6.4	12.7	1.6
65	2.625	116	96	95.25	112	53	6.4	12.7	1.6
68	2.750	118	99	98.43	115	53	6.4	12.7	1.6
70		118	99	98.43	115	53	6.4	12.7	1.6
	2.875	122	102.5	101.6	118	53	6.4	12.7	1.6
75	3.000	126	104	103.17	120	53	6.4	12.7	1.6
80	3.250	150	115	114.3	131	73	6.4	12.7	1.6
85	3.500	156	121.5	120.65	137	73	6.4	12.7	1.6
90	3.750	163	128	127	144	73	6.4	12.7	1.6
95		163	128	127	144	73	6.4	12.7	1.6
100	4.000	169	137.5	136.53	153	73	6.4	12.7	1.6

DEMS 20T - 20R



TS20



TS20R



Çalışma Limitleri

Basınç: $\leq 1\text{MPa}$
 Hız: $\leq 13\text{m/s}$
 Sıcaklık: $-35^{\circ}\text{C} \sim +120^{\circ}\text{C}$

Operating Limits

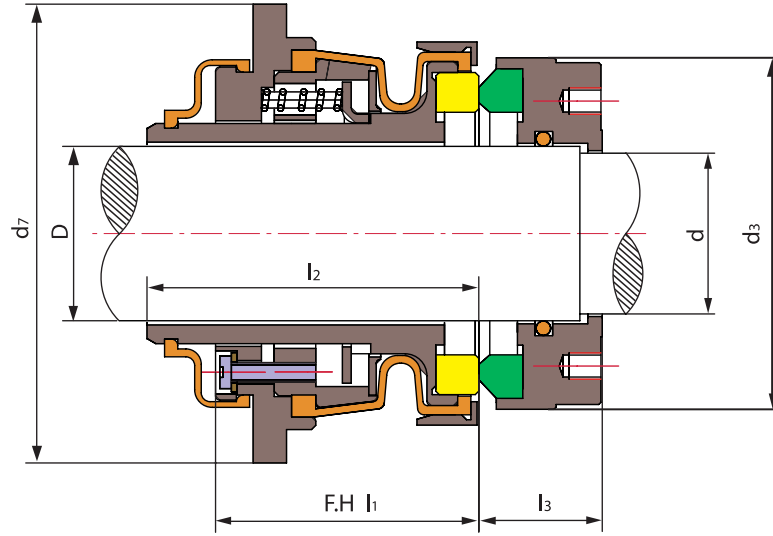
Pressure: $\leq 1\text{MPa}$
 Speed: $\leq 13\text{m/s}$
 Temperature: $-35^{\circ}\text{C} \sim +120^{\circ}\text{C}$

20T yekpare döner yüzey, 20R ring geçme yüzey

20T is integral rotary face, 20R is insert rotary face

- Döner Yüzey (Filled PTFE/SiC)
- Sabit Eleman (99% Ceramic/SiC)
- Elastomer (PTFE)
- Yay & Diğer Parçalar (SUS304/SUS316/ Titanium/Hastelloy-C)
- Rotary Ring (Filled PTFE/SiC)
- Stationary Ring (99% Ceramic/SiC)
- Secondary Seal (PTFE)
- Spring & Other Parts (SUS304/SUS316 /Titanium/Hastelloy-C)

Seal Size(Inches)	D1	D3	D6	D7	D10	L3	L6	L10	T	D3'	L3'
0.625	0.625	33.3				52.4					
0.750	0.750	36.5	37.5	36.51	48	52.4	4.8	8	0.8		
0.875	0.875	39.7	40.5	39.69	51	25.4	4.8	8	0.8	49.2	49.2
1.000	1.000	57.2	43.5	42.86	54	25.4	4.8	8	0.8	57.2	27.0
1.125	1.125	60.3	51.5	50.8	61	27.0	5.5	9.5	1.6	60.3	28.6
1.250	1.250	66.7	55	53.98	68	27.0	6.4	9.5	1.6	66.7	28.6
1.375	1.375	69.9	58	57.15	71	28.6	6.4	9.5	1.6	69.9	28.6
1.500	1.500	73.0	64.5	63.5	77	28.6	6.4	9.5	1.6	73.0	28.6
1.625	1.625	76.2	67.5	66.68	80	34.9	6.4	9.5	1.6	76.2	34.9
1.750	1.750	79.4	71	69.85	83	34.9	6.4	9.5	1.6	79.4	34.9
1.875	1.875	85.7	74	73.03	90	34.9	6.4	12.7	1.6	85.7	34.9
2.000	2.000	88.9	80	79.38	96	34.9	6.4	12.7	1.6	88.9	34.9
2.125	2.125	92.1	83.5	82.55	99	42.8	6.4	12.7	1.6	92.1	42.8
2.250	2.250	95.3	86.5	85.73	102	42.8	6.4	12.7	1.6	95.3	42.8
2.375	2.375	98.4	89.5	88.9	106	42.8	6.4	12.7	1.6	98.4	42.8
2.500	2.500	101.6	93	92.08	109	42.8	6.4	12.7	1.6	101.6	42.8
2.625	2.625	104.8	96	95.25	112	42.8	6.4	12.7	1.6	104.8	42.8
2.750	2.750	108.0	99	98.43	115	42.8	6.4	12.7	1.6	108.0	42.8
2.875	2.875	111.1	102.5	101.6	118	42.8	6.4	12.7	1.6	111.1	42.8
3.000	3.000	114.3	104	103.17	120	42.8	6.4	12.7	1.6	114.3	42.8
3.125	3.125	123.8				42.8			1.6	123.8	42.8
3.250	3.250	127.0	115	114.3	131	42.8	6.4	12.7	1.6	127.0	42.8
3.375	3.375	130.2				42.8			1.6	130.2	42.8
3.500	3.500	133.4	121.5	120.65	137	42.8	6.4	12.7	1.6	133.4	42.8
3.625	3.625	136.5				42.8			1.6	136.5	42.8
3.750	3.750	139.7	128	127	144	42.8	6.4	12.7	1.6	139.7	42.8
3.875	3.875	142.9				42.8			1.6	142.9	42.8
4.000	4.000	146.1	137.5	136.53	153	42.8	6.4	12.7	1.6	146.1	42.8



Çalışma Limitleri

Basınç: $\leq 1.5\text{MPa}$
 Hız: $\leq 20\text{m/s}$
 Sıcaklık: $-30^{\circ}\text{C} \sim +200^{\circ}\text{C}$

Operating Limits

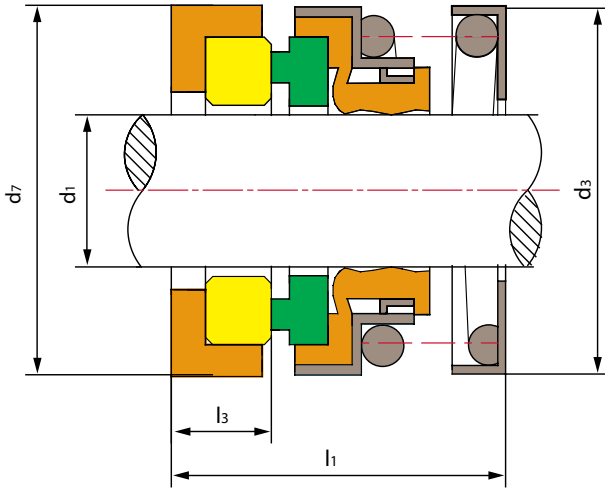
Pressure: $\leq 1.5\text{MPa}$
 Speed: $\leq 20\text{m/s}$
 Temperature: $-30^{\circ}\text{C} \sim +200^{\circ}\text{C}$

- Döner Yüzey (SiC/TC/Carbon)
- Sabit Eleman (SiC/TC)
- Elastomer(NBR/VITON/EPDM)
- Yay & Diğer Parçalar (SUS304/SUS316)
- Vida (SUS304/SUS316)

- Rotary Ring (SiC/TC/Carbon)
- Stationary Ring (SiC/TC)
- Secondary Seal(NBR/VITON/EPDM)
- Spring & Other Parts(SUS304/SUS316)
- Screw(SUS304/SUS316)

Seal size D(mm)	d	d ₃	d ₇	l ₁	l ₂	l ₃
35	25	70	100	68	76	27.8
45	38	80	110	68	76	27.8
50	40	85	115	68	76	28.0
60	50	95	125	68	76	30.6

DEMS 960



Çalışma Limitleri

Basınç: $\leq 1.2\text{MPa}$
 Hız: $\leq 15\text{m/s}$
 Sıcaklık: $-30^{\circ}\text{C} \sim +200^{\circ}\text{C}$

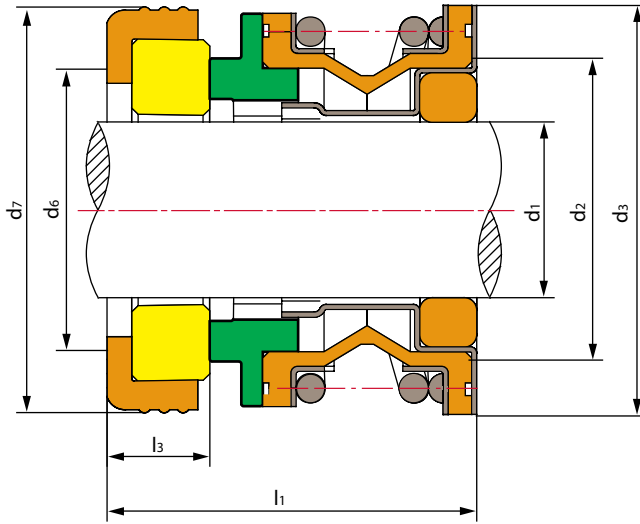
Operating Limits

Pressure: $\leq 1.2\text{MPa}$
 Speed: $\leq 15\text{m/s}$
 Temperature: $-30^{\circ}\text{C} \sim +200^{\circ}\text{C}$

- Döner Yüzey (Carbon/SiC/TC)
- Sabit Eleman (Ceramic/SiC/TC)
- Elastomer (NBR/EPDM/VITON)
- Yay & Diğer Parçalar (SUS304/SUS316)

- Rotary Ring (Carbon/SiC/TC)
- Stationary Ring (Ceramic/SiC/TC)
- Secondary Seal (NBR/EPDM/VITON)
- Spring & Other Parts (SUS304/SUS316)

Model	d ₁ (mm)	d ₃	d ₇	l ₁	l ₃	Model	d ₁ (mm)	d ₃	d ₇	l ₁	l ₃
DEMS 960-14	14	24.5	25	35.0	8	DEMS 960-38	38	54.0	56	45.0	11
DEMS 960-16	16	26.8	27	35.0	8	DEMS 960-40	40	57.0	58	45.0	11
DEMS 960-18	18	31.8	33	37.5	10	DEMS 960-43	43	61.5	61	45.0	11
DEMS 960-20	20	32.5	35	37.5	10	DEMS 960-45	45	61.5	63	45.0	11
DEMS 960-22	22	36.5	37	37.5	10	DEMS 960-48	48	70.6	66	45.0	11
DEMS 960-24	24	38.8	39	40.0	10	DEMS 960-50	50	70.6	70	47.5	11
DEMS 960-25	25	38.8	40	40.0	10	DEMS 960-53	53	70.6	73	47.5	12
DEMS 960-28	28	46.5	43	42.5	10	DEMS 960-55	55	76.0	75	47.5	12
DEMS 960-30	30	46.5	45	42.5	10	DEMS 960-58	58	79.6	78	52.5	12
DEMS 960-32	32	46.5	48	42.5	10	DEMS 960-60	60	79.6	80	52.5	12
DEMS 960-33	33	49.5	48	42.5	10	DEMS 960-63	63	84.6	83	52.5	12
DEMS 960-35	35	49.5	50	42.5	11	DEMS 960-65	65	84.6	85	52.5	13



Çalışma Limitleri

Basınç: $\leq 1\text{MPa}$
 Hız: $\leq 12\text{ m/s}$
 Sıcaklık: $-30^{\circ}\text{C}\sim+200^{\circ}\text{C}$

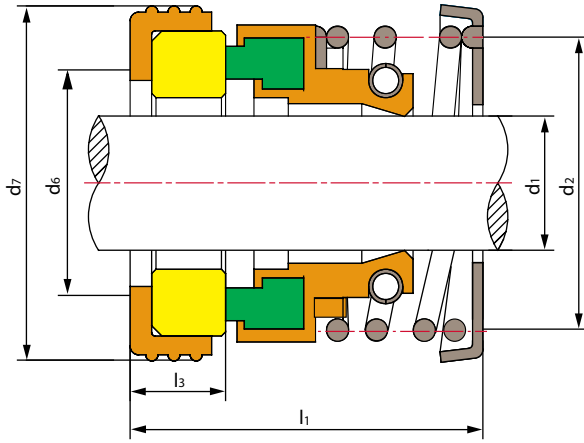
Operating Limits

Pressure: $\leq 1\text{MPa}$
 Speed: $\leq 12\text{ m/s}$
 Temperature: $-30^{\circ}\text{C}\sim+200^{\circ}\text{C}$

- Döner Yüzey (Plastic Carbon/Carbon/SiC/TC)
- Sabit Eleman (Ceramic/SiC/TC)
- Elastomer (NBR/EPDM/VITON)
- Yay & Diğer Parçalar (SUS304/SUS316)
- Rotary Ring(Plastic Carbon/Carbon/SiC/TC)
- Stationary Ring(Ceramic/SiC/TC)
- Secondary Seal(NBR/EPDM/VITON)
- Spring & Other Parts(SUS304/SUS316)

Model	d ₁ (inches)	d ₂	d ₃	d ₄	d ₅	l ₁	l ₂
DEMS E-5/16"	7.925	25.400	27.00	16.00	20.63	24.60	8.0
DEMS E-3/8"	9.520	22.225	23.80	14.30	17.42	22.22	6.2
DEMS E-1/2"	12.700	25.400	26.97	17.45	20.63	22.80	6.2
DEMS E-5/8"	15.875	30.100	30.94	20.63	23.80	26.50	8.7
DEMS E-5/8"H	15.875	31.750	30.94	20.63	23.80	30.00	10.3
DEMS E-5/8"K	15.875	31.750	30.94	20.63	23.80	28.50	10.3
DEMS E-3/4"H	19.050	34.925	34.11	23.80	26.87	30.00	10.3
DEMS E-3/4"C	19.050	34.925	34.11	23.80	26.87	28.50	10.3
DEMS E-1"	25.400	41.275	42.85	30.15	33.33	31.73	11.1
DEMS E-11/8"	28.575	44.45	46.00	33.50	36.50	31.75	11.1

DEMS 156



Çalışma Limitleri

Basınç: $\leq 0.5\text{MPa}$
 Hız: $\leq 10\text{m/s}$
 Sıcaklık: $-30^{\circ}\text{C} \sim +200^{\circ}\text{C}$

Operating Limits

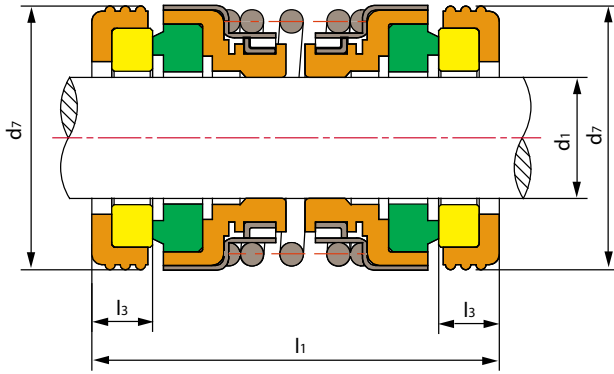
Pressure: $\leq 0.5\text{MPa}$
 Speed: $\leq 10\text{m/s}$
 Temperature: $-30^{\circ}\text{C} \sim +200^{\circ}\text{C}$

- Döner Yüzey (Plastic Carbon/Carbon/SiC/TC)
- Sabit Eleman (Ceramic/SiC/TC)
- Elastomer (NBR/EPDM/VITON)
- Yay & Diğer Parçalar (SUS304/SUS316)
- Rotary Ring(Plastic Carbon/Carbon/SiC/TC)
- Stationary Ring(Ceramic/SiC/TC)
- Secondary Seal(NBR/EPDM/VITON)
- Spring & Other Parts(SUS304/SUS316)

Model	d ₁ (mm)	d ₂	d ₆	d ₇	l ₁	l ₃
DEMS 156-8	8	16.0	13	18/21	18	5/6
DEMS 156-9	9	18.0	16	21	23	6
DEMS 156-10	10	20.0	16	20/22/24	23	6.5
DEMS 156-11	11	20.0	16	24	23	7
DEMS 156-12	12	22.5	17	26	24	7
DEMS 156-13	13	22.5	17	26	24	7
DEMS 156-14	14	24.5	21	28/30	25	7
DEMS 156-15	15	24.5	21	28/30	25	7
DEMS 156-16	16	28.5	22	32	27	8
DEMS 156-17	17	28.5	22	32	27	8
DEMS 156-18	18	31.5	25	35	29	8
DEMS 156-19	19	31.5	25	35	29	8

Model	d ₁ (mm)	d ₂	d ₆	d ₇	l ₁	l ₃
DEMS 156-20	20	31.5	27	38	31	8
DEMS 156-22	22	34.5	29	40	32	8
DEMS 156-25	25	37.5	32	44	33	9
DEMS 156-28	28	40.5	34	46	34	9
DEMS 156-30	30	44.5	38	50	35	9
DEMS 156-32	32	47.5	40	54	37	9
DEMS 156-35	35	50.5	44	58	40	10
DEMS 156-38	38	55.0	46	60	42	10
DEMS 156-40	40	56.5	48	64	43	10
DEMS 156-45	45	61.5	52	66	45	10
DEMS 156-50	50	66.5	58	72	47	10

DEMS 208



Çalışma Limitleri

Basınç: $\leq 1.2\text{MPa}$
 Hız: $\leq 10\text{ m/s}$
 Sıcaklık: $-30^{\circ}\text{C} \sim +200^{\circ}\text{C}$

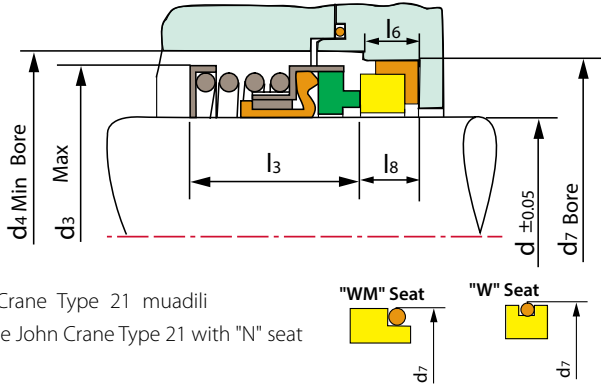
Operating Limits

Pressure: $\leq 1.2\text{MPa}$
 Speed: $\leq 10\text{ m/s}$
 Temperature: $-30^{\circ}\text{C} \sim +200^{\circ}\text{C}$

- Döner Yüzey (Plastic Carbon/Carbon/SiC/TC)
- Sabit Eleman (Ceramic/SiC/TC)
- Elastomer(NBR/EPDM/VITON)
- Yay ve Retainer(SUS304/SUS316)

- Rotary Ring(Plastic Carbon/Carbon/SiC/TC)
- Stationary Ring(Ceramic/SiC/TC)
- Secondary Ring(NBR/EPDM/VITON)
- Spring and Retainer(SUS304/SUS316)

Model	d_1 (mm)	d_7	l_1	l_3
DEMS208-10	10	21	30	5.0
DEMS208-12	12	23	30	5.0
DEMS208-14	14	26/28	38	6.0
DEMS208-16	16	28/30	38	5.0
DEMS208-18	18	33/35	38	5.0
DEMS208-20	20	35/36	40	5.5
DEMS208-25	25	40/41	48	8.0
DEMS208-30	30	45	51	8.0
DEMS208-35	35	50	51	8.0
DEMS208-40	40	58	58	9.0
DEMS208-45	45	63	58	9.0



John Crane Type 21 muadili
Replace John Crane Type 21 with "N" seat



Çalışma Limitleri

Basınç: 0~1MPa
Hız: ≤13 m/s
Sıcaklık: -30°C~+200°C

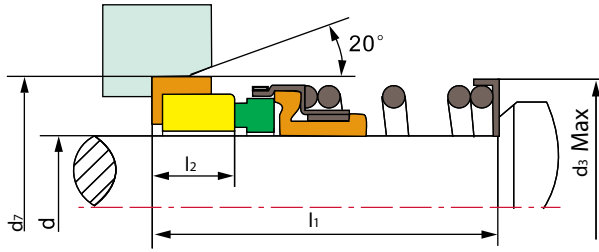
Operating Limits

Pressure: 0~1MPa
Speed: ≤13 m/s
Temperature: -30°C~+200°C

- Döner Yüzey (Carbon/SiC/TC)
 - Sabit Eleman (Ceramic/SiC/TC)
 - Elastomer(NBR/EPDM/VITON)
 - Yay & Diğer Parçalar (S.S/SUS304/SUS316)
- Rotary Ring(Carbon/SiC/TC)
 - Stationary Ring(Ceramic/SiC/TC)
 - Secondary Seal(NBR/EPDM/VITON)
 - Spring & Other Parts(S.S/SUS304/SUS316)

52

Seal size (inches)	d	d ₃	d ₄	l ₃	d ₇	l ₆	l ₈
0.500	12.70	23.81	26.99	20.64	27.80	7.1	8.7
0.625	15.88	26.99	33.34	22.23	30.95	8.7	10.3
0.750	19.05	30.16	36.51	22.23	34.15	8.7	10.3
0.875	22.23	33.34	39.69	23.81	37.30	8.7	10.3
1.000	25.40	42.85	49.20	25.40	40.50	8.7	10.3
1.125	28.58	46.02	52.37	26.97	47.65	10.3	11.9
1.250	31.75	49.20	55.55	26.97	50.80	10.3	11.9
1.375	34.93	52.37	58.72	28.58	54.00	10.3	11.9
1.500	38.10	55.55	61.90	28.58	57.15	10.3	11.9
1.625	41.28	63.50	69.85	34.93	60.35	10.3	11.9
1.750	44.45	66.68	73.03	34.93	63.55	10.3	11.9
1.875	47.63	69.85	76.20	38.10	66.70	10.3	11.9
2.000	50.80	73.03	80.95	38.10	69.85	11.9	13.5
2.125	53.98	76.20	84.12	42.85	73.05	11.9	13.5
2.250	57.15	79.38	87.30	42.85	76.20	11.9	13.5
2.375	60.33	82.55	90.47	46.02	79.40	11.9	13.5
2.500	63.50	84.91	93.65	46.02	82.55	11.9	13.5
2.625	66.68	88.90	101.60	49.20	92.10	14.3	15.9
2.750	69.85	95.25	104.78	49.20	95.25	14.3	15.9
2.875	73.03	98.43	111.13	52.37	98.45	14.3	15.9
3.000	76.20	101.60	114.30	52.37	101.60	14.3	15.9
3.125	79.38	104.78	120.65	55.55	111.15	18.3	19.9
3.250	82.55	107.95	123.83	55.55	114.30	18.3	19.9
3.375	85.73	114.30	133.35	55.55	117.50	18.3	19.9
3.500	88.90	117.48	136.53	55.55	120.65	18.3	19.9
3.625	92.08	120.65	139.70	58.72	123.85	18.3	19.9
3.750	95.25	123.83	142.88	58.72	127.00	18.3	19.9
3.875	98.43	127.00	146.05	61.90	130.20	18.3	19.9
4.000	101.60	130.18	149.23	61.90	133.35	18.3	19.9



Çalışma Limitleri

Basınç: $\leq 1\text{MPa}$
 Hız: $\leq 10\text{ m/s}$
 Sıcaklık: $-30^{\circ}\text{C}\sim+200^{\circ}\text{C}$

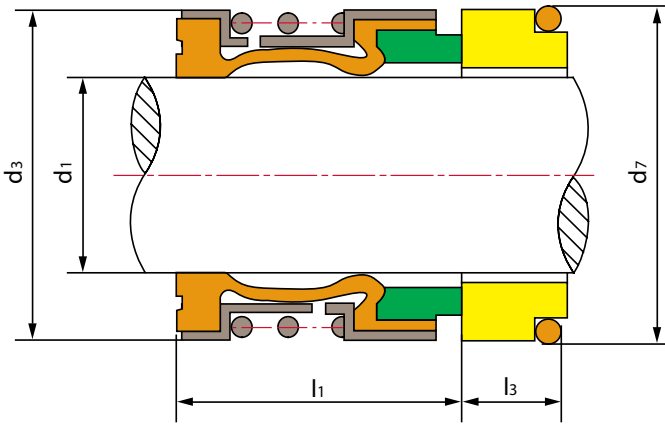
Operating LimiDEMS

Pressure: $\leq 1\text{MPa}$
 Speed: $\leq 10\text{ m/s}$
 Temperature: $-30^{\circ}\text{C}\sim+200^{\circ}\text{C}$

- Döner Yüzey (Plastic Carbon/Carbon/SiC/TC)
- Sabit Eleman (Ceramic/SiC/TC)
- Elastomer(NBR/EPDM/VITON)
- Yay & Diğer Parçalar (S.S/SUS304/SUS316)
- Rotary Ring(Plastic Carbon/Carbon/SiC/TC)
- Stationary Ring(Ceramic/SiC/TC)
- Secondary Seal(NBR/EPDM/VITON)
- Spring & Other Parts(S.S/SUS304/SUS316)

Model	d (mm)	d ₃	d ₇	l ₁	l ₂
DEMSBIA-14	14	27.0	30	23.7	5.0
DEMSBIA-16	16	28.5	32	26.0	5.0
DEMSBIA-18	18	30.5	35	30.0	7.5
DEMSBIA-20	20	34.0	35	29.0	8.0
DEMSBIA-25	25	39.0	40	33.5	8.0
DEMSBIA-28	28	42.0	43	33.5	8.0
DEMSBIA-30	30	44.0	45	34.5	9.0
DEMSBIA-32	32	47.0	48	42.5	9.0
DEMSBIA-33	33	47.0	48	42.5	9.0
DEMSBIA-35	35	49.0	50	42.5	9.0
DEMSBIA-38	38	54.0	56	42.5	9.0
DEMSBIA-40	40	56.0	58	42.5	9.0
DEMSBIA-43	43	59.0	61	46.0	9.5
DEMSBIA-45	45	62.0	63	47.5	9.5
DEMSBIA-48	48	64.0	66	47.5	9.5
DEMSBIA-50	50	66.0	70	47.5	9.5
DEMSBIA-53	53	69.0	73	50.5	9.5
DEMSBIA-55	55	72.0	75	50.5	9.5
DEMSBIA-58	58	80.0	78	51.5	9.5
DEMSBIA-60	60	80.0	80	51.5	9.5
DEMSBIA-70	70	90.0	92	56.0	11.0

DEMS 210CG - 210Z



Çalışma Limitleri

Basınç: $\leq 1.2\text{MPa}$
 Hız: $\leq 10\text{ m/s}$
 Sıcaklık: $-30^{\circ}\text{C} \sim +200^{\circ}\text{C}$

Operating Limits

Pressure: $\leq 1.2\text{MPa}$
 Speed: $\leq 10\text{ m/s}$
 Temperature: $-30^{\circ}\text{C} \sim +200^{\circ}\text{C}$

John Crane Type 2100 muadili, D8 veya D60 sabit eleman seçilebilir.

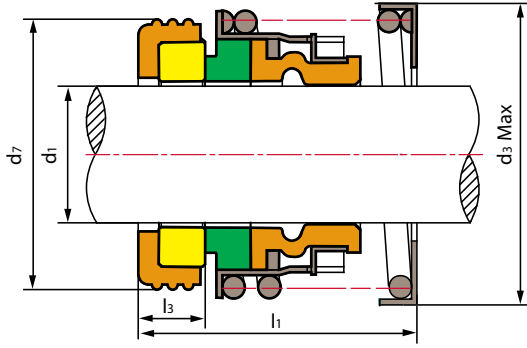
Replace John Crane type 2100 with "D8" seat, and "D60" seat also can be provided.

- Döner Yüzey (Carbon/SiC/TC)
- Sabit Eleman (Ceramic/SiC/TC)
- Elastomer (NBR/EPDM/VITON)
- Yay & Diğer Parçalar (SUS304/SUS316)
- Rotary Ring(Carbon/SiC/TC)
- Stationary Ring(Ceramic/SiC/TC)
- Secondary Seal(NBR/EPDM/VITON)
- Spring & Other Parts(SUS304/SUS316)

Model	d ₁ (mm)	d ₃	d ₇	l ₁	l ₃
DEMS210-16	16	26	27	15	12.0
DEMS210-18	18	32	33	20	13.5
DEMS210-20	20	34	35	20	13.5
DEMS210-22	22	36	37	20	13.5
DEMS210-24	24	38	39	20	13.5
DEMS210-25	25	39	40	20	13.0
DEMS210-28	28	42	43	26	12.5
DEMS210-30	30	44	45	26	12.0
DEMS210-32	32	46	48	26	12.0
DEMS210-33	33	47	48	26	12.0
DEMS210-35	35	49	50	26	12.0
DEMS210-38	38	54	56	30	13.0

Model	d ₁ (mm)	d ₃	d ₇	l ₁	l ₃
DEMS210-40	40	56	58	30	13.0
DEMS210-43	43	59	61	30	13.0
DEMS210-45	45	61	63	30	13.0
DEMS210-48	48	64	66	30	13.0
DEMS210-50	50	66	70	30	13.5
DEMS210-53	53	69	73	30	13.5
DEMS210-55	55	71	75	30	13.5
DEMS210-60	60	80	80	33	13.5
DEMS210-65	65	85	85	33	13.5
DEMS210-70	70	90	92	33	14.5
DEMS210-75	75	99	97	40	14.5

DEMS 580



John Crane Type 2 muadili
DEMS 580 Replace John Crane Type 2

Çalışma Limitleri

Basınç: $\leq 2.8\text{MPa}$
Hız: $\leq 13\text{ m/s}$
Sıcaklık: $-30^{\circ}\text{C} \sim +200^{\circ}\text{C}$

Operating Limits

Pressure: $\leq 2.8\text{MPa}$
Speed: $\leq 13\text{ m/s}$
Temperature: $-30^{\circ}\text{C} \sim +200^{\circ}\text{C}$

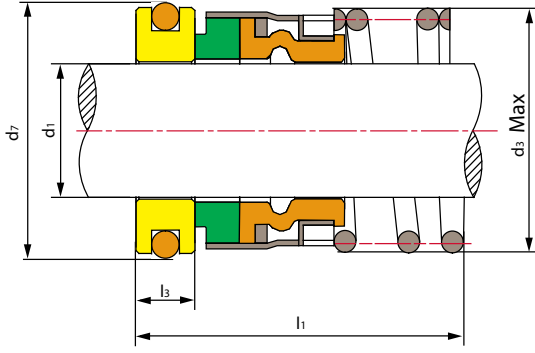
- Döner Yüzey (Carbon/SiC/TC)
- Sabit Eleman (Ceramic/SiC/TC)
- Elastomer (NBR/EPDM/VITON)
- Yay & Diğer Parçalar (SUS304/SUS316)

- Rotary Ring(Carbon/SiC/TC)
- Stationary Ring(Ceramic/SiC/TC)
- Secondary Seal(NBR/EPDM/VITON)
- Spring & Other Parts(SUS304/SUS316)

Model	d ₁ (inches)	d ₃	d ₇	l ₁	l ₃
TS580-3/8"	9.525	28	24.60	33.7	8.7
DEMS580-1/2"	12.700	32	27.80	33.7	8.7
DEMS580-5/8"	15.875	35	30.95	35.3	10.3
DEMS580-3/4"	19.050	40	34.15	35.3	10.3
DEMS580-7/8"	22.225	43	37.30	35.3	10.3
DEMS580-1"	25.400	47	40.50	35.3	10.3
DEMS580-1 1/8"	28.575	56	47.65	44.9	11.9
DEMS580-1 1/4"	31.750	59	50.80	44.9	11.9
DEMS580-1 3/8"	34.925	63	54.00	44.9	11.9
DEMS580-1 1/2"	38.100	67	57.15	44.9	11.9
DEMS580-1 5/8"	41.275	71	60.35	44.9	11.9
DEMS580-1 3/4"	44.450	74	63.50	52.9	11.9
DEMS580-1 7/8"	47.625	77	66.70	52.9	11.9
DEMS580-2"	50.800	81	69.85	54.5	13.5
DEMS580-2 1/8"	53.970	84	73.05	54.5	13.5
DEMS580-2 1/4"	57.150	88	76.20	54.5	13.5
DEMS580-2 3/8"	60.320	91	79.40	54.5	13.5
DEMS580-2 1/2"	63.500	94	82.55	54.5	13.5

Model	d ₁ (inches)	d ₃	d ₇	l ₁	l ₃
DEMS580-20	20	41	35	35	10
DEMS580-22	22	41	37	35	10
DEMS580-24	24	47	39	35	10
DEMS580-25	25	47	40	35	10
DEMS580-28	28	51	43	44.9	11.9
DEMS580-30	30	55	45	43	10
DEMS580-32	32	55	48	44.9	11.9
DEMS580-35	35	56	50	43	10
DEMS580-38	38	66	56	44	11
DEMS580-40	40	67	58	44	11
DEMS580-43	43	72	61	52	11
DEMS580-45	45	72	63	52	11
DEMS580-48	48	76	66	52	11
DEMS580-50	50	80	70	52	11
DEMS580-55	55	88	75	53	12
DEMS580-60	60	91	80	53	12

DEMS 580B



John Crane Type 1A(Avrupa standardı) mudaili.
DEMS 580B Replace John Crane Type 1A(European Standard).

Çalışma Limitleri

Basınç: $\leq 2.8\text{MPa}$
Hız: $\leq 13\text{ m/s}$
Sıcaklık: $-30^{\circ}\text{C} \sim +200^{\circ}\text{C}$

Operating Limits

Pressure: $\leq 2.8\text{MPa}$
Speed: $\leq 13\text{ m/s}$
Temperature: $-30^{\circ}\text{C} \sim +200^{\circ}\text{C}$

56

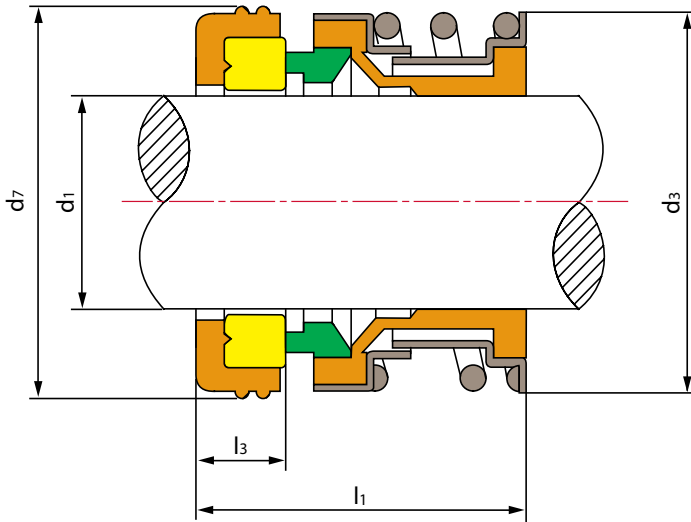
- Döner Yüzey (Carbon/SiC/TC)
- Sabit Eleman (Ceramic/SiC/TC/SUS304)
- Elastomer (NBR/EPDM/VITON)
- Yay & Diğer Parçalar (SUS304/SUS316)

- Rotary Ring (Carbon/SiC/TC)
- Stationary Ring (Ceramic/SiC/TC/SUS304)
- Secondary Ring (NBR/EPDM/VITON)
- Spring & Other Parts (SUS304/SUS316)

Model	d ₁ (mm)	d ₃	d ₇	l ₁	l ₃
DEMS580B-14	14	29	25	52	8
DEMS580B-16	16	29	27	52	8
DEMS580B-18	18	32	33	52	8
DEMS580B-19	19	32	35	52	8
DEMS580B-20	20	33	37	52	8
DEMS580B-24	24	38	39	52	8
DEMS580B-25	25	38	40	52	8
DEMS580B-28	28	46	43	69	9
DEMS580B-30	30	49	45	69	9
DEMS580B-32	32	49	48	69	9

Model	d ₁ (mm)	d ₃	d ₇	l ₁	l ₃
DEMS580B-35	35	52	50	70	10
DEMS580B-38	38	56	56	70	10
DEMS580B-40	40	59	58	70	10
DEMS580B-45	45	62	63	81	10
DEMS580B-48	48	65	66	81	10
DEMS580B-50	50	68	70	81	10
DEMS580B-55	55	75	75	83	12
DEMS580B-60	60	78	80	83	12
DEMS580B-65	65	86	85	83	12

DEMS 166



"PAC-SEAL" type 16 muadili
Replace "PAC-SEAL" type 16

Çalışma Limitleri

Basınç: $\leq 1\text{MPa}$
Hız: $\leq 10\text{ m/s}$
Sıcaklık: $-30^{\circ}\text{C} \sim +200^{\circ}\text{C}$

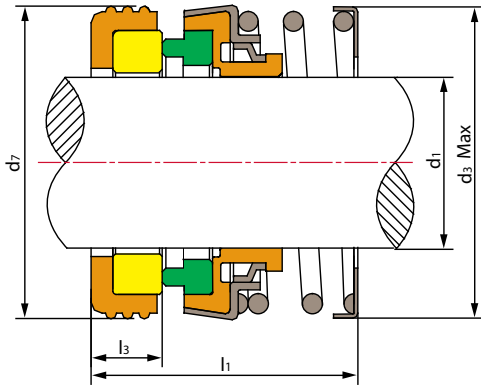
Operating Limits

Pressure: $\leq 1\text{MPa}$
Speed: $\leq 10\text{ m/s}$
Temperature: $-30^{\circ}\text{C} \sim +200^{\circ}\text{C}$

- Döner Yüzey (Plastic Carbon/Carbon/SiC/TC)
- Sabit Eleman (Ceramic/SiC/TC)
- Elastomer (NBR/EPDM/VITON)
- Yay & Diğer Parçalar (SUS304/SUS316)
- Rotary Ring(Plastic Carbon/Carbon/SiC/TC)
- Stationary Ring(Ceramic/SiC/TC)
- Secondary Seal(NBR/EPDM/VITON)
- Spring & Other Parts(SUS304/SUS316)

Model	d ₁ (inches)	d ₃	d ₇	l ₁	l ₃
DEMS166-5/16"	7.938	23.29	25.4	24.5	7.9
DEMS166-3/8"	9.525	23.29	22.225	23.80	7.14
DEMS166-1/2"	12.700	23.29	25.400	23.01	6.35
DEMS166-5/8"	15.875	30.10	31.750	28.55	10.31
DEMS166-3/4"	19.050	33.07	34.925	28.55	10.31
DEMS166-7/8"	22.225	36.30	38.100	30.94	10.31
DEMS166-1"	25.400	39.42	41.275	31.72	11.10

DEMS 166T



Çalışma Limitleri

Basınç: $\leq 1\text{MPa}$
 Hız: $\leq 10\text{ m/s}$
 Sıcaklık: $-30^\circ\text{C} \sim +200^\circ\text{C}$

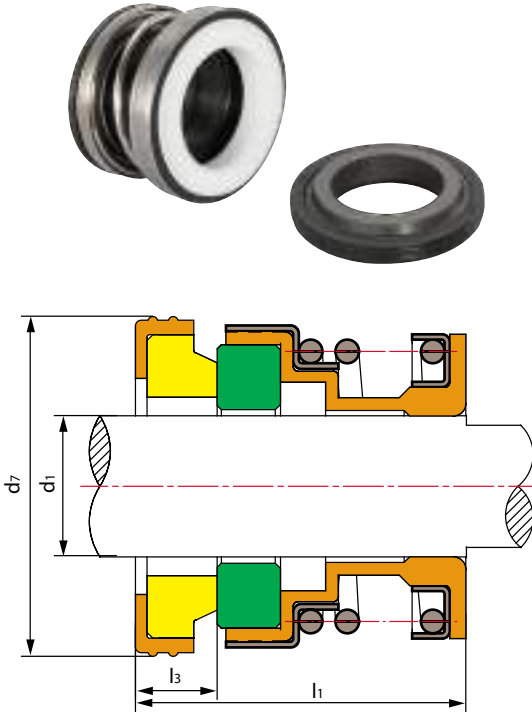
Operating Limits

Pressure: $\leq 1\text{MPa}$
 Speed: $\leq 10\text{ m/s}$
 Temperature: $-30^\circ\text{C} \sim +200^\circ\text{C}$

- Döner Yüzey (Carbon/SiC/TC)
- Sabit Eleman (Ceramic/SiC/TC)
- Kep (NBR/EPDM/VITON)
- Yay (SUS304/SUS316)
- Körük (NBR/EPDM/VITON)
- Rotary Ring (Carbon/SiC/TC)
- Stationary Ring (Ceramic/SiC/TC)
- Cup Gasket (NBR/EPDM/VITON)
- Spring (SUS304/SUS316)
- Bellows (NBR/EPDM/VITON)

Model	d_1 (mm)	d_3	d_7	l_1	l_3	Model	d_1 (inches)	d_3	d_7	l_1	l_3
DEMS166T-12	12	23.3	27.80	34.1	8.7	DEMS166T-3/8"	9.525	23.292	24.587	34.138	8.738
DEMS166T-16	16	30.1	30.95	35.7	10.3	DEMS166T-7/16"	11.100	22.000	30.000	26.000	5.400
DEMS166T-20	20	36.3	35.70	35.7	10.3	DEMS166T-1/2"	12.700	23.292	27.788	34.138	8.738
DEMS166T-22	22	36.3	37.30	35.7	10.3	DEMS166T-5/8"	15.875	30.099	30.937	35.712	10.312
DEMS166T-24	24	39.4	40.50	35.7	10.3	DEMS166T-3/4"	19.050	33.071	33.1/34.138	35.712	6.5/10.312
DEMS166T-25	25	39.4	40.50	35.7	10.3	DEMS166T-7/8"	22.225	36.297	37.287	35.712	10.312
DEMS166T-28	28	44.4	47.65	45.2	11.9	DEMS166T-1"	25.400	39.421	40.488/41.28	43.307	10.3/11.1
DEMS166T-30	30	47.6	50.80	45.2	11.9	DEMS166T-11/8"	28.575	44.450	47.625	44.907	11.913
DEMS166T-32	32	47.6	50.80	45.2	11.9	DEMS166T-11/4"	31.750	47.625	50.800	44.907	11.913
DEMS166T-35	35	50.8	54.00	45.2	11.9	DEMS166T-13/8"	34.925	50.800	53.975	44.907	11.913
DEMS166T-38	38	54.0	57.15	45.2	11.9	DEMS166T-11/2"	38.100	53.975	57.150	44.907	11.913
DEMS166T-40	40	60.3	60.35	45.2	11.9	DEMS166T-15/8"	41.275	60.325	60.325	44.907	11.913
DEMS166T-45	46	66.7	63.50	52.4	11.9	DEMS166T-13/4"	44.450	60.325	63.500	52.934	11.913
DEMS166T-48	48	66.7	66.70	52.4	11.9	DEMS166T-17/8"	47.625	63.881	66.675	52.934	11.913
DEMS166T-50	50	69.0	69.85	54.0	13.5	DEMS166T-2"	50.800	69.000	69.850	54.508	13.487
DEMS166T-55	55	74.6	73.05	54.0	13.5	DEMS166T-3"	76.200	98.4	101.600	68.250	15.875

DEMS 103



Çalışma Limitleri

Basınç: $\leq 0.8\text{MPa}$
 Hız: $\leq 5\text{ m/s}$
 Sıcaklık: $-30^{\circ}\text{C} \sim +200^{\circ}\text{C}$

Operating Limits

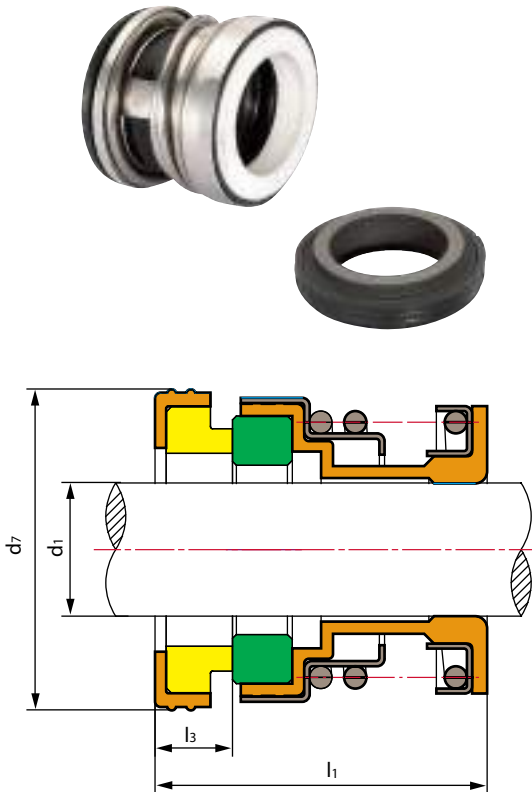
Pressure: $\leq 0.8\text{MPa}$
 Speed: $\leq 5\text{ m/s}$
 Temperature: $-30^{\circ}\text{C} \sim +200^{\circ}\text{C}$

- Döner Yüzey (Ceramic) ● Rotary Ring (Ceramic)
- Sabit Eleman (Plastic Carbon) ● Stationary Ring (Plastic Carbon)
- Elastomer (NBR/VITON) ● Secondary Ring (NBR/VITON)
- Yay ve Retainer (S.S./Copper) ● Spring and Retainer (S.S./Copper)

Model	d ₁ (mm)	d ₇	l ₁	l ₃
DEMS103-10	10	25	20.5	5.0
DEMS103-12	12	26	20.5	5.5
DEMS103-12L	12	26	20.5	7.5
DEMS103-14	14	30	20.5	7.0
DEMS103-17	17	35	20.5	7.0
DEMS103-18	18	35	20.5	7.0

DEMS 104

59



Çalışma Limitleri

Basınç: $\leq 0.8\text{MPa}$
 Hız: $\leq 5\text{ m/s}$
 Sıcaklık: $-30^{\circ}\text{C} \sim +200^{\circ}\text{C}$

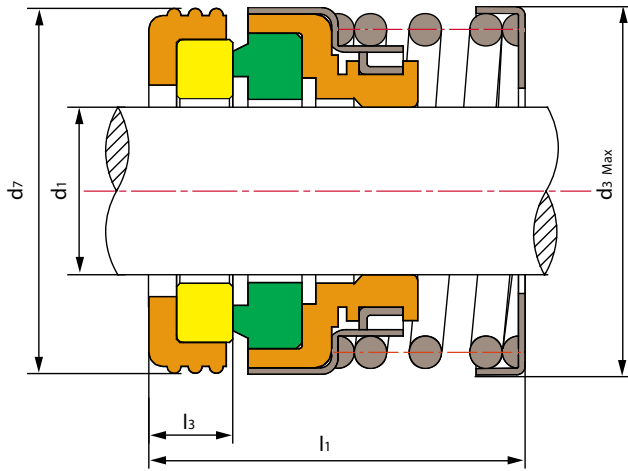
Operating Limits

Pressure: $\leq 0.8\text{MPa}$
 Speed: $\leq 5\text{ m/s}$
 Temperature: $-30^{\circ}\text{C} \sim +200^{\circ}\text{C}$

- Rotary Ring (Ceramic)
- Stationary Ring (Plastic Carbon)
- Secondary Ring (NBR/VITON)
- Spring and Retainer (S.S./Copper)

Model	d ₁ (mm)	d ₇	l ₁	l ₃
DEMS104-9	9	22	20	5.5
DEMS104-10	10	22	20	5.5
DEMS104-11	11	24	20	5.5
DEMS104-12	12	24	20	5.5
DEMS104-14	14	26	25	7.0
DEMS104-15	15	28	25	7.0
DEMS104-16	16	28	25	7.0
DEMS104-17	17	34	25	7.0
DEMS104-18	18	34	25	7.0
DEMS104-19	19	36	25	7.0
DEMS104-20	20	36	25	7.0
DEMS104-22	22	38	25	7.0
DEMS104-25	25	41	37	9.0
DEMS104-30	30	46	37	9.0
DEMS104-35	35	51	37	9.0
DEMS104-40	40	60	40	10.5
DEMS104-45	45	65	40	10.5

DEMS 108



Çalışma Limitleri

Basınç: $\leq 1\text{MPa}$
 Hız: $\leq 10\text{ m/s}$
 Sıcaklık: $-30^{\circ}\text{C} \sim +200^{\circ}\text{C}$

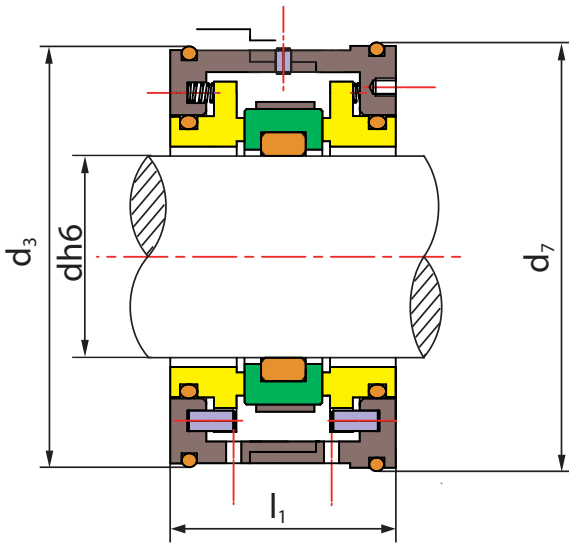
Operating Limits

Pressure: $\leq 1\text{MPa}$
 Speed: $\leq 10\text{ m/s}$
 Temperature: $-30^{\circ}\text{C} \sim +200^{\circ}\text{C}$

- Döner Yüzey (Plastic Carbon/Carbon/SiC/TC)
- Sabit Eleman (Ceramic/SiC/TC)
- Elastomer(NBR/EPDM/VITON)
- Yay & Diğer Parçalar (SUS304/SUS316)
- Rotary Ring(Plastic Carbon/Carbon/SiC/TC)
- Stationary Ring(Ceramic/SiC/TC)
- Secondary Seal(NBR/EPDM/VITON)
- Spring & Other Parts(SUS304/SUS316)

Model	d ₁ (mm)	d ₃	d ₇	l ₁	l ₃	Model	d ₁ (mm)	d ₃	d ₇	l ₁	l ₃
DEMS108-9	9	20.6	21	20	5.0	DEMS108-20	20	34.0	35	25	7.5
DEMS108-10	10	20.6	21	20	5.0	DEMS108-22	22	36.5	37	28	7.5
DEMS108-11	11	22.0	23	20	5.0	DEMS108-25	25	39.0	40	32	8.0
DEMS108-12	12	22.0	23	20	5.0	DEMS108-28	28	46.5	43	35	8.0
DEMS108-14	14	24.5	25	25	5.2	DEMS108-30	30	46.5	45	35	8.0
DEMS108-15	15	26.5	27	25	5.2	DEMS108-35	35	50.0	50	37	8.0
DEMS108-16	16	26.5	27	25	5.2	DEMS108-40	40	56.0	58	40	8.7
DEMS108-17	17	32.0	33	25	5.2	DEMS108-45	45	62.0	63	40	9.0
DEMS108-18	18	32.0	33	25	5.2	DEMS108-50	50	69.0	70	45	9.0
DEMS108-19	19	34.0	35	25	7.5	DEMS108-55	55	76.0	75	45	10.5

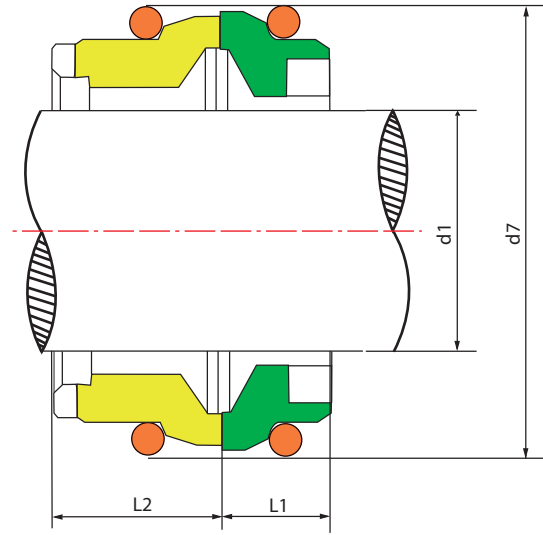
EMU pump DEMS EMU



- Rotary Ring (SiC/TC)
- Stationary Ring (SiC)
- Secondary Seal(NBR/EPDM/VITON)
- Spring & Other Parts(SUS304/SUS316)
- Pin(SUS304/SUS316)

Seal size d(mm)	d ₃	d ₇	l ₁
30	62	65	46
30A	62	65	46
35	67	70	46
35A	72	72	47
40	72	75	46
50	90	90	52
50A	83	89	46
60	92	99	46
75	128	130	75

APV pump DEMS APV-01



- Rotary Ring (SiC/TC/Carbon)
- Stationary Ring (Carbon/SiC/TC)
- Secondary Seal(VITON/Encapsulated Ring)

MODEL	d ₁	d ₇	L ₁	L ₂
U130-25	25	46	11.5	17.5
U130-35	35	56	11.5	17.5
30	44	45	30.5	12

- Seals to suit APV W Plus pumps
- Replace VULCAN TYPE16. PLUS

**APV "World" pump DEMS APV-02A
APV-02B**



APV-02A



APV-02B

dimension: 1inch/1.5inch

Rotary Ring (Carbon /SiC/TC)

Stationary Ring (SiC/TC)

Secondary Seal(NBR/EPMD/Viton)

Spring &Other Parts(SUS304/SUS316)

APV "World" pump DEMS APV-03



dimension: 25mm/35mm

Rotary Ring (Carbon /SiC/TC)

Stationary Ring (SiC/TC)

Secondary Seal(NBR/EPMD/Viton)

Spring &Other Parts(SUS304/SUS316)

APV "World" pump APV-04



dimension: 25mm/35mm

Rotary Ring (Carbon /SiC/TC)

Stationary Ring (SiC/TC)

Secondary Seal(NBR/EPMD/Viton)

Spring &Other Parts(SUS304/SUS316)

APV "World" pump DEMS APV05



dimension: 25mm

Rotary Ring (Carbon /SiC/TC)

Stationary Ring (SiC/TC)

Secondary Seal(VITON)

Spring &Other Parts(SUS304/SUS316)

Fristam pump DEMS FRST



dimension: 30mm/35mm

Rotary Ring (SiC/TC)

Stationary Ring (SiC/TC)

Secondary Seal(VITON)

Spring &Other Parts(SUS304/SUS316)

Grundfos DEMS GRF706 E



dimension: 12mm/16mm

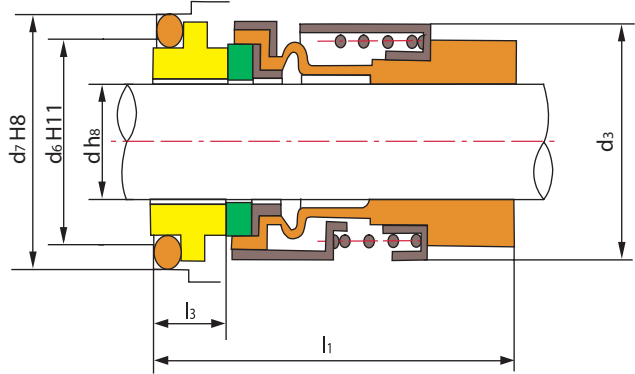
Rotary Ring (Carbon/SiC)

Stationary Ring (SiC/TC)

Secondary Seal(EPDM/VITON)

Spring & Other Parts(SUS304/SUS316)

Grundfos DEMS GRF706 B/L



64

Grundfos DEMS GRF706 D



dimension: 12mm

Rotary Ring (Carbon/SiC)

Stationary Ring (SiC/TC)

Secondary Seal(EPDM/VITON)

Spring & Other Parts(SUS304/SUS316)

- Rotary Ring(SiC/TC)
- Stationary Ring(Carbon/SiC/TC)
- Secondary Seal(NBR/EPDM/VITON)
- Retainer(SUS304/SUS316)
- Spring(SUS304/SUS316)

Seal size d(mm)	d ₃	d ₆	d ₇	l ₁	l ₃
12	22	19	23	39.0	7.6
12A	22	19	23	34.0	7.6
15	26	23	27	39.0	8.7
16	26	23	27	39.0	8.7

Grundfos DEMS GRF706 B/S



dimension: 12mm/16mm

Rotary Ring (SiC/TC)

Stationary Ring (SiC/TC)

Secondary Seal(NBR/EPDM/VITON)

Spring &Other Parts(SUS304/SUS316)

Grundfos DEMS GRF706 A



dimension: 12mm/16mm

Rotary Ring Carbon (TC)

Stationary Ring (TC)

Secondary Seal(NBR/EPDM/VITON)

Spring &Other Parts(SUS304/SUS316)

Grundfos DEMS GRF706 DE



dimension:22mm

Rotary Ring (TC)

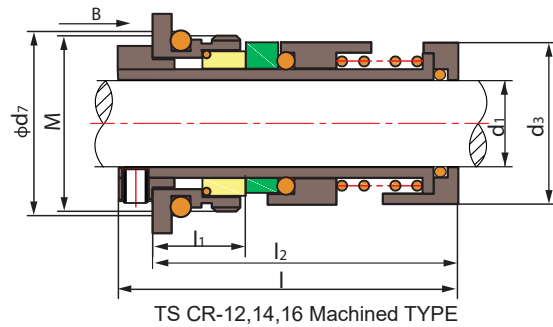
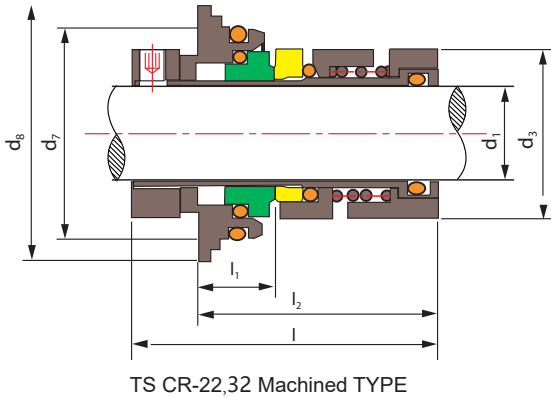
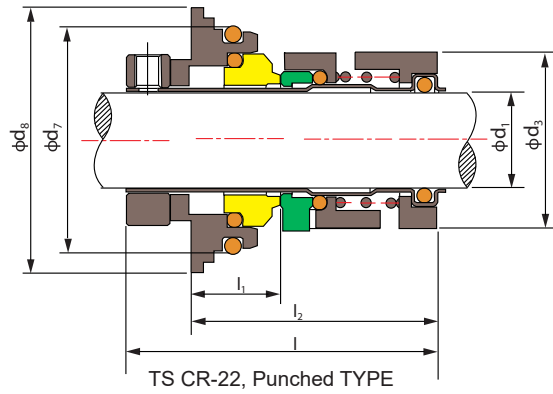
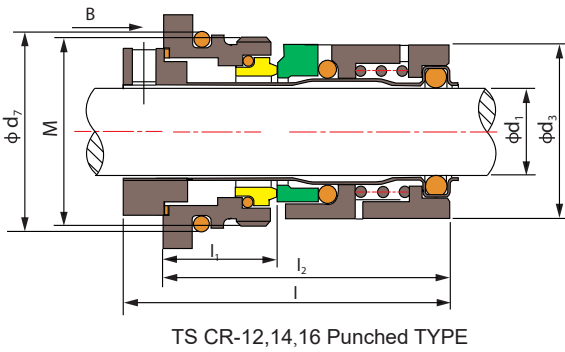
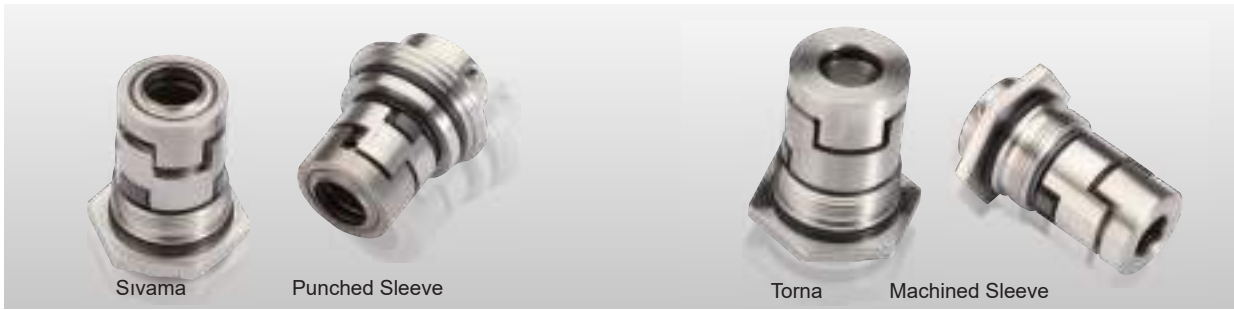
Stationary Ring (TC)

Secondary Seal(VITON)

Spring &Other Parts(SUS304/SUS316)

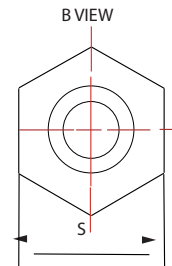


Grundfos pump DEMS GRF706 C



66

- Rotary Ring (SiC/TC)
- Stationary Ring (SiC/TC)
- Secondary Seal(NBR/MITON)
- Spring &Other Parts(SUS304/SUS316)



Model Modelo	d ₁	d ₃	d ₇	d ₈	M	l	l ₁	l ₂	S
CR-12	12	25.0	29	\	M28X1.5	55.0	19	49.0	35.8
CR-14	14	27.5	39	\	M33X1.5	56.0	18	49.0	40.8
CR-16	16	30.5	34	\	M33X1.5	57.5	20	50.5	40.8
CR-22	22	39.5	50	59	\	71.0	20	57.0	\
CR-32	32	53.0	61	71	\	70.0	20	55.0	\

Grundfos Yataklama ve Burçlar
Plain bearing and bush



dimension: 12mm/16mm



dimension: 22mm

Grundfos DEMS GFK (Metal K r k)
(metal bellow)



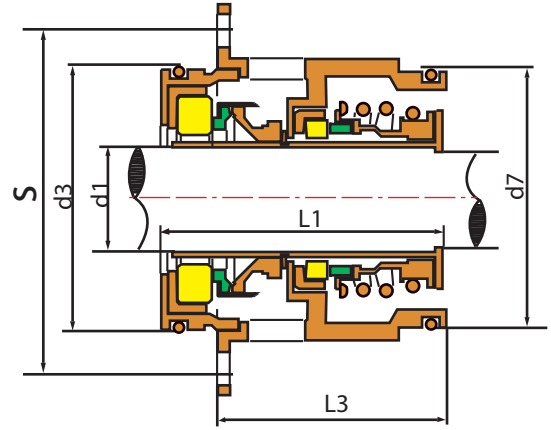
dimension: 22mm

Rotary Ring Carbon (Graphite/SiC/TC)

Stationary Ring (SiC/TC)

Bellows & Other Parts (Viton/SUS304/SUS316)

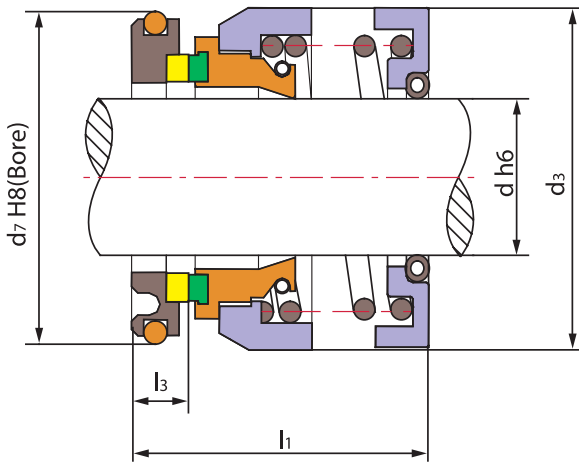
Grundfos pump DEMS GRF706 SE



- Rotary Ring (Carbon/SiC)
- Stationary Ring (SiC/TC)
- Secondary Seal (NBR/EPDM/VITON)
- Spring & Other Parts (SUS304/SUS316)

MODEL	D ₁	D ₃	D ₇	S	L ₁	L ₃
SE-22	22	58.0	56	86	61	51
SE-32	32	71.0	68	98	70	60

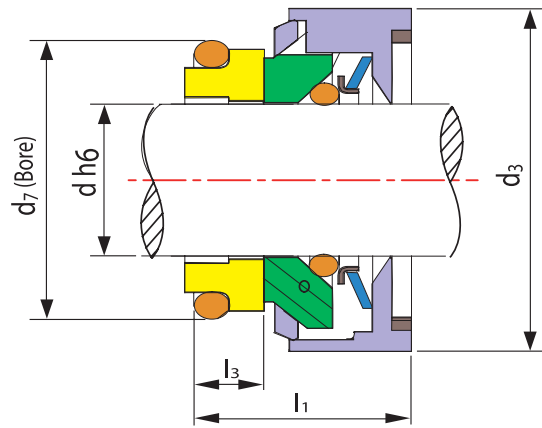
FLYGT pump DEMS FLYGT-X



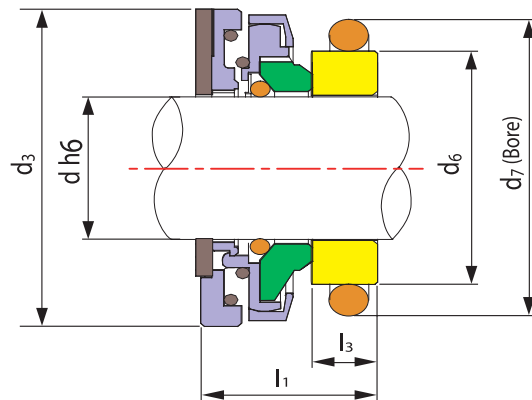
- Rotary Ring (SiC/TC)
- Stationary Ring (SiC / TC)
- O-Ring (NBR/EPDM/VITON)
- Spring (SUS304/SUS316)
- Tension Spring (SUS321)
- Stationary Seat (SUS304/SUS316)
- Spring Cover (Bakelite/Aluminum alloy)
- Retainer (Bakelite/Aluminum alloy)

Seal size(d)	d3	d7	l1	l3
20	42.5	55.5	36.5	11.0
22	47.0	45.5	32.6	9.0
25	54.0	50	38.6	10
28	54.0	50	38.6	10.0
30	54.0	50	38.6	10.0
35	62.0	60.5	39.8	11.0

FLYGT pump DEMS FLYGT-XA



TS XA-20(old)

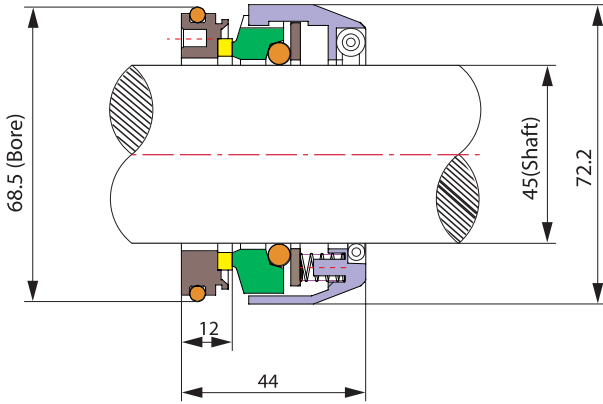


TS XA-25,35,20(new)

- Rotary Ring (Carbon/TC)
- Stationary Ring (Ceramic/TC)
- Secondary Seal (NBR/VITON)
- Spring & Other Parts (65Mn/SUS304/SUS316)
- Other Parts (Plastic)

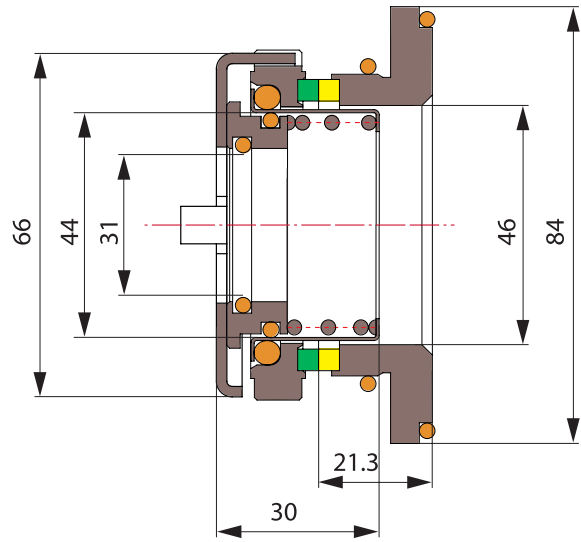
Seal size d(mm)	d3	d6	d7	l1	l3
XA-20	45.2	\	36	21.5	7.2
XA-25	54.0	35.2	42	21.0	6.0
XA-35	69.8	50.3	56	25.7	10.2

FLYGT pump DEMS FLYGT-XC



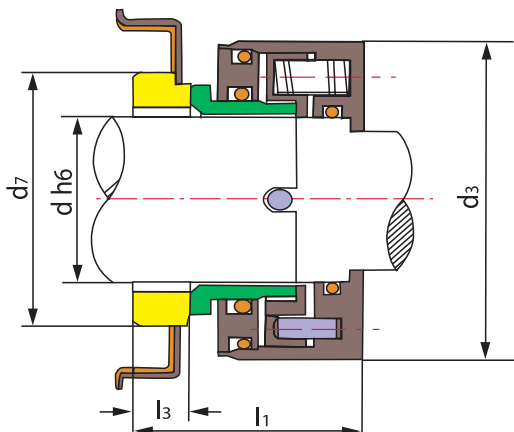
- Rotary Ring (Carbon/TC)
- Stationary Ring (SiC/TC)
- Secondary Seal (NBR/VITON)
- Spring & Other Parts (SUS304/SUS316)
- Other Parts (Plastic)

FLYGT pump DEMS FLYGT-XB

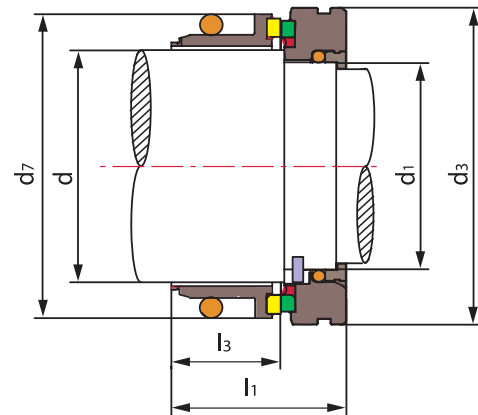


- Rotary Ring (TC)
- Stationary Ring (SiC/TC)
- Secondary Seal (NBR/VITON)
- Spring & Other Parts (SUS304/SUS316)

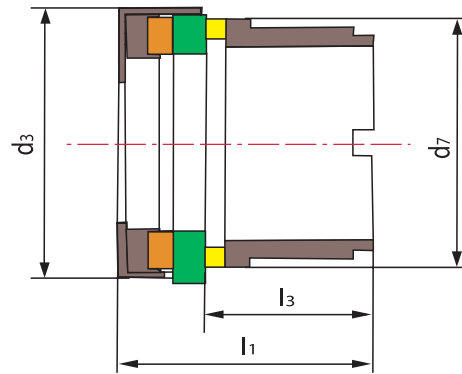
FLYGT pump DEMS FLYGT-XD



TS XD-35



TS XD-60 / TS XD-60A / TS XD-80



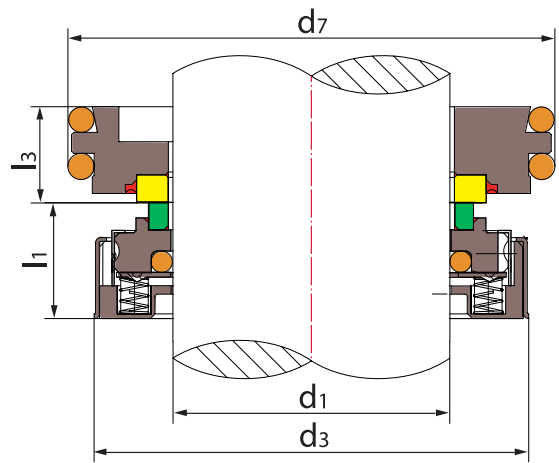
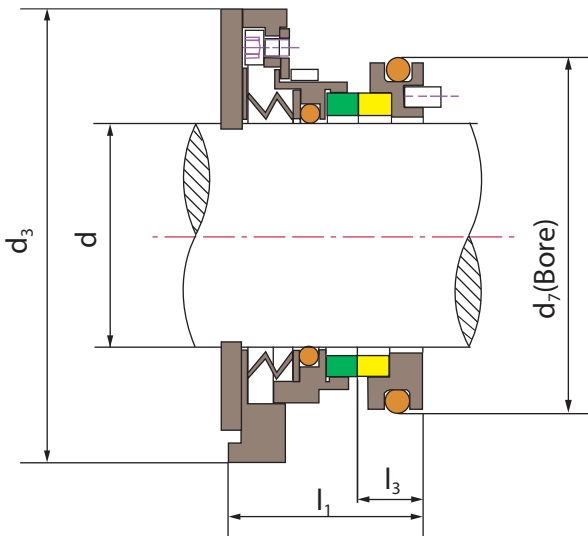
TS XD-30 / TS XD-45

- Rotary Ring(SiC/TC)
- Stationary Ring(SiC/TC)
- O-Ring(NBR/EPDM/VITON)
- Spring Seat(NBR/SUS304/SUS316)
- Other Parts(SUS304/SUS316)

Seal size d(mm)	d	d ₁	d ₃	d ₇	l ₁	l ₃
30	\	\	50	46.0	37.6	24.6
35	35	\	67	53.5	42.8	10.3
45	\	\	65	63.0	39.5	26.5
60	60	55	83	83.0	44.3	28.0
60A	60	55	83	80.0	44.5	28.0
80	80	75	106	100.0	47.3	30.3

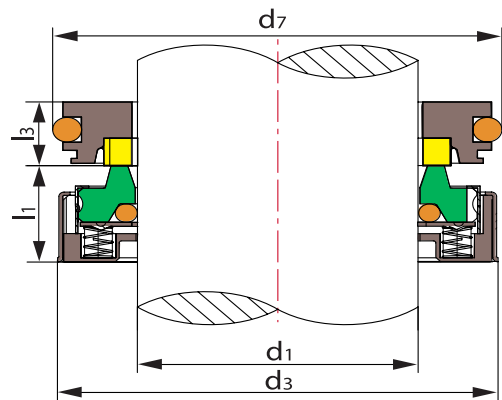
FLYGT pump DEMS FLYGT-XF

FLYGT pump DEMS FLYGT-58UR



- Rotary Ring (TC)
- Stationary Ring (TC)
- Secondary Seal (NBR/VITON)
- Spring & Other Parts (SUS304/SUS316)

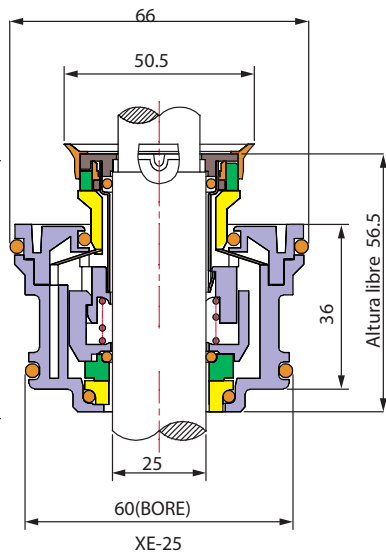
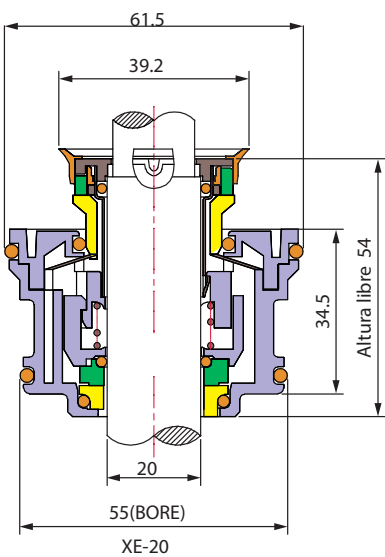
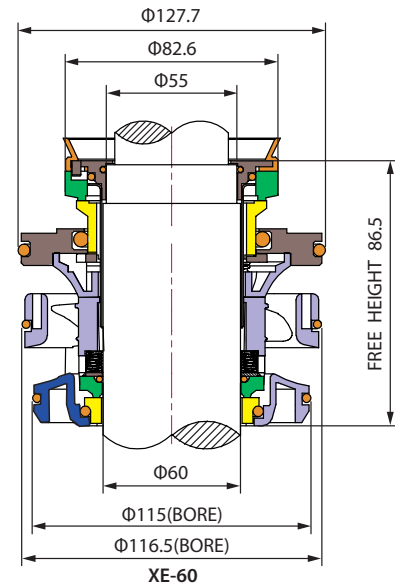
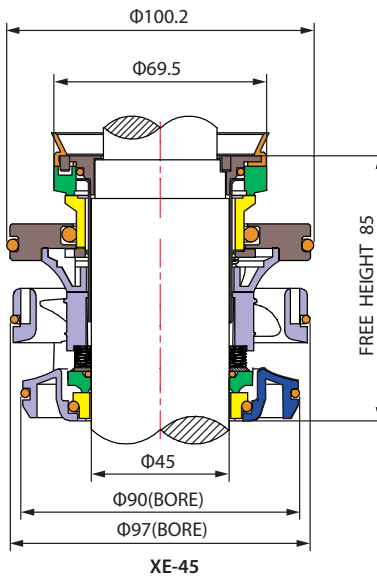
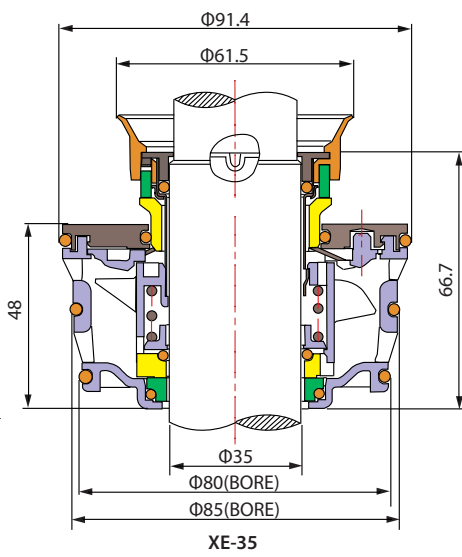
Seal size d(mm)	d ₃	d ₇	l ₁	l ₃
20	45.2	36	24.0	9.0
25	54.0	42	24.0	9.0
35	69.9	54	27.7	9.7



- Rotary Ring(Carbon/TC)
- Stationary Ring(TC)
- Secondary Seal(VITON/PTFE/NBR)
- Spring & Other Parts (SUS304/SUS316)

Model	d _{1(mm)}	d ₃	d ₇	l ₁	l ₃	Conform
TS58UR-60C	60	93.0	103.0	36	20.2	58UR-60B
TS58UR-60D	60	93.0	85.5	36	13.0	58UR-60A
TS58UR-90	90	116.5	115.0	32	16.0	\

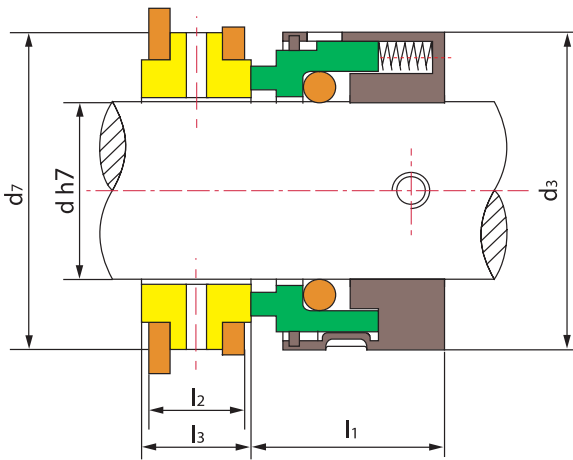
FLYGT pump DEMS FLYGT-XE



MODEL	For Flygt and Grindex Pumps & Mixers
XE-20	1520,2610,2620,2630,2640,4610&4620
XE-25	2660,4630&4640
XE-35	2670,3153,5100.210,5100,211,5100.220&5100.221
XE-45	3171,4650,4660,5100.250,5100.251,5100.260&5100.261
XE-60	3202,4670,4680,5100.300,5100.310,5150.300&5150.310

- Rotary Ring (TC)
- Stationary Ring (TC)
- Secondary Seal (NBR/VITON/EPDM)
- Spring & other Parts (SUS304/SUS316)
- Other Parts (Plastic)
- Stationary Seat(Aluminum alloy)

Amstrong pump DEMS ARMST- ST



- Rotary Ring (Carbon/SiC/TC)
- Stationary Ring (SiC/TC)
- Secondary Seal(NBR/VITON)
- Spring & Other Parts(SUS304/SUS316)

		D ₇	L ₁	L ₂	L ₃	
1 1/8"	28.575	47.6	59.4	25.6	15.9	25.3
1 5/8"	41.275	62.0	71.8	29.5	15.9	25.3
2 1/8"	53.975	79.4	84.6	29.3	15.9	25.3
2 5/8"	66.675	88.9	111.0	41.3	15.9	25.3

1 1/8"
1 5/8"
2 1/8"
2 5/8"

Tri-Clover pump DEMS TRCLVR-01



dimension: 0.75"/1.125"/1.25"/1.5"

- Rotary Ring (Carbon/SiC/TC)
- Stationary Ring (SiC/TC)
- Secondary Seal(VITON)
- Spring & Other Parts(SUS304/SUS316)

INOXPA PROULAC & SLR PUMP DEMS IINXP-01



dimension: 0.625inch/1inch/1.5inch

- Rotary Ring (Carbon /SiC/TC)
- Stationary Ring (SiC/TC)
- Secondary Seal(VITON)
- Spring &Other Parts(SUS304/SUS316)

Lowara PUMP DEMS LW-01



dimension: 12mm/16mm

Rotary Ring (SiC/TC)

Stationary Ring (Carbon /SiC/TC)

Secondary Seal(VITON)

Spring &Other Parts(SUS304/SUS316)

Alfa Laval PUMP DEMS ALV-01



dimension: 22mm

Rotary Ring (Carbon /SiC/TC)

Stationary Ring (SiC/TC)

Secondary Seal(VITON)

Spring &Other Parts(SUS304/SUS316)

74

Lowara PUMP DEMS LW-02



dimension: 22mm

Rotary Ring (SiC/TC)

Stationary Ring (Carbon /SiC/TC)

Secondary Seal(VITON)

Spring &Other Parts(SUS304/SUS316)

Alfa Laval PUMP DEMS ALV-02



dimension: 31.7mm/42mm

Rotary Ring (Carbon /SiC/TC)

Stationary Ring (SiC/TC)

Secondary Seal(VITON)

Spring &Other Parts(SUS304/SUS316)

Inoxpa PUMP DEMS INXP-7K



**dimension: 20mm/30mm/35mm/38mm/
50mm/80mm**

- Rotary Ring (SiC/TC)
- Stationary Ring (Carbon /SiC/TC)
- Secondary Seal(VITON)
- Spring &Other Parts(SUS304/SUS316)

MARINE PUMP DEMS MRN-U154



dimension: 40mm/45mm

- Rotary Ring (Carbon /SiC/TC)
- Stationary Ring (SiC/TC)
- Secondary Seal(VITON)
- Spring &Other Parts(SUS304/SUS316)

EBARA&TSRUMI PUMP DEMS TSRM



dimension: 40mm/45mm

- Rotary Ring (SiC/TC)
- Stationary Ring (Carbon /SiC/TC)
- Secondary Seal(VITON)
- Spring &Other Parts(SUS304/SUS316)

MARINE PUMP DEMS MRN-U165



dimension: 15mm/17mm

- Rotary Ring (Carbon /SiC/TC)
- Stationary Ring (SiC/TC)
- Secondary Seal(VITON)
- Spring &Other Parts(SUS304/SUS316)

I.M.O. PUMP DEMS DNZ1



dimension: 22mm

Rotary Ring (Carbon)

Stationary Ring (SUS316)

Secondary Seal(VITON)

Spring &Other Parts(SUS304/SUS316)

I.M.O. PUMP DEMS DNZ2



dimension: 22mm

Rotary Ring (SiC)

Stationary Ring (SiC)

Secondary Seal(VITON)

Spring &Other Parts(SUS304/SUS316)

ALFA LAVAL CONTHERM HEAT EXCHANGER PUMP SEAL

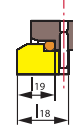
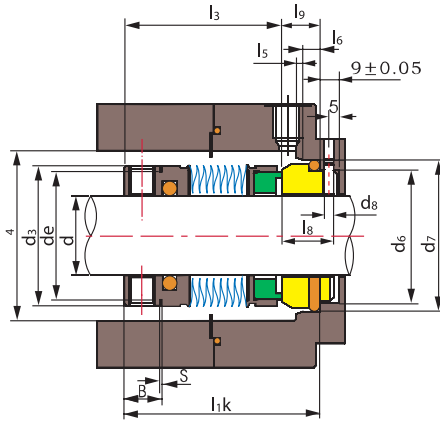


Rotary Surfaces (Carbon)

Stationary Surfaces (SiC/Ceramic Coating)

Secondary Seal(EPDM/VITON)

Spring &Other Parts(SUS304/SUS316)



Çalışma Limitleri

Basınç: $\leq 2.5\text{MPa}$
 Hız: $\leq 20\text{m/s}$
 Sıcaklık: $-40^{\circ}\text{C} \sim +220^{\circ}\text{C}$

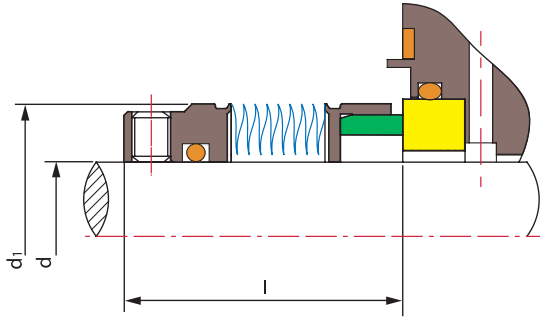
Operating Limits

Pressure: $\leq 2.5\text{MPa}$
 Speed: $\leq 20\text{m/s}$
 Temperature: $-40^{\circ}\text{C} \sim +220^{\circ}\text{C}$

- Döner Yüzey (SiC/Carbon/TC)
- Sabit Eleman (SiC/TC)
- Elastomer (VITON/Encapsulated Ring)
- Metal Körükler(SUS316L/AM350/Inconel718 /Titanium/Hastelloy-C/Alloy-20)
- Diğer Parçalar (SUS304/SUS316/Titanium/Hastelloy-C)
- Rotary Ring(SiC/Carbon/TC)
- Stationary Ring(SiC/TC)
- Secondary Seal(VITON/Encapsulated Ring)
- Metal Bellows(SUS316L/AM350/Inconel718 /Titanium/Hastelloy-C/Alloy-20)
- Other Parts (SUS304/SUS316/Titanium/Hastelloy-C)

d (mm)	d ₃	d ₆	d ₇	d ₈	d _e	d ₄	l _{1k}	l ₃	l ₅	l ₆	l ₈	l ₉	l ₁₈	l ₁₉	S	B
16	30.0	23	27	3	25.0	38	42.5	32.5	1.5	4	17.5	10.0	\	\	1.6	9.0
18	32.0	27	33	3	28.0	39	37.5	30.5	2.0	5	14.0	11.5	15.0	7.0	1.6	10.0
20	33.5	29	35	3	29.5	41	37.5	30.5	2.0	5	14.0	11.5	15.0	7.0	1.6	10.0
22	36.5	31	37	3	32.0	44	37.5	30.5	2.0	5	14.0	11.5	15.0	7.0	1.6	10.0
24	39.0	33	39	3	34.5	47	40.0	28.5	2.0	5	19.5	11.5	15.0	7.0	1.6	8.2
25	39.6	34	40	3	35.5	48	40.0	28.5	2.0	5	19.5	11.5	15.0	7.0	1.6	8.5
28	42.8	37	43	3	38.5	51	42.5	31.0	2.0	5	19.5	11.5	15.0	7.0	1.6	9.0
30	45.0	39	45	3	40.5	53	42.5	31.0	2.0	5	19.5	11.5	15.0	7.0	1.6	8.5
32	46.0	42	48	3	42.0	55	42.5	31.0	2.0	5	19.5	11.5	15.0	7.0	1.6	9.2
33	48.0	42	48	3	43.0	56	42.5	31.0	2.0	5	19.5	11.5	15.0	7.0	1.6	9.2
35	49.2	44	50	3	45.5	58	42.5	31.0	2.0	5	19.5	11.5	15.0	7.0	1.6	9.5
38	52.3	49	56	4	48.0	61	45.0	31.0	2.0	6	22.0	14.0	16.0	8.0	1.6	9.2
40	55.5	51	58	4	50.0	64	45.0	31.0	2.0	6	22.0	14.0	16.0	8.0	1.6	9.2
43	57.5	54	61	4	53.0	67	45.0	31.0	2.0	6	22.0	14.0	16.0	8.0	1.6	9.2
45	58.7	56	63	4	55.0	69	45.0	31.0	2.0	6	22.0	14.0	16.0	8.0	1.6	9.5
48	61.9	59	66	4	58.0	72	45.0	31.0	2.0	6	22.0	14.0	16.0	8.0	1.6	9.2
50	65.0	62	70	4	60.5	74	47.5	32.5	2.5	6	23.0	15.0	17.0	9.5	1.6	10.5
53	68.2	65	73	4	64.0	77	47.5	32.5	2.5	6	23.0	15.0	17.0	9.5	1.6	10.5
55	70.0	67	75	4	65.5	80	47.5	32.5	2.5	6	23.0	15.0	17.0	9.5	1.6	10.0
58	71.7	70	78	4	67.0	83	52.5	37.5	2.5	6	23.0	15.0	18.0	10.5	3.0	14.0
60	74.6	72	80	4	69.5	85	52.5	37.5	2.5	6	23.0	15.0	18.0	10.5	3.0	14.0
63	79.0	75	83	4	72.5	88	52.5	37.5	2.5	6	23.0	15.0	18.0	10.5	3.0	14.0
65	84.1	77	85	4	78.0	95	52.5	37.5	2.5	6	23.0	15.0	18.0	10.5	3.0	14.0
68	87.3	81	90	4	82.0	96	52.5	34.5	2.5	7	26.0	18.0	18.5	11.0	1.6	10.0
70	87.3	83	92	4	81.0	96	60.0	42.0	2.5	7	26.0	18.0	19.0	11.5	3.0	17.0
75	95.0	88	97	4	87.0	104	60.0	42.0	2.5	7	26.0	18.0	19.0	11.5	3.0	16.0
80	98.4	95	105	4	91.0	109	60.0	41.8	3.0	7	26.2	18.2	18.2	11.5	3.0	16.0
85	104.7	100	110	4	96.0	114	60.0	41.8	3.0	7	26.2	18.2	18.2	11.5	3.0	16.0
90	111.0	105	115	4	103.0	119	65.0	46.8	3.0	7	26.2	18.2	18.2	13.0	3.0	21.0
95	114.0	110	120	4	106.0	124	65.0	47.8	3.0	7	25.2	17.2	20.5	13.0	3.0	21.0
100	117.4	115	125	4	111.0	129	65.0	47.8	3.0	7	25.2	17.2	20.5	13.0	3.0	20.0

DEMS MB-J01



Çalışma Limitleri

Basınç: ≤ 2.1 MPa
Hız: ≤ 25 m/s
Sıcaklık: $-20^{\circ}\text{C} \sim +200^{\circ}\text{C}$

Operating Limits

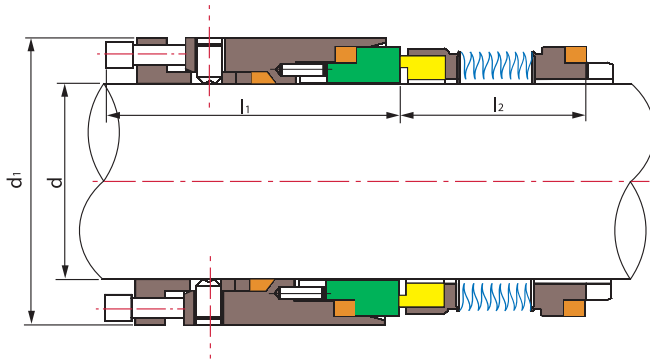
Pressure: ≤ 2.1 MPa
Speed: ≤ 25 m/s
Temperature: $-20^{\circ}\text{C} \sim +200^{\circ}\text{C}$

- Döner Yüzey (SiC/Carbon/TC)
 - Sabit Eleman (SiC/TC)
 - Elastomer (VITON/Encapsulated Ring/PTFE)
 - Metal Körükler (SUS316L/AM350/Inconel718 /Titanium/Hastelloy-C/Alloy-20)
 - Diğer Parçalar (SUS304/SUS316/Titanium/Hastelloy-C)
- Rotary Ring(SiC/Carbon/TC)
 - Stationary Ring(SiC/TC)
 - Secondary Seal(VITON/Encapsulated Ring/PTFE)
 - Metal Bellows(SUS316L/AM350/Inconel718 /Titanium/Hastelloy-C/Alloy-20)
 - Other Parts (SUS304/SUS316/Titanium/Hastelloy-C)

Seal size d(inches)	d ₁	l
0.750	1.312	1.250
0.875	1.437	1.250
0.937	1.500	1.250
1.000	1.562	1.250
1.125	1.687	1.250
1.250	1.812	1.312
1.375	1.937	1.437
1.500	2.062	1.437
1.625	2.187	1.437
1.750	2.312	1.437
1.875	2.437	1.500
2.000	2.562	1.500
2.125	2.687	1.500
2.250	2.812	1.562
2.375	2.937	1.562
2.500	3.187	1.562
2.625	3.312	1.625
2.750	3.437	1.625
2.875	3.625	1.687
3.000	3.750	1.687
3.125	3.875	1.750
3.250	4.000	1.750
3.375	4.125	1.750
3.500	4.250	1.875
3.625	4.375	1.875
3.750	4.500	1.875
3.875	4.625	1.875
4.000	4.750	1.875
4.250	5.187	1.903
4.500	5.437	1.903
4.750	5.687	1.903
5.000	5.937	1.903
5.250	6.213	1.903
5.500	6.463	1.903
5.750	6.714	1.903
6.000	6.964	1.903

Seal size d(mm)	d ₁	l
18	32.0	27.5
20	33.3	27.5
22	36.0	27.5
24	38.1	30.0
25	39.0	30.0
28	42.0	32.5
30	44.0	32.5
32	46.0	32.5
33	47.0	32.5
35	49.2	32.5
38	52.4	34.0
40	55.6	34.0
43	58.7	34.0
45	58.7	34.0
48	61.9	34.0
50	65.1	34.5
53	68.3	34.5
55	71.0	34.5
60	74.6	39.5
65	84.1	39.5
70	87.3	45.0
75	95.3	45.0
80	98.4	44.5
85	104.8	44.5
90	108.0	49.5
95	114.3	49.5
100	120.7	49.5
105	131.7	48.3
110	138.1	48.3
115	144.5	48.3
120	144.5	48.3
125	150.8	48.3
130	157.8	48.3
140	170.5	48.3
150	176.9	48.3

DEMS MB-J04



Çalışma Limitleri

Basınç: $\leq 2\text{MPa}$ (single ply bellow)
 $\leq 6.9\text{MPa}$ (double ply bellow)
 Hız: $\leq 25\text{m/s}$
 Sıcaklık: $-75^{\circ}\text{C} \sim +425^{\circ}\text{C}$

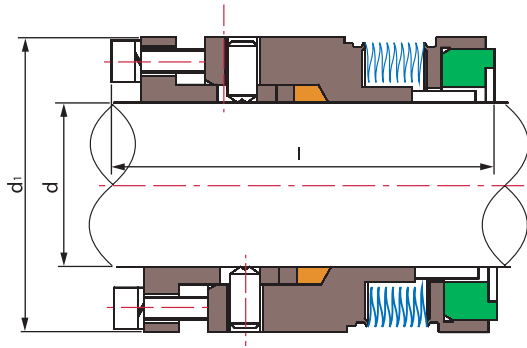
Operating Limits

Pressure: $\leq 2\text{MPa}$ (single ply bellow)
 $\leq 6.9\text{MPa}$ (double ply bellow)
 Speed: $\leq 25\text{m/s}$
 Temperature: $-75^{\circ}\text{C} \sim +425^{\circ}\text{C}$

- Döner Yüzey (SiC/Carbon/TC)
- Sabit Eleman (SiC/Carbon)
- Elastomer (Flexible Carbon)
- Metal Körükler(SUS316L/AM350/Inconel718 /Titanium/Hastelloy-C/Alloy-20)
- Diğer Parçalar (SUS304/SUS316/Titanium/Hastelloy-C)
- Rotary Ring(SiC/Carbon/TC)
- Stationary Ring(SiC/Carbon)
- Secondary Seal(Flexible Carbon)
- Metal Bellows(SUS316L/AM350/Inconel718 /Titanium/Hastelloy-C/Alloy-20)
- Other Parts(SUS304/SUS316/Titanium/Hastelloy-C)

Shaft (inches)	d	d ₁	l ₁	l ₂	Shaft (mm)	d	d ₁	l ₁	l ₂
1.000	1.000	1.937	1.969	1.138	25.00	25	49.20	50.01	28.91
1.125	1.125	2.062	1.969	1.138	30.00	30	52.37	50.01	28.91
1.250	1.250	2.187	1.969	1.138	32.00	32	55.55	50.01	28.91
1.375	1.375	2.312	1.938	1.138	35.00	35	58.72	49.23	28.91
1.500	1.500	2.562	2.063	1.191	38.00	38	65.07	52.40	30.25
1.625	1.625	2.562	2.060	1.222	40.00	40	65.07	52.32	31.04
1.750	1.750	2.687	2.060	1.254	45.00	45	68.25	52.32	31.85
1.875	1.875	2.812	2.062	1.254	48.00	48	71.42	52.37	31.85
2.000	2.000	2.937	2.060	1.285	50.00	50	74.60	52.32	32.64
2.125	2.125	3.187	2.182	1.316	55.00	55	80.95	55.42	33.43
2.250	2.250	3.312	2.218	1.384	60.00	60	87.30	55.52	35.03
2.375	2.375	3.437	2.186	1.379	65.00	65	90.47	55.47	35.81
2.500	2.500	3.562	2.184	1.410	70.00	70	100.00	57.15	40.84
2.625	2.625	3.687	2.250	1.443	75.00	75	106.35	57.15	40.84
2.750	2.750	3.937	2.250	1.608	80.00	80	109.52	57.15	40.84
2.875	2.875	4.062	2.281	1.608	85.00	85	115.87	57.96	40.84
3.000	3.000	4.187	2.250	1.608	90.00	90	119.05	60.27	41.91
3.125	3.125	4.312	2.250	1.608	95.00	95	125.40	60.33	41.91
3.250	3.250	4.437	2.219	1.608	100.00	100	128.57	60.33	41.91
3.375	3.375	4.562	2.282	1.608					
3.500	3.500	4.687	2.373	1.650					
3.625	3.625	4.812	2.375	1.650					
3.750	3.750	4.937	2.375	1.650					
3.875	3.875	5.062	2.375	1.650					

DEMS MB-J06



Çalışma Limitleri

Basınç: $\leq 2\text{MPa}$ (single ply bellow)
 $\leq 6.9\text{MPa}$ (double ply bellow)
 Hız: $\leq 25\text{m/s}$
 Sıcaklık: $-75^\circ\text{C} \sim +425^\circ\text{C}$

Operating Limits

Pressure: $\leq 2\text{MPa}$ (single ply bellow)
 $\leq 6.9\text{MPa}$ (double ply bellow)
 Speed: $\leq 25\text{m/s}$
 Temperature: $-75^\circ\text{C} \sim +425^\circ\text{C}$

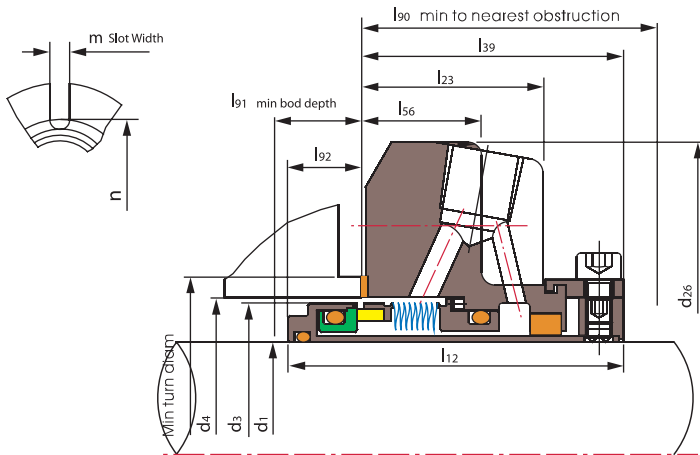
- Döner Yüzey (SiC/Carbon/TC)
- Sabit Eleman (SiC/Carbon)
- Elastomer (Flexible Carbon)
- Metal Körükler(SUS316L/AM350/Inconel718 /Titanium/Hastelloy-C/Alloy-20)
- Diğer Parçalar (SUS304/SUS316/Titanium/Hastelloy-C)
- Rotary Ring(SiC/Carbon/TC)
- Stationary Ring(SiC/Carbon)
- Secondary Seal(Flexible Carbon)
- Metal Bellows(SUS316L/AM350/Inconel718 /Titanium/Hastelloy-C/Alloy-20)
- Other Parts(SUS304/SUS316/Titanium/Hastelloy-C)

80

Shaft (inches)	d	d ₁	l
0.750	0.750	1.625	2.312
0.875	0.875	1.750	3.343
1.000	1.000	1.875	2.343
1.125	1.125	2.000	2.375
1.250	1.250	2.125	2.375
1.375	1.375	2.250	2.468
1.500	1.500	2.375	2.500
1.625	1.625	2.500	2.500
1.750	1.750	2.625	2.531
1.875	1.875	2.750	2.531
2.000	2.000	2.875	2.562
2.125	2.125	3.000	2.562
2.250	2.250	3.250	2.750
2.375	2.375	3.375	2.781
2.500	2.500	3.500	2.781
2.625	2.625	3.687	2.875
2.750	2.750	3.812	3.000
2.875	2.875	4.000	3.000
3.000	3.000	4.125	3.000
3.125	3.125	4.250	3.000
3.250	3.250	4.375	3.000
3.375	3.375	4.500	3.000
3.500	3.500	4.625	3.000
3.625	3.625	4.750	3.000
3.750	3.750	4.875	3.000

Shaft (mm)	d	d ₁	l
20	20	41.28	58.72
22	22	44.45	59.51
25	25	47.63	59.51
30	30	50.80	60.33
32	32	53.98	60.33
35	35	57.15	62.69
38	38	60.33	63.50
40	40	63.50	63.50
45	45	66.68	64.29
48	48	69.85	64.29
50	50	73.03	65.07
55	55	76.20	65.07
60	60	85.73	70.64
65	65	88.90	70.64
70	70	96.82	76.20
75	75	104.78	76.20
80	80	107.95	76.20
85	85	114.30	76.20
90	90	117.48	76.20
95	95	123.83	76.20
100	100	130.18	76.20

DEMS MB-J08



Çalışma Limitleri

Basınç: ≤ 2.1 MPa
 Hız: ≤ 25 m/s
 Sıcaklık: $-30^{\circ}\text{C} \sim +205^{\circ}\text{C}$

Operating Limits

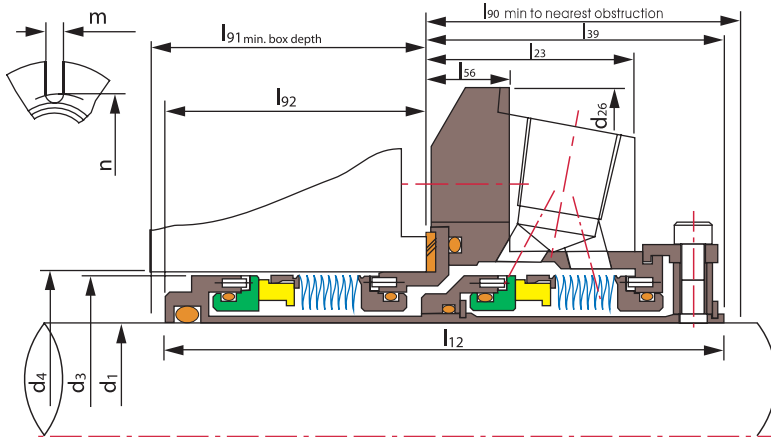
Pressure: ≤ 2.1 MPa
 Speed: ≤ 25 m/s
 Temperature: $-30^{\circ}\text{C} \sim +205^{\circ}\text{C}$

- Döner Yüzey (SiC/Carbon/TC)
- Sabit Eleman (SiC/Carbon)
- Elastomer (VITON/Encapsulated Ring)
- Metal Körükler (SUS316L/AM350/Inconel718 /Titanium/Hastelloy-C/Alloy-20)
- Diğer Parçalar (SUS304/SUS316/Titanium/Hastelloy-C)
- Rotary Ring (SiC/Carbon/TC)
- Stationary Ring (SiC/Carbon)
- Secondary Seal (VITON/Encapsulated Ring)
- Metal Bellows (SUS316L/AM350/Inconel718 /Titanium/Hastelloy-C/Alloy-20)
- Other Parts (SUS304/SUS316/Titanium/Hastelloy-C)

d ₁ (inches)	d ₃	d ₄		d ₂₆	l ₁₂	l ₂₃	l ₃₉	l ₅₆	l ₉₀	l ₉₁	l ₉₂	m	n
		min	max										
1.000	1.564	1.625	1.889	4.000	2.575	1.353	1.954	0.531	2.000	0.746	0.621	0.525	2.805
1.125	1.689	1.750	2.015	4.125	2.651	1.446	2.062	0.531	2.125	0.714	0.589	0.525	2.933
1.250	1.812	1.875	2.294	4.250	2.728	1.446	2.062	0.531	2.125	0.791	0.666	0.525	3.213
1.375	1.939	2.000	2.421	4.375	2.728	1.446	2.062	0.531	2.125	0.791	0.666	0.525	3.338
1.500	2.187	2.250	2.680	4.875	2.744	1.487	2.125	0.593	2.187	0.744	0.619	0.525	3.599
1.625	2.312	2.375	2.812	5.000	2.744	1.487	2.125	0.593	2.187	0.744	0.619	0.562	3.766
1.750	2.406	2.480	2.918	5.250	2.744	1.487	2.125	0.593	2.187	0.744	0.619	0.562	3.875
1.875	2.549	2.625	2.918	5.250	2.744	1.487	2.125	0.593	2.187	0.744	0.619	0.562	3.875
2.000	2.687	2.750	3.015	5.500	2.963	1.601	2.312	1.063	2.375	0.775	0.650	0.562	4.000
2.125	2.798	2.875	3.360	5.859	2.963	1.601	2.312	0.593	2.375	0.775	0.650	0.687	4.469
2.250	2.937	3.000	3.485	6.500	2.963	1.601	2.312	0.593	2.375	0.775	0.650	0.687	4.566
2.375	3.062	3.125	3.610	6.500	3.063	1.717	2.466	0.625	2.528	0.722	0.597	0.687	4.719
2.500	3.301	3.375	3.891	6.750	2.980	1.717	2.563	0.625	2.625	0.542	0.417	0.687	5.000
2.625	3.551	3.625	4.062	6.750	3.088	1.625	2.500	0.625	2.562	0.713	0.588	0.687	5.170
2.750	3.551	3.625	4.062	6.750	3.088	1.625	2.500	0.625	2.562	0.713	0.588	0.687	5.170
2.875	3.687	3.750	4.186	7.000	3.088	1.725	2.500	0.625	2.562	0.713	0.588	0.687	5.312
3.000	3.937	4.000	4.469	7.750	3.088	1.787	2.562	0.685	2.625	0.651	0.526	0.812	5.720

d ₁ (mm)	d ₃	d ₄		d ₂₆	l ₁₂	l ₂₃	l ₃₉	l ₅₆	l ₉₀	l ₉₁	l ₉₂	m	n
		min	max										
24	39.7	41.3	48.0	101.6	65.4	34.4	49.6	13.5	50.8	18.9	15.8	13.3	71.2
25	39.7	41.3	48.0	101.6	65.4	34.4	49.6	13.5	50.8	18.9	15.8	13.3	71.2
28	42.9	44.5	51.2	104.8	67.3	36.7	52.4	13.5	54.0	18.1	15.0	13.3	74.5
30	44.5	46.1	56.5	108.0	65.1	36.7	52.4	13.5	54.0	15.9	12.7	13.3	79.9
32	46.0	47.6	58.3	108.0	69.3	36.7	52.4	13.5	54.0	20.1	16.9	13.3	81.6
33	49.3	50.8	61.5	111.1	69.3	36.7	52.4	13.5	54.0	20.1	16.9	13.3	84.8
35	49.3	50.8	61.5	111.1	69.3	36.7	52.4	13.5	54.0	20.1	16.9	13.3	84.8
38	55.5	57.2	68.1	123.8	69.7	37.8	54.0	15.1	55.5	18.9	15.7	13.3	91.4
40	58.7	60.3	71.4	127.0	69.7	37.8	54.0	15.1	55.5	18.9	15.7	14.3	95.7
43	61.1	63.0	74.1	133.4	69.7	37.8	54.0	15.1	55.5	18.9	15.7	14.3	98.4
45	61.1	63.0	74.1	133.4	69.7	37.8	54.0	15.1	55.5	18.9	15.7	14.3	98.4
48	65.1	66.7	74.1	133.4	69.7	37.8	54.0	15.1	55.5	18.9	15.7	14.3	98.4
50	68.3	70.0	76.6	139.7	75.3	40.7	58.7	27.0	60.3	19.7	16.5	14.3	101.6
53	71.4	73.0	85.3	148.8	75.3	40.7	58.7	15.1	60.3	19.7	16.5	17.4	113.5
55	72.9	75.0	85.3	148.8	75.3	40.7	58.7	15.1	60.3	19.7	16.5	17.4	113.5
58	74.6	76.2	88.5	165.1	75.3	40.7	58.7	15.1	60.3	19.7	16.5	17.4	116.0
60	77.8	79.4	91.7	165.1	77.8	43.6	62.6	15.9	64.2	18.3	15.2	17.4	119.9
63	84.1	85.7	98.8	171.5	75.7	43.6	65.1	15.9	66.7	13.8	10.6	17.4	127.0
65	84.1	85.7	98.8	171.5	75.7	43.6	65.1	15.9	66.7	13.8	10.6	17.4	127.0
68	90.5	92.1	103.2	171.5	78.4	41.3	63.5	15.9	65.1	18.1	14.9	17.4	131.3
70	90.5	92.1	103.2	171.5	78.4	41.3	63.5	15.9	65.1	18.1	14.9	17.4	131.3
75	100.0	101.6	113.5	196.9	78.4	45.4	65.1	17.4	66.7	16.5	13.4	20.6	145.3

DEMS MB-J09



Çalışma Limitleri

Basınç: ≤ 2.1 MPa
 Hız: ≤ 25 m/s
 Sıcaklık: $-29^{\circ}\text{C} \sim +204^{\circ}\text{C}$

Operating Limits

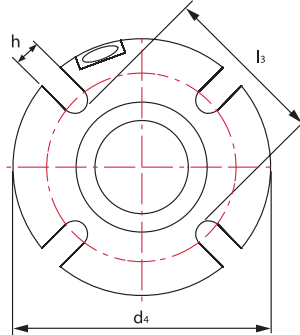
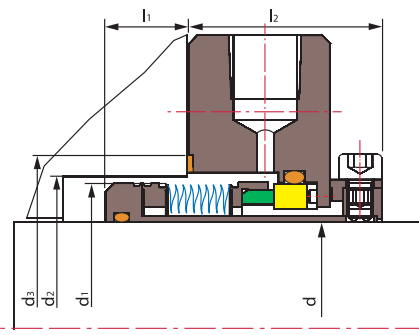
Pressure: ≤ 2.1 MPa
 Speed: ≤ 25 m/s
 Temperature: $-29^{\circ}\text{C} \sim +204^{\circ}\text{C}$

- Döner Yüzey (SiC/TC)
- Rotary Ring(SiC/TC)
- Sabit Eleman (SiC/Carbon/TC)
- Stationary Ring(SiC/Carbon/TC)
- Elastomer (VITON/Encapsulated Ring)
- Secondary Seal(VITON/Encapsulated Ring)
- Metal Körükler(SUS316L/AM350/Inconel718 /Titanium/Hastelloy-C/Alloy-20)
- Metal Bellows(SUS316L/AM350/Inconel718 /Titanium/Hastelloy-C/Alloy-20)
- Diğer Parçalar (SUS304/SUS316/Titanium/Hastelloy-C)
- Other Parts (SUS304/SUS316/Titanium/Hastelloy-C)

d ₁ (inches)	d ₃	d ₄		d ₂₆	l ₁₂	l ₂₃	l ₃₉	l ₅₆	l ₉₀	l ₉₁	l ₉₂	m	n
		min	max										
1.000	1.564	1.625	1.889	4.000	3.705	1.353	1.954	0.531	2.000	1.876	1.751	0.525	2.805
1.125	1.689	1.750	2.015	4.125	3.851	1.446	2.062	0.531	2.125	1.914	1.789	0.525	2.933
1.250	1.812	1.875	2.294	4.250	3.851	1.446	2.062	0.531	2.125	1.914	1.789	0.525	3.213
1.375	1.939	2.000	2.421	4.375	3.851	1.446	2.062	0.531	2.125	1.914	1.789	0.525	3.338
1.500	2.187	2.250	2.680	4.875	3.995	1.487	2.125	0.593	2.187	1.995	1.870	0.525	3.599
1.625	2.312	2.375	2.812	5.000	3.995	1.487	2.125	0.593	2.187	1.995	1.870	0.562	3.766
1.750	2.420	2.480	2.918	5.250	3.995	1.487	2.125	0.593	2.187	1.995	1.870	0.562	3.875
1.875	2.562	2.625	2.918	5.250	3.995	1.487	2.125	0.593	2.187	1.995	1.870	0.562	3.875
2.000	2.687	2.750	3.015	5.500	4.355	1.601	2.312	1.063	2.375	2.167	2.042	0.562	4.000
2.125	2.812	2.875	3.360	5.859	4.355	1.601	2.312	0.593	2.375	2.167	2.042	0.687	4.469
2.250	2.937	3.000	3.485	6.500	4.355	1.601	2.312	0.593	2.375	2.167	2.042	0.687	4.566
2.375	3.062	3.125	3.610	6.500	4.545	1.717	2.466	0.625	2.528	2.204	2.079	0.687	4.719
2.500	3.312	3.375	3.891	6.750	4.545	1.717	2.563	0.625	2.625	2.107	1.982	0.687	5.000
2.625	3.562	3.625	4.062	6.750	4.594	1.625	2.500	0.625	2.562	2.219	2.094	0.687	5.170
2.750	3.562	3.625	4.062	6.750	4.594	1.625	2.500	0.625	2.562	2.219	2.094	0.687	5.170
2.875	3.687	3.750	4.186	7.000	4.594	1.725	2.500	0.625	2.562	2.219	2.094	0.687	5.312
3.000	3.937	4.000	4.469	7.750	4.594	1.787	2.562	0.685	2.625	2.157	2.032	0.812	5.720

d ₁ (mm)	d ₃	d ₄		d ₂₆	l ₁₂	l ₂₃	l ₃₉	l ₅₆	l ₉₀	l ₉₁	l ₉₂	m	n
		min	max										
24	39.7	41.3	48.0	101.6	94.1	34.4	49.6	13.5	50.8	47.7	44.5	13.3	71.2
25	39.7	41.3	48.0	101.6	94.1	34.4	49.6	13.5	50.8	47.7	44.5	13.3	71.2
28	42.9	44.5	51.2	104.8	97.8	36.7	52.4	13.5	54.0	48.6	45.4	13.3	74.5
30	44.8	46.1	56.5	108.0	97.8	36.7	52.4	13.5	54.0	48.6	45.4	13.3	79.9
32	46.0	47.6	58.3	108.0	97.8	36.7	52.4	13.5	54.0	48.6	45.4	13.3	81.6
33	49.3	50.8	61.5	111.1	97.8	36.7	52.4	13.5	54.0	48.6	45.4	13.3	84.8
35	49.3	50.8	61.5	111.1	97.8	36.7	52.4	13.5	54.0	48.6	45.4	13.3	84.8
38	55.6	57.2	68.1	123.8	101.5	37.8	54.0	15.1	55.5	50.7	47.5	13.3	91.4
40	58.7	60.3	71.4	127.0	101.5	37.8	54.0	15.1	55.5	50.7	47.5	14.3	95.7
43	61.5	63.0	74.1	133.4	101.5	37.8	54.0	15.1	55.5	50.7	47.5	14.3	98.4
45	61.5	63.0	74.1	133.4	101.5	37.8	54.0	15.1	55.5	50.7	47.5	14.3	98.4
48	65.1	66.7	74.1	133.4	101.5	37.8	54.0	15.1	55.5	50.7	47.5	14.3	98.4
50	68.3	70.0	76.6	139.7	110.6	40.7	58.7	17.0	60.3	55.0	51.9	14.3	101.6
53	71.4	73.0	85.3	148.8	110.6	40.7	58.7	15.1	60.3	55.0	51.9	17.4	113.5
55	73.0	75.0	85.3	148.8	110.6	40.7	58.7	15.1	60.3	55.0	51.9	17.4	113.5
58	74.6	76.2	88.5	165.1	110.6	40.7	58.7	15.1	60.3	55.0	51.9	17.4	116.0
60	77.8	79.4	91.7	165.1	115.4	43.6	62.6	15.9	64.2	56.0	52.8	17.4	119.9
63	84.1	85.7	98.8	171.5	115.4	43.6	65.1	15.9	66.7	53.5	50.3	17.4	127.0
65	84.1	85.7	98.8	171.5	115.4	43.6	65.1	15.9	66.7	53.5	50.3	17.4	127.0
68	90.5	92.1	103.2	171.5	116.7	41.3	63.5	15.9	65.1	56.4	53.2	17.4	131.3
70	90.5	92.1	103.2	171.5	116.7	41.3	63.5	15.9	65.1	56.4	53.2	17.4	131.3
75	100.0	101.6	113.5	196.9	116.7	45.4	65.1	17.4	66.7	54.8	51.6	20.6	145.3

DEMS MB-J13



Çalışma Limitleri

Basınç: ≤ 2 MPa
 Hız: ≤ 25 m/s
 Sıcaklık: $-30^{\circ}\text{C} \sim +200^{\circ}\text{C}$

Operating Limits

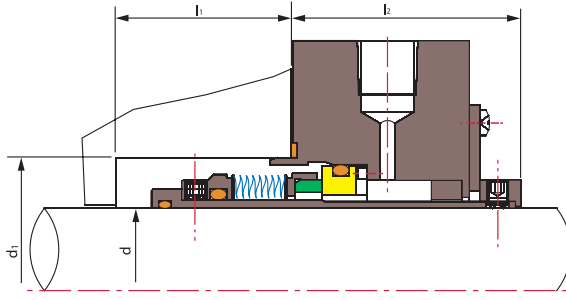
Pressure: ≤ 2 MPa
 Speed: ≤ 25 m/s
 Temperature: $-30^{\circ}\text{C} \sim +200^{\circ}\text{C}$

- Döner Yüzey (SiC/Carbon/TC)
- Sabit Eleman (SiC/Carbon/TC)
- Elastomer (VITON/Encapsulated Ring)
- Metal Körükler (SUS316L/AM350/Inconel718 /Titanium/Hastelloy-C/Alloy-20)
- Diğer Parçalar (SUS304/SUS316/Titanium/Hastelloy-C)
- Rotary Ring (SiC/Carbon/TC)
- Stationary Ring (SiC/TC)
- Secondary Seal (VITON/Encapsulated Ring)
- Metal Bellows (SUS316L/AM350/Inconel718 /Titanium/Hastelloy-C/Alloy-20)
- Other Parts (SUS304/SUS316/Titanium/Hastelloy-C)

d (inches)	d ₁	d ₂	d ₃	l ₁	l ₂	l ₃	h	d ₄
1.125	1.687	1.937	2.375	0.687	1.687	2.437	0.562	4.375
1.125	1.687	1.937	3.250	0.687	1.687	3.312	0.437	4.500
1.375	1.937	2.062	2.375	0.687	1.562	2.437	0.562	4.375
1.375	1.937	2.812	3.250	0.687	1.562	3.437	0.500	5.250
1.500	2.187	2.937	2.750	0.750	1.687	2.812	0.562	5.125
1.625	2.312	2.437	2.812	0.750	1.687	2.875	0.562	5.250
1.750	2.437	2.562	3.125	0.750	1.687	3.187	0.562	5.250
1.750	2.437	3.437	4.250	0.750	1.687	4.562	0.562	6.500
1.875	2.562	2.687	3.250	0.750	1.687	3.312	0.562	5.375
1.875	2.562	3.562	4.250	0.750	1.687	4.437	0.562	6.500
2.000	2.687	2.812	3.250	0.750	1.750	3.312	0.687	5.500
2.125	2.812	2.937	3.500	0.875	1.687	3.562	0.687	5.437
2.500	3.312	3.437	4.250	1.000	1.687	4.312	0.812	6.250
2.500	3.312	4.375	5.500	1.000	1.687	5.625	0.750	8.000
2.625	3.437	3.562	4.375	1.187	1.625	4.437	0.562	6.500
2.625	3.437	4.375	5.375	1.187	1.625	5.437	0.565	7.000
2.750	3.625	3.750	4.500	1.062	1.625	4.562	0.750	7.000
3.000	3.875	4.000	4.812	1.125	1.656	4.875	0.812	7.750
3.250	4.125	4.250	4.937	1.125	1.656	5.000	0.812	7.500
3.500	4.375	4.687	5.625	1.250	1.656	5.687	0.812	8.500

d (mm)	d ₁	d ₂	d ₃	l ₁	l ₂	l ₃	h	d ₄
28	42.8	49.2	60.3	17.4	42.9	61.9	14.3	111.1
33	49.2	52.4	60.3	17.4	39.7	61.9	14.3	106.0
35	49.2	52.4	60.3	17.4	39.7	61.9	14.3	106.0
38	55.5	58.7	69.8	19.0	42.9	71.5	14.3	130.2
40	58.7	61.9	71.4	19.1	42.8	73.0	14.3	133.4
43	61.9	65.7	79.4	19.1	42.9	81.0	14.3	133.4
45	61.9	65.1	79.4	19.1	42.9	81.0	14.3	133.4
48	65.1	68.3	82.6	19.0	44.5	84.2	17.4	139.7
50	68.2	71.4	82.6	19.0	44.5	84.2	17.4	138.0
53	71.4	74.6	88.9	22.2	42.9	90.5	17.4	138.0
55	71.4	74.6	88.9	22.2	42.9	90.5	17.4	138.0
60	80.9	84.1	96.8	25.4	41.3	98.4	17.4	158.8
65	87.3	90.5	109.5	30.2	41.2	111.1	17.4	177.8
70	92.1	95.2	114.3	27.0	41.2	115.9	17.5	190.0
75	98.4	101.6	122.2	28.5	42.1	123.8	20.6	196.9
80	104.8	108.0	125.4	28.5	42.1	127.0	19.1	190.0
85	108.0	111.1	125.4	31.7	42.1	127.0	19.1	203.2
100	128.6	131.8	154.0	34.9	42.1	155.6	22.2	228.6

DEMS MB-FS02



Çalışma Limitleri

Basınç: ≤ 2.7 MPa
 Hız: ≤ 23 m/s
 Sıcaklık: $-30^{\circ}\text{C} \sim +204^{\circ}\text{C}$

Operating Limits

Pressure: ≤ 2.7 MPa
 Speed: ≤ 23 m/s
 Temperature: $-30^{\circ}\text{C} \sim +200^{\circ}\text{C}$

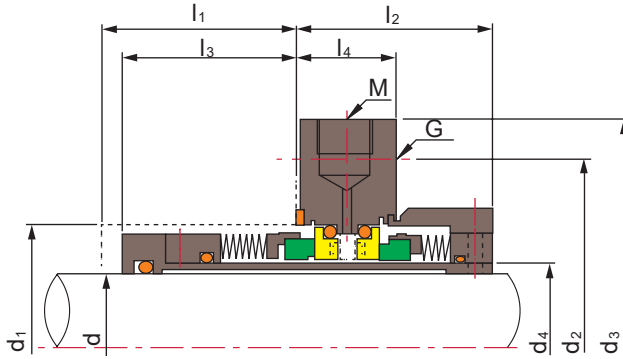
- Döner Yüzey (SiC/Carbon/TC)
- Sabit Eleman (SiC/TC)
- Elastomer (VITON/Encapsulated Ring)
- Metal Körükler (SUS316L/AM350/Inconel718 /Titanium/Hastelloy-C/Alloy-20)
- Diğer Parçalar (SUS304/SUS316/Titanium/Hastelloy-C)
- Rotary Ring (SiC/Carbon/TC)
- Stationary Ring (SiC/TC)
- Secondary Seal (VITON/Encapsulated Ring)
- Metal Bellows (SUS316L/AM350/Inconel718 /Titanium/Hastelloy-C/Alloy-20)
- Other Parts (SUS304/SUS316/Titanium/Hastelloy-C)

84

d ₁ (inches)	d	l ₁	l ₂
1.625	0.750	1.437	1.937
1.687	0.812	1.468	1.968
1.750	0.875	1.468	1.968
1.875	1.000	1.406	2.000
2.000	1.125	1.281	2.312
2.125	1.250	1.375	2.312
2.250	1.375	1.531	2.343
2.562	1.437	1.625	2.375
2.687	1.562	1.937	2.500
2.812	1.687	1.968	2.500
2.937	1.812	1.937	2.531
3.187	1.937	1.906	2.656
3.312	2.062	1.906	2.656
3.437	2.187	1.906	2.718
3.562	2.250	2.062	2.718
3.562	2.375	2.062	2.718
3.687	2.500	2.125	2.875
3.937	2.625	2.062	3.000
4.062	2.750	2.062	3.000
4.250	2.875	2.156	3.156
4.375	3.000	2.156	3.156
4.500	3.125	2.156	3.156
4.625	3.250	2.156	3.156
4.875	3.500	2.156	3.156
5.187	3.750	2.156	3.375
5.500	4.000	2.156	3.406
5.750	4.250	2.156	3.406
6.250	4.750	2.250	3.406

d ₁	d (mm)	l ₁	l ₂
19.0	41.3	28.6	30.2
20.6	42.8	29.4	50.0
22.2	44.4	29.4	30.2
25.4	47.6	27.8	30.2
28.6	50.8	24.6	34.9
31.8	54.0	26.2	34.9
34.9	57.1	30.2	34.9
36.5	65.1	32.5	34.9
39.7	68.3	34.1	34.9
42.9	71.4	34.9	34.9
46.0	74.8	34.1	34.9
49.2	81.0	33.3	34.9
52.4	84.1	33.3	34.9
55.6	87.3	33.3	34.9
57.1	90.5	37.3	34.9
60.3	90.5	37.3	34.9
63.5	93.7	38.9	34.9
66.7	100.0	38.1	38.1
69.9	103.2	38.1	38.1
73.0	107.9	39.7	42.9
76.2	111.1	39.7	42.9
79.4	114.3	39.7	42.9
82.5	117.5	39.7	42.9
88.9	123.8	39.7	42.9
95.3	131.8	39.7	42.9
101.6	139.7	39.7	86.5
107.9	146.1	39.7	43.7
120.6	158.8	39.7	43.7

DEMS MB-FS07



Çalışma Limitleri

Basınç: ≤2MPa
Hız: ≤25m/s
Sıcaklık: -30°C~+204°C

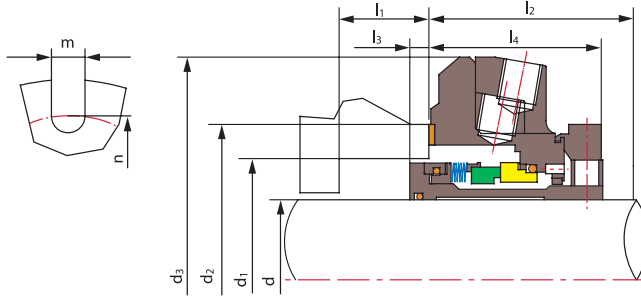
Operating Limits

Pressure: ≤2MPa
Speed: ≤25m/s
Temperature: -30°C~+204°C

- Döner Yüzey (SiC/Carbon/TC)
- Sabit Eleman (SiC/TC)
- Elastomer (VITON/Encapsulated Ring)
- Metal Körükler(SUS316L/AM350/Inconel718 /Titanium/Hastelloy-C/Alloy-20)
- Diğer Parçalar (SUS304/SUS316/Titanium/Hastelloy-C)
- Rotary Ring(SiC/Carbon/TC)
- Stationary Ring(SiC/TC)
- Secondary Seal(VITON/Encapsulated Ring)
- Metal Bellows(SUS316L/AM350/Inconel718 /Titanium/Hastelloy-C/Alloy-20)
- Other Parts (SUS304/SUS316/Titanium/Hastelloy-C)

d ₄ (inches)	d	d ₁		l ₁ min	l ₃	l ₂	l ₄	G		d ₂ min	d ₃	M
		min	max					max	min			
1.125	1.000	1.750	1.875	1.780	1.690	2.000	1.020	0.375	2.750	3.750	3/8	
*1.250	1.125	1.750	2.000	1.780	1.690	2.000	1.020	0.500	3.000	3.880	3/8	
1.375	1.250	2.000	2.125	1.970	1.880	2.000	1.020	0.500	3.120	4.250	3/8	
*1.500	1.375	2.000	2.250	1.970	1.880	2.000	1.020	0.375	3.250	4.250	3/8	
1.625	1.500	2.250	2.500	1.970	1.880	2.000	1.020	0.375	3.750	4.750	3/8	
1.750	1.625	2.375	2.625	1.970	1.880	2.000	1.020	0.500	3.750	4.750	3/8	
1.875	1.750	2.500	2.750	1.970	1.880	2.000	1.020	0.500	3.750	5.000	3/8	
2.000	1.875	2.625	2.875	1.970	1.880	2.000	1.020	0.500	3.880	5.000	3/8	
2.125	2.000	2.750	3.000	1.970	1.880	2.000	1.020	0.625	4.120	5.120	3/8	
2.250	2.125	2.875	3.250	1.970	1.880	2.000	1.020	0.625	4.380	6.000	3/8	
2.375	2.250	3.000	3.375	1.970	1.880	2.000	1.020	0.625	4.620	6.500	3/8	
2.500	2.375	3.250	3.625	2.160	2.060	2.090	1.110	0.625	5.000	6.380	3/8	
2.625	2.500	3.375	3.750	2.160	2.060	2.090	1.110	0.625	5.000	6.620	3/8	
2.750	2.625	3.500	3.875	2.160	2.060	2.090	1.110	0.750	5.750	7.250	3/8	
2.875	2.750	3.750	\	2.160	2.060	2.620	1.580	As Required			3/4	
**3.000	2.750	3.875	\	2.160	2.060	2.620	1.580				3/4	
3.000	2.875	3.875	\	2.160	2.060	2.620	1.580				3/4	
**3.125	2.875	4.000	\	2.160	2.060	2.620	1.580				3/4	
3.125	3.000	4.000	\	2.160	2.060	2.620	1.580				3/4	
**3.250	3.000	4.125	\	2.160	2.060	2.620	1.580				3/4	
3.375	3.125	4.250	\	2.160	2.060	2.620	1.580				3/4	
3.500	3.250	4.375	\	2.280	2.190	2.750	1.710				3/4	
3.625	3.375	4.500	\	2.280	2.190	2.750	1.710				3/4	
3.750	3.500	4.625	\	2.280	2.190	2.750	1.710				3/4	
3.875	3.625	4.750	\	2.280	2.190	2.750	1.710				3/4	
4.000	3.750	4.875	\	2.280	2.190	2.750	1.710				3/4	
4.125	3.875	5.000	\	2.280	2.190	2.750	1.710	3/4				

DEMS MB-FS08



Çalışma Limitleri

Basınç: $\leq 2\text{MPa}$
 Hız: $\leq 23\text{m/s}$
 Sıcaklık: $-40^\circ\text{C} \sim +220^\circ\text{C}$

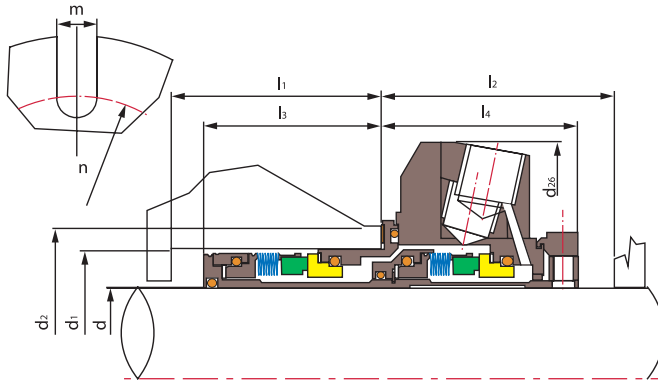
Operating Limits

Pressure: $\leq 2\text{MPa}$
 Speed: $\leq 23\text{m/s}$
 Temperature: $-40^\circ\text{C} \sim +220^\circ\text{C}$

- Döner Yüzey (SiC/Carbon/TC)
- Sabit Eleman (SiC/vTC)
- Elastomer (VITON/Encapsulated Ring)
- Metal Körükler (SUS316L/AM350/Inconel718 /Titanium/Hastelloy-C/Alloy-20)
- Diğer Parçalar (SUS304/SUS316/Titanium/Hastelloy-C)
- Rotary Ring (SiC/Carbon/TC)
- Stationary Ring (SiC/TC)
- Secondary Seal (VITON/Encapsulated Ring)
- Metal Bellows (SUS316L/AM350/Inconel718 /Titanium/Hastelloy-C/Alloy-20)
- Other Parts (SUS304/SUS316/Titanium/Hastelloy-C)

d (inches)	d ₁		d ₂	d ₃	l ₃	l ₁	l ₄	l ₂	n	m
	min	max				min				
1.000	1.625	1.875	2.115	3.69~3.75	0.212	0.274	1.913	1.975	2.750	0.440
1.125	1.750	2.000	2.240	3.69~3.75	0.212	0.274	1.913	1.975	2.875	0.440
1.250	1.890	2.245	2.495	4.19~4.25	0.212	0.274	1.913	1.975	3.125	0.562
1.375	2.000	2.375	2.615	3.94~4.00	0.212	0.264	1.913	1.975	3.250	0.440
1.437	2.250	2.688	2.775	4.72~4.78	0.222	0.284	1.973	2.035	3.750	0.560
1.500	2.250	2.525	2.775	4.69~4.75	0.202	0.264	1.973	2.035	3.750	0.560
1.625	2.375	2.780	3.030	4.69~4.75	0.202	0.264	1.973	2.035	3.750	0.560
1.750	2.500	2.875	3.150	4.94~5.00	0.202	0.264	1.973	2.035	3.875	0.560
1.875	2.625	2.875	3.150	4.94~5.00	0.202	0.264	1.973	2.035	3.875	0.560
1.937	2.690	2.920	\	\	0.207	0.269	1.973	2.035	\	\
2.000	2.750	3.030	3.280	5.00~5.12	0.202	0.264	1.973	2.035	1.120	0.688
2.125	2.875	3.125	3.430	5.94~6.00	0.202	0.264	1.973	2.035	4.250	0.750
2.250	3.000	3.280	\	\	0.206	0.268	1.973	2.035	\	\
2.375	3.125	3.687	3.975	6.32~6.38	0.202	0.264	1.973	2.035	4.875	0.750
2.437	3.375	3.450	\	6.32~6.38	0.233	0.295	1.942	2.004	4.875	0.750
2.500	3.375	3.687	3.975	6.32~6.38	0.202	0.264	1.973	2.035	4.875	0.750
2.625	3.625	4.312	4.615	7.19~7.25	0.204	0.266	2.726	2.788	5.625	0.880
2.750	3.750	4.312	4.615	7.19~7.25	0.204	0.266	2.726	2.788	5.625	0.880

DEMS MB-FS09



Çalışma Limitleri

Basınç: $\leq 2.1\text{MPa} \leq 75\text{mm}$
 $\leq 1.3\text{MPa} > 75\text{mm}$
 Hız: $\leq 25\text{m/s}$
 Sıcaklık: $-30^\circ\text{C} \sim +205^\circ\text{C}$

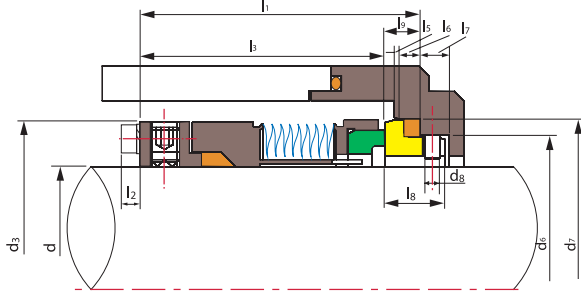
Operating Limits

Pressure: $\leq 2.1\text{MPa} \leq 75\text{mm}$
 $\leq 1.3\text{MPa} > 75\text{mm}$
 Speed: $\leq 25\text{m/s}$
 Temperature: $-30^\circ\text{C} \sim +205^\circ\text{C}$

- Döner Yüzey (SiC/Carbon/TC)
- Sabit Eleman (SiC/TC)
- Elastomer (VITON/Encapsulated Ring)
- Metal Körükler (SUS316L/AM350/Inconel718 /Titanium/Hastelloy-C/Alloy-20)
- Diğer Parçalar (SUS304/SUS316/Titanium/Hastelloy-C)
- Rotary Ring (SiC/Carbon/TC)
- Stationary Ring (SiC/TC)
- Secondary Seal (VITON/Encapsulated Ring)
- Metal Bellows (SUS316L/AM350/Inconel718 /Titanium/Hastelloy-C/Alloy-20)
- Other Parts (SUS304/SUS316/Titanium/Hastelloy-C)

d (inches)	d ₁		d ₂	d ₂₆	l ₃	l ₁	l ₄	l ₂	n	m
	min	max								
1.000	1.625	1.875	2.115	3.69~3.75	1.838	1.900	2.062	2.124	2.750	0.440
1.125	1.750	2.000	2.240	3.69~3.75	1.838	1.900	2.062	2.124	2.875	0.440
1.250	1.890	2.245	2.495	4.19~4.25	1.838	1.900	2.062	2.124	3.125	0.562
1.375	2.000	2.375	2.615	3.94~4.00	1.838	1.900	2.062	2.124	3.250	0.440
1.437	2.250	2.688	2.775	4.72~4.78	1.903	1.965	2.122	2.184	3.750	0.560
1.500	2.250	2.525	2.775	4.69~4.75	1.903	1.965	2.122	2.184	3.750	0.560
1.625	2.375	2.780	3.030	4.69~4.75	1.903	1.965	2.122	2.184	3.750	0.560
1.750	2.500	2.875	3.150	4.94~5.00	1.903	1.965	2.122	2.184	3.875	0.560
1.875	2.625	2.875	3.150	4.94~5.00	1.903	1.965	2.122	2.184	3.875	0.560
1.937	2.690	2.920	\	\	1.903	1.965	2.122	2.184	\	\
2.000	2.750	3.030	3.280	5.00~5.12	1.903	1.965	2.122	2.184	4.120	0.688
2.125	2.875	3.125	3.430	5.94~6.00	1.903	1.965	2.122	2.184	4.250	0.750
2.250	3.000	3.280	\	\	1.903	1.965	2.122	2.184	\	\
2.375	3.125	3.687	3.975	6.32~6.38	1.903	1.965	2.122	2.184	4.875	0.750
2.437	3.375	3.450	\	6.32~6.38	1.934	1.996	2.091	2.153	4.875	0.750
2.500	3.375	3.687	3.975	6.32~6.38	1.903	1.965	2.122	2.184	4.875	0.750
2.625	3.625	4.312	4.615	7.19~7.25	2.429	2.491	2.906	2.968	5.625	0.880
2.750	3.750	4.312	4.615	7.19~7.25	2.429	2.491	2.906	2.968	5.625	0.880

DEMS MB-B04



Çalışma Limitleri

Basınç: $\leq 2.5\text{MPa}$
 Hız: $\leq 20\text{m/s}$
 Sıcaklık: $-100^{\circ}\text{C} \sim +400^{\circ}\text{C}$

Operating Limits

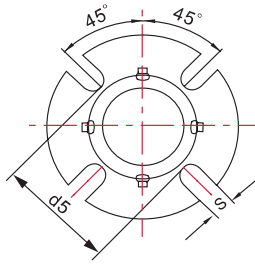
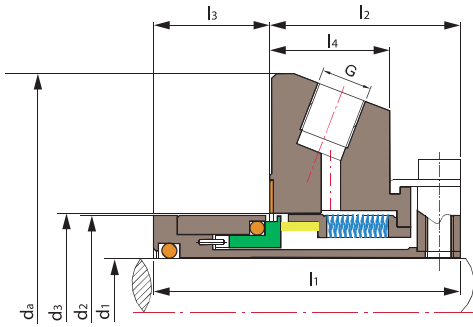
Pressure: $\leq 2.5\text{MPa}$
 Speed: $\leq 20\text{m/s}$
 Temperature: $-100^{\circ}\text{C} \sim +400^{\circ}\text{C}$

- Döner Yüzey (SiC/Carbon/TC)
- Sabit Eleman (SiC/TC)
- Elastomer (Flexible Craphite)
- Metal Körükler (SUS316L/AM350/Inconel718 /Titanium/Hastelloy-C/Alloy-20)
- Diğer Parçalar (SUS304/SUS316/Titanium/Hastelloy-C)
- Rotary Ring (SiC/Carbon/TC)
- Stationary Ring (SiC/TC)
- Secondary Seal (Flexible Craphite)
- Metal Bellows (SUS316L/AM350/Inconel718 /Titanium/Hastelloy-C/Alloy-20)
- Other Parts (SUS304/SUS316/Titanium/Hastelloy-C)

88

d (mm)	d3	d6	d7	d8	l1	l3	l5	l6	l7	l8	l9	l2
16	38	29.0	35.0	3	58.0	46.5	2.0	5	9	19.5	11.5	5
18	40	31.0	37.0	3	58.0	46.5	2.0	5	9	19.5	11.5	5
20	42	34.0	40.0	3	58.0	46.5	2.0	5	9	19.5	11.5	5
22	44	37.0	43.0	3	58.0	46.5	2.0	5	9	19.5	11.5	5
24	46	37.0	43.0	3	58.0	46.5	2.0	5	9	19.5	11.5	5
25	47	39.0	45.0	3	58.0	46.5	2.0	5	9	19.5	11.5	5
28	50	42.0	48.0	3	58.0	46.5	2.0	5	9	19.5	11.5	5
30	52	44.0	50.0	3	58.0	46.5	2.0	5	9	19.5	11.5	5
32	54	49.0	56.0	4	60.5	46.5	2.0	6	9	22.0	14.0	5
33	55	49.0	56.0	4	60.5	46.5	2.0	6	9	22.0	14.0	5
35	57	51.0	58.0	4	60.5	46.5	2.0	6	9	22.0	14.0	5
38	60	54.0	61.0	4	60.5	46.5	2.0	6	9	22.0	14.0	5
40	66	56.0	63.0	4	61.5	47.5	2.0	6	9	22.0	14.0	6
43	69	59.0	66.0	4	61.5	47.5	2.0	6	9	22.0	14.0	6
45	71	62.0	70.0	4	62.5	47.5	2.5	6	9	23.0	15.0	6
48	74	65.0	73.0	4	62.5	47.5	2.5	6	9	23.0	15.0	6
50	76	67.0	75.0	4	62.5	47.5	2.5	6	9	23.0	15.0	6
53	79	70.0	78.0	4	62.5	47.5	2.5	6	9	23.0	15.0	6
55	81	72.0	80.0	4	62.5	47.5	2.5	6	9	23.0	15.0	6
58	85	75.0	83.0	4	68.0	53.0	2.5	6	9	23.0	15.0	6
60	87	77.0	85.0	4	68.0	53.0	2.5	6	9	23.0	15.0	6
63	90	81.0	90.0	4	71.0	53.0	2.5	7	9	26.0	18.0	6
65	92	83.0	92.0	4	71.0	53.0	2.5	7	9	26.0	18.0	6
68	95	88.0	97.0	4	71.0	53.0	2.5	7	9	26.0	18.0	6
70	97	88.0	97.0	4	71.0	53.0	2.5	7	9	26.0	18.0	6
75	102	95.0	105.0	4	71.0	52.8	3.0	7	9	26.2	18.2	6
80	107	100.0	110.0	4	71.0	52.8	3.0	7	9	26.2	18.2	6
85	112	105.0	115.0	4	71.0	52.8	3.0	7	9	26.2	18.2	6
90	117	110.0	120.0	4	71.0	53.8	3.0	7	9	25.2	17.2	6
95	122	115.0	125.0	4	71.0	53.8	3.0	7	9	25.2	17.2	6
100	127	122.2	134.3	5	74.0	54.0	3.0	9	11	30.0	20.0	6

DEMS MB-B07



Burgman MTEX muadili
Replace Burgmann MTEX

Çalışma Limitleri

Basınç: $\leq 2\text{MPa}$
Hız: $\leq 25\text{m/s}$
Sıcaklık: $30^\circ\text{C} \sim +200^\circ\text{C}$

Operating Limits

Pressure: $\leq 2\text{MPa}$
Speed: $\leq 25\text{m/s}$
Temperature: $-30^\circ\text{C} \sim +200^\circ\text{C}$

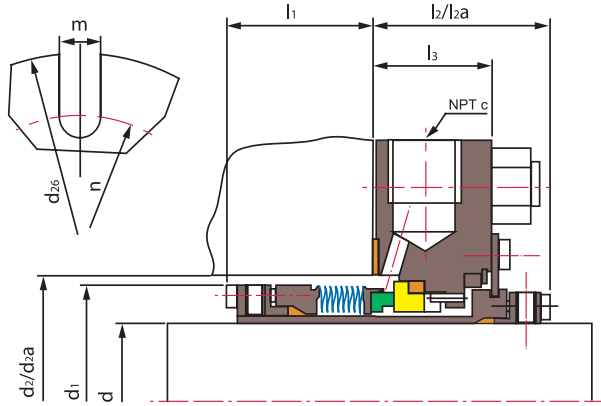
- Döner Yüzey (SiC/TC)
- Sabit Eleman (Carbon/SiC/TC)
- Elastomer (VITON/PTFE/Encapsulated Ring)
- Metal Körukler (SUS316L/AM350/Inconel718 /Titanium)
- Diğer Parçalar (300 Series Stainless Steel)

- Rotary Ring(SiC/TC)
- Stationary Ring (Carbon/SiC/TC)
- Secondary Seal (VITON/PTFE/Encapsulated Ring)
- Metal Bellows (SUS316L/AM350/Inconel718 /Titanium)
- Other Parts (300 Series Stainless Steel)

89

Seal size d(mm)	d ₁	d ₂	d ₃		d _a	l ₁	l ₂	l ₃	l ₄	S	G (Inches)	d ₅
			min	max								
25	25	43.0	44.0	51.0	105	67	42.4	24.6	25.4	14	1/4"	62
28	28	46.0	47.0	52.0	105	67	42.4	24.6	25.4	14	1/4"	62
30	30	48.0	49.0	56.0	105	67	42.4	24.6	25.4	14	1/4"	65
32	32	49.8	51.0	57.0	110	67	42.4	24.6	25.4	14	1/4"	67
33	33	49.8	51.0	57.0	110	67	42.4	24.6	25.4	14	1/4"	67
35	35	53.0	54.0	61.5	113	67	42.4	24.6	25.4	14	1/4"	71
38	38	56.0	57.0	66.0	123	67	42.4	24.6	25.4	14	1/4"	76
40	40	58.0	59.0	68.0	123	67	42.4	24.6	25.4	16	3/8"	76
42	42	60.5	61.5	69.5	133	67	42.4	24.6	25.4	16	3/8"	80
43	43	60.5	61.5	70.5	133	67	42.4	24.6	25.4	16	3/8"	80
45	45	62.5	64.0	73.0	138	67	42.4	24.6	25.4	16	3/8"	83
48	48	65.6	67.0	75.0	138	67	42.4	24.6	25.4	16	3/8"	85
50	50	68.0	69.0	78.0	148	67	42.4	24.6	25.4	16	3/8"	88
53	53	72.0	73.0	83.0	148	67	42.4	24.6	25.4	18	3/8"	98
55	55	73.0	74.0	87.0	148	67	42.4	24.6	25.4	18	3/8"	97
60	60	78.0	79.0	91.0	157	67	42.4	24.6	25.4	18	3/8"	102
65	65	83.0	84.5	98.5	163	67	42.4	24.6	25.4	18	3/8"	109
70	70	93.0	95.0	108.0	178	67	42.4	24.6	25.4	18	3/8"	118
75	75	100.0	101.6	118.0	190	84	57.4	26.6	28.0	18	3/8"	129
80	80	106.4	108.0	124.0	195	84	57.4	26.6	28.0	18	3/8"	135
85	85	109.5	111.1	128.0	198	84	57.4	26.6	28.0	22	3/8"	139
90	90	115.9	117.5	135.0	205	84	57.4	26.6	28.0	22	3/8"	145
95	95	119.1	120.7	138.0	208	84	57.4	26.6	28.0	22	3/8"	148
100	100	125.4	127.0	144.0	218	84	57.4	26.6	28.0	22	3/8"	154

DEMS MB-C02



Çalışma Limitleri

Basınç: $\leq 2\text{MPa}$
 Hız: $\leq 20\text{m/s}$
 Sıcaklık: $-73^{\circ}\text{C} \sim +427^{\circ}\text{C}$

Operating Limits

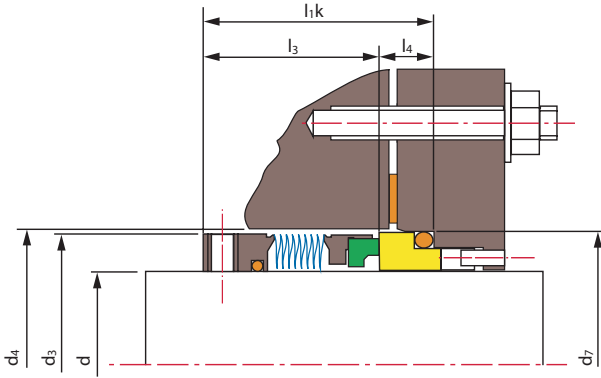
Pressure: $\leq 2\text{MPa}$
 Speed: $\leq 20\text{m/s}$
 Temperature: $-73^{\circ}\text{C} \sim +427^{\circ}\text{C}$

- Döner Yüzey (SiC/Carbon/TC)
- Sabit Eleman (SiC/TC)
- Elastomer (Flexible Craphite)
- Metal Körükler(SUS316L/AM350/Inconel718 /Titanium/Hastelloy-C/Alloy-20)
- Diğer Parçalar (SUS304/SUS316/Titanium/Hastelloy-C)
- Rotary Ring(SiC/Carbon/TC)
- Stationary Ring(SiC/TC)
- Secondary Seal(Flexible Craphite)
- Metal Bellows(SUS316L/AM350/Inconel718 /Titanium/Hastelloy-C/Alloy-20)
- Other Parts (SUS304/SUS316/Titanium/Hastelloy-C)

d (inches)	d ₂₆	d ₂	d _{2a}	d ₁	l ₁	l ₂	l _{2a}	n			m	l ₃	c
	max	min	min	max	min	max	max	3/8"	1/2"	5/8"	max	max	
1.125	4.250	2.000	2.250	1.940	1.640	1.920	2.050	3.120	3.240	\	0.500	1.260	3/8
1.125	4.250	1.880	2.130	0.810	1.580	1.920	2.050	2.870	\	\	0.440	1.260	3/8
1.250	4.500	2.250	2.380	2.170	1.680	1.920	2.050	3.190	3.310	\	0.500	1.260	3/8
1.375	4.750	2.380	2.630	2.300	1.680	1.990	2.110	3.490	3.620	\	0.560	1.320	3/8
1.375	4.250	2.130	2.380	2.060	1.640	1.920	2.050	3.240	\	\	0.440	1.260	3/8
1.500	5.250	2.500	2.750	2.420	1.680	1.990	2.110	3.620	3.740	\	0.560	1.320	1/2
1.625	5.500	2.630	2.880	2.550	1.680	1.990	2.110	3.740	3.870	\	0.560	1.320	1/2
1.750	5.750	2.750	3.000	2.670	1.680	1.990	2.110	3.870	3.990	\	0.560	1.320	1/2
1.875	6.000	2.880	3.250	2.800	1.800	2.050	2.170	4.120	4.240	\	0.560	1.380	1/2
2.000	6.250	3.000	3.380	2.920	1.800	2.050	2.170	4.240	4.370	4.490	0.690	1.380	1/2
2.125	6.250	3.130	3.500	3.050	1.800	2.050	2.170	4.370	4.490	4.620	0.690	1.380	1/2
2.250	6.500	3.250	3.630	3.190	1.800	2.050	2.170	4.490	4.620	4.740	0.690	1.380	1/2
2.375	6.500	3.380	3.630	3.310	1.800	2.110	2.240	4.490	4.620	4.740	0.690	1.450	1/2
2.500	6.500	3.500	3.750	3.440	1.800	2.110	2.240	4.620	4.740	4.870	0.690	1.450	1/2
2.625	6.750	3.750	4.000	3.630	1.830	2.110	2.240	4.870	4.990	5.120	0.690	1.450	1/2

d (mm)	d ₂₆	d ₂	d _{2a}	d ₁	l ₁	l ₂	l _{2a}	n			m	l ₃	c
	max	min	min	max	min	max	max	10mm	12mm	16mm	max	max	
25	108	48	54	46	42	49	52	76	78	\	13	32	3/8
30	108	51	57	49	42	49	52	79	82	\	13	32	3/8
32	114	57	60	55	43	49	52	81	99	\	13	32	3/8
35	121	60	67	58	43	50	54	89	92	\	14	34	3/8
38	133	64	70	61	43	50	54	92	95	\	14	34	1/2
40	140	67	73	65	43	50	54	95	98	\	14	34	1/2
42	140	67	73	65	43	50	54	95	98	\	14	34	1/2
45	146	70	76	68	43	50	54	98	101	\	14	34	1/2
50	159	76	80	74	46	52	55	108	111	114	18	35	1/2
55	159	79	89	77	46	52	55	111	114	117	18	35	1/2
60	165	86	92	84	46	54	57	114	117	120	18	37	1/2
65	165	89	95	87	46	54	57	117	120	123	18	37	1/2

DEMS MB-A01



Çalışma Limitleri

Basınç: $\leq 2\text{MPa}$
 Hız: $\leq 20\text{m/s}$
 Sıcaklık: $-30^{\circ}\text{C} \sim +204^{\circ}\text{C}$

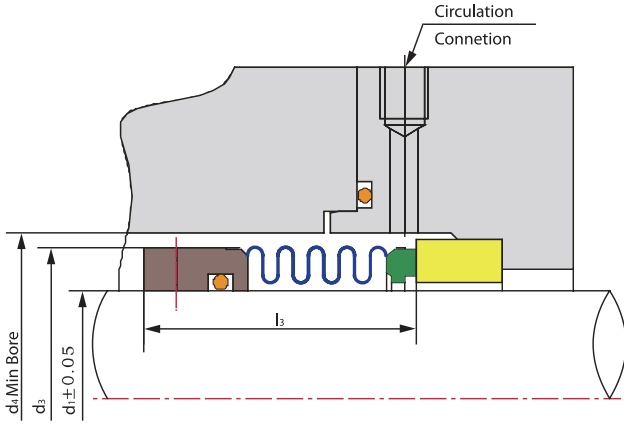
Operating Limits

Pressure: $\leq 2\text{MPa}$
 Speed: $\leq 20\text{m/s}$
 Temperature: $-30^{\circ}\text{C} \sim +204^{\circ}\text{C}$

- Döner Yüzey (SiC/Carbon/TC)
- Sabit Eleman (SiC/TC)
- Elastomer (VITON/Encapsulated Ring/PTFE)
- Metal Körükler (SUS316L/AM350/Inconel718 /Titanium/Hastelloy-C/Alloy-20)
- Diğer Parçalar (SUS304/SUS316/Titanium/Hastelloy-C)
- Rotary Ring (SiC/Carbon/TC)
- Stationary Ring (SiC/TC)
- Secondary Seal (VITON/Encapsulated Ring/PTFE)
- Metal Bellows (SUS316L/AM350/Inconel718 /Titanium/Hastelloy-C/Alloy-20)
- Other Parts (SUS304/SUS316/Titanium/Hastelloy-C)

d (mm)	l ₃	l _{1,k}	l ₄	d ₇	d ₃	d ₄
24	29.9	40.0	10.1	39	38	40
25	29.9	40.0	10.1	40	39	41
28	32.4	42.5	10.1	43	42	44
30	32.4	42.5	10.1	45	44	46
32	32.4	42.5	10.1	48	46	48
33	32.4	42.5	10.1	48	47	49
35	32.4	42.5	10.1	50	49	51
38	33.9	45.0	11.1	56	54	58
40	33.9	45.0	11.1	58	56	60
43	33.9	45.0	11.1	61	59	63
45	33.9	45.0	11.1	63	61	65
48	33.9	45.0	11.1	66	64	68
50	34.4	47.5	13.1	70	66	70
53	34.4	47.5	13.1	73	69	73
55	34.4	47.5	13.1	75	71	75
58	38.9	52.5	13.6	78	78	83
60	38.9	52.5	13.6	80	80	85
63	38.9	52.5	13.6	83	83	88
65	38.9	52.5	13.6	85	85	90
68	37.4	52.5	15.1	90	88	93
70	44.9	60.0	15.1	92	90	95
75	44.9	60.0	15.1	97	99	104
80	44.2	60.0	15.8	105	104	109
85	44.2	60.0	15.8	110	109	114
90	49.2	65.0	15.8	115	114	119
95	49.2	65.0	15.8	120	119	124
100	49.2	65.0	15.8	125	124	129

DEMS MB-PZ02



Çalışma Limitleri

Basınç: $\leq 2\text{MPa}$
 Hız: $\leq 25\text{m/s}$
 Sıcaklık: $-40^\circ\text{C} \sim +200^\circ\text{C}$

Operating Limits

Pressure: $\leq 2\text{MPa}$
 Speed: $\leq 25\text{m/s}$
 Temperature: $-40^\circ\text{C} \sim +200^\circ\text{C}$

- Döner Yüzey (Carbon/SiC/SSiC/TC)
- Sabit Eleman (Carbon/SiC/SSiC)
- Geniş Metal Körük (SUS304/SUS316/AM350/Inconel718/Titanium/Hastelloy-C/Alloy-20)
- Diğer Parçalar (SUS304/SUS316/Titanium/Hastelloy-C)
- Rotary Ring (Carbon/SiC/SSiC/TC)
- Stationary Ring (Carbon/SiC/SSiC)
- Expand Metal Bellows (SUS304/SUS316/AM350/Inconel718/Titanium/Hastelloy-C/Alloy-20)
- Other Parts (SUS304/SUS316/Titanium/Hastelloy-C)

92

seal size (inches)	d ₁	d ₃	d ₄	l ₃
0.750	19.05	31.00	34.90	31.50
0.875	22.23	36.00	38.10	37.00
1.000	25.40	39.00	41.30	37.50
1.125	28.58	42.00	44.50	38.00
1.250	31.75	46.00	47.60	43.00
1.375	34.93	48.50	50.80	43.00
1.500	38.10	51.50	57.20	42.00
1.625	41.28	58.40	60.30	47.00
1.750	44.45	58.40	63.50	47.00
1.875	47.63	63.70	66.70	46.50
2.000	50.80	63.70	69.90	46.50
2.125	53.98	69.00	73.00	56.50
2.250	57.15	73.30	76.20	56.50
2.375	60.33	76.70	79.40	56.50
2.500	63.50	79.40	82.60	56.50
2.625	66.68	83.00	85.70	66.50
2.750	69.85	87.80	96.00	65.50
2.875	73.02	94.00	99.00	65.50
3.000	76.20	94.00	100.00	65.50
3.125	79.37	100.60	104.00	75.00
3.250	82.55	100.60	108.00	75.00
3.375	85.72	106.00	111.00	75.00
3.500	88.90	110.30	115.00	75.00
3.625	92.07	114.90	118.00	75.00
3.750	95.25	114.90	121.00	75.00
3.875	98.42	121.30	124.00	75.00
4.000	101.60	121.30	127.00	75.00

seal size (mm)	d ₁	d ₃	d ₄	l ₃
18	18	31.0	34	31.5
20	20	31.0	36	31.5
22	22	31.0	38	31.5
24	24	36.0	40	36.7
25	25	36.0	41	37.0
28	28	39.0	44	37.5
30	30	42.0	46	38.0
32	32	46.0	48	43.0
33	33	46.0	49	43.0
35	35	48.5	51	43.0
38	38	51.5	58	42.0
40	40	54.0	60	42.0
43	43	58.4	63	47.0
45	45	58.4	65	47.0
48	48	63.7	68	47.0
50	50	63.7	70	46.5
53	53	69.0	73	56.5
55	55	71.0	75	56.5
58	58	73.3	83	56.5
60	60	76.7	85	56.5
63	63	79.4	88	56.5
65	65	83.0	90	66.5
68	68	87.8	93	66.5
70	70	87.8	95	65.5
75	75	94.0	104	65.5
80	80	100.6	109	75.0
85	85	106.0	114	75.0
90	90	110.3	119	75.0
95	95	114.9	124	75.0
100	100	121.3	129	75.0

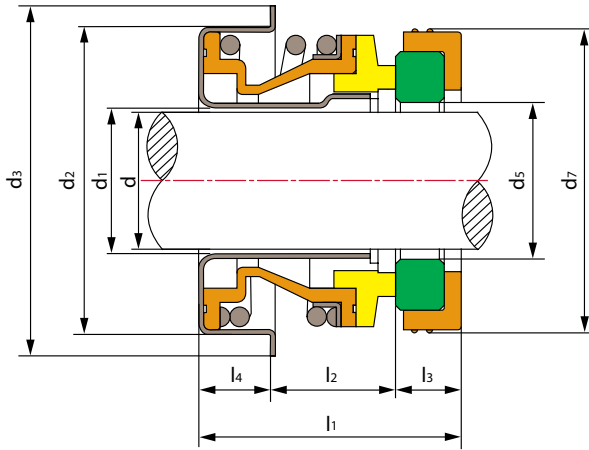
DEMS F

Çalışma Limitleri

Basınç: $\leq 0.3\text{MPa}$
 Devir: $\leq 5000\text{r/min}$
 Sıcaklık: $-30^{\circ}\text{C} \sim +150^{\circ}\text{C}$
 Ortam: temiz su, deniz suyu, motor antifrizi

Operating Limits

Pressure: $\leq 0.3\text{MPa}$
 Rotary Speed: $\leq 5000\text{r/min}$
 Temperature: $-30^{\circ}\text{C} \sim +150^{\circ}\text{C}$
 Medium: Clean water, seawater, gas engine antifreeze



- Döner Yüzey (Ceramic/SiC)
- Sabit Eleman (Plastic Carbon/Carbon/SiC)
- Elastomer (NBR/EPDM/HNBR/VITON)
- Yay & Diğer Parçalar (SUS304/SUS316)
- Rotary Ring (Ceramic/SiC)
- Stationary Ring (Plastic Carbon/Carbon/SiC)
- Secondary Seal (NBR/EPDM/HNBR/VITON)
- Spring & Other Parts (SUS304/SUS316)

Model	d(inches)	d ₁	d ₂	d ₃	d ₅	d ₇	l ₁	l ₂	l ₃	l ₄
DEMSF-1/2"	12.700	14.2	30.00	35.0	13.5	25.400	19.2	5.0	6.2	8.0
DEMSF-5/8"	15.875	18.2	36.50	41.5	17.5	31.750	25.0	6.7	10.3	8.0
DEMSF-3/4"	19.050	21.2	40.00	43.8	21.0	34.925	25.8	5.5	10.3	10.0
DEMSF-1"	25.400	26.4	47.00	51.0	27.0	41.275	29.0	5.9	11.1	12.0
Model	d(mm)	d ₁	d ₂	d ₃	d ₅	d ₇	l ₁	l ₂	l ₃	l ₄
DEMSF-10	10	11.0	24.00	29.0	12	23	17.0	6.0	4	7.0
DEMSF-12S	12	14.2	28.57	32.0	14	25	18.2	5.2	5	8.0
DEMSF-12M	12	14.2	30.00	35.0	15	24	18.0	5.0	5	8.0
DEMSF-12L	12	14.2	33.30	38.0	14	25	18.0	6.3	5	6.7
DEMSF-16	16	18.2	36.50	41.5	18	31	19.8	6.8	5	8.0
DEMSF-16L	16	17.5	38.10	43.5	18	31	19.8	6.0	5	8.8
DEMSF-16LD	16	17.5	38.10	43.5	18	31	19.8	6.0	5	8.8
DEMSF-20S	20	21.2	38.00	43.8	21	35	20.5	5.5	5	10.0
DEMSF-20	20	21.2	40.00	43.8	21	35	20.5	5.5	5	10.0
DEMSF-25S	25	26.4	46.00	51.0	26	44	25.0	8.0	7	10.0
DEMSF-25	25	26.4	47.00	51.0	26	44	25.0	6.0	7	12.0
DEMSF-25L	25	26.4	52.00	57.0	27	48	25.0	6.0	7	12.0
DEMSF-30	30	31.0	52.00	57.0	32	48	27.0	8.0	8	11.0

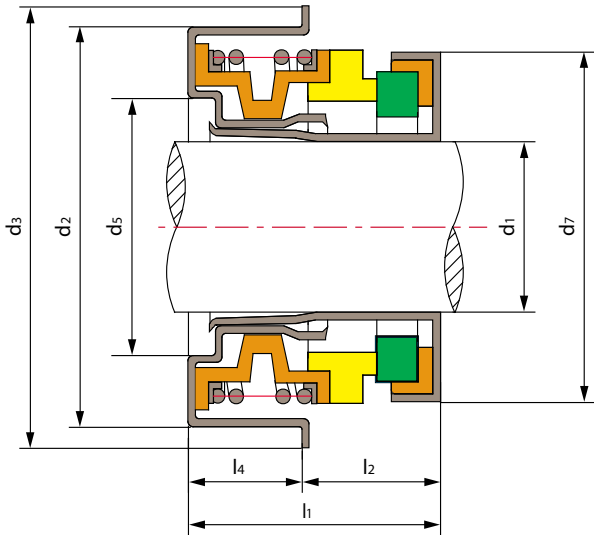
DEMS FB

Çalışma Limitleri

Basınç: $\leq 0.3\text{MPa}$
 Devir: $\leq 9000\text{r/min}$
 Sıcaklık: $-30^{\circ}\text{C} \sim +150^{\circ}\text{C}$
 Ortam: temiz su, deniz suyu, motor antifrizi

Operating Limits

Pressure: $\leq 0.3\text{MPa}$
 Rotary Speed: $\leq 9000\text{r/min}$
 Temperature: $-30^{\circ}\text{C} \sim +150^{\circ}\text{C}$
 Medium: Clean water, seawater, gas engine antifreeze



- Döner Yüzey (Ceramic/SiC)
- Sabit Eleman (Plastic Carbon/Carbon/SiC)
- Elastomer (NBR/EPDM/HNBR/VITON)
- Yay & Diğer Parçalar (SUS304/SUS316)
- Rotary Ring(Ceramic/SiC)
- Stationary Ring(Plastic Carbon/Carbon/SiC)
- Secondary Seal (NBR/EPDM/HNBR/VITON)
- Spring & Other Parts (SUS304/SUS316)

94

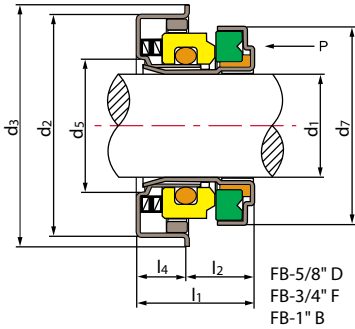
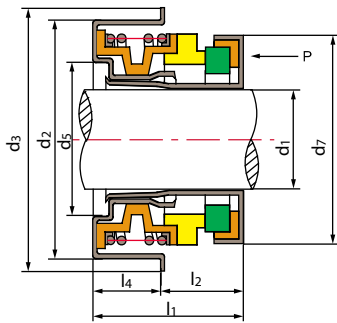
Model	d(mm)	d ₂	d ₃	d ₅	d ₇	l ₁	l ₂	l ₄
DEMSFB-12S	12	28.57	32.0	18.5	25	18.2	10.2	8.0
DEMSFB-12ST	12	28.57	32.0	18.5	26	18.2	10.2	8.0
DEMSFB-12M	12	30.00	35.0	18.5	25	18.2	10.2	8.0
DEMSFB-12MT	12	30.00	35.0	18.5	26	18.2	10.2	8.0
DEMSFB-12L	12	33.30	38.0	18.5	25	18.2	11.5	6.7
DEMSFB-12LT	12	33.30	38.0	18.5	26	18.2	11.5	6.7
DEMSFB-13	13	30.00	35.0	18.5	25	18.0	10.0	8.0
DEMSFB-15	15	36.50	41.5	22.5	30.5	20.5	12.0	8.5
DEMSFB-16	16	36.50	41.5	22.5	30.5	20.5	12.0	8.5
DEMSFB-16B	16	36.50	41.5	22.5	28.0	20.0	12.0	8.5
DEMSFB-16T	16	36.50	41.5	19.3	31.5	20.5	11.5	9.0
DEMSFB-16L	16	38.10	43.5	22.5	30.5	20.5	11.7	8.8
DEMSFB-16LD	16	38.10	43.5	22.5	28.5	20.5	11.7	8.8
DEMSFB-20	20	38/40	43.8	26.5	37.0	22.0	12.5	9.5
DEMSFB-20T	20	40.00	43.8	28.0	37.0	22.0	12.5	9.5

Çalışma Limitleri

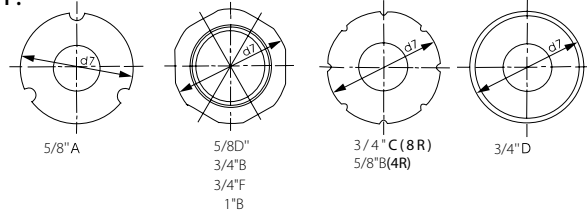
Basınç: $\leq 0.3\text{MPa}$
 Devir: $\leq 9000\text{r/min}$
 Sıcaklık: $-30^{\circ}\text{C} \sim +150^{\circ}\text{C}$
 Ortam: temiz su, deniz suyu, motor antifrizi

Operating Limits

Pressure: $\leq 0.3\text{MPa}$
 Rotary Speed: $\leq 9000\text{r/min}$
 Temperature: $-30^{\circ}\text{C} \sim +150^{\circ}\text{C}$
 Medium: Clean water, seawater, gas engine antifreeze



View P:



- Döner Yüzey (Ceramic/SiC)
- Sabit Eleman (Plastic Carbon/Carbon/SiC)
- Elastomer (NBR/EPDM/HNBR/VITON)
- Yay & Diğer Parçalar (SUS304/SUS316/Red Cooper)
- Rotary Ring(Ceramic/SiC)
- Stationary Ring(Plastic Carbon/Carbon/SiC)
- Secondary Seal (NBR/EPDM/HNBR/VITON)
- Spring & Other Parts (SUS304/SUS316/Red Cooper)

Model	d(mm)	d ₂	d ₃	d ₅	d ₇	l ₁	l ₂	l ₄
DEMSFB-16E	16	36.5	41.5	22.5	28.0	20.5	12.0	8.5
Model	d ₁ (inches)	d ₂	d ₃	d ₅	d ₇	l ₁	l ₂	l ₄
DEMSFB-1/2\"S	12.700	28.57	32.0	18.5	25.0	17.5	9.50	8.0
DEMSFB-1/2\"M	12.700	30.00	35.0	18.5	25.0	17.5	9.50	8.0
DEMSFB-5/8\"	15.875	36.50	41.5	22.5	30.5	20.5	12.0	8.5
DEMSFB-3/4\"	19.000	40.00	43.8	26.5	37.0	22.0	12.5	9.5
DEMSFB-5/8\"A	15.875	36.50	41.5	22.0	29.0	20.0	11.5	8.5
DEMSFB-5/8\"B	15.875	36.50	41.8	22.0	28.0	21.0	12.5	8.5
DEMSFB-5/8\"D	15.875	36.50	41.0	20.8	32.0	20.0	11.0	9.0
DEMSFB-3/4\"B	19.050	40.00	43.8	23.0	35.8	22.0	12.8	9.2
DEMSFB-3/4\"C	19.050	40.00	43.8	23.0	34.0	22.0	12.8	9.2
DEMSFB-3/4\"D	19.050	40.00	44.0	22.0	36.5	19.5	10.9	8.6
DEMSFB-3/4\"F	19.050	40.00	43.8	24.2	36.0	20.0	11.1	8.9
DEMSFB-1\"B	25.400	50.80	55.6	33	42.3	23	10.2	12.8

DEMS FBWE

Çalışma Limitleri

Basınç: $\leq 0.3\text{MPa}$
 Devir: $\leq 7000\text{r/min}$
 Sıcaklık: $-30^{\circ}\text{C} \sim +150^{\circ}\text{C}$
 Ortam: temiz su, deniz suyu, motor antifrizi

Operating Limits

Pressure: $\leq 0.3\text{MPa}$
 Rotary Speed: $\leq 7000\text{r/min}$
 Temperature: $-30^{\circ}\text{C} \sim +150^{\circ}\text{C}$
 Medium: Clean water, seawater, gas engine antifreeze



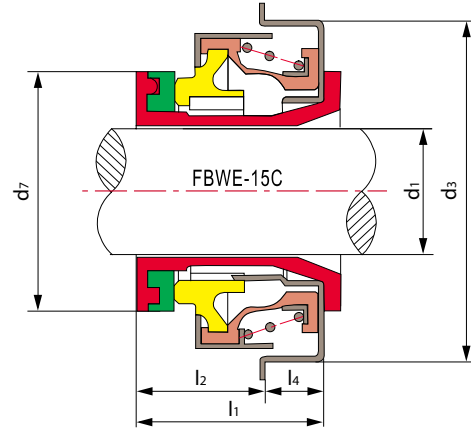
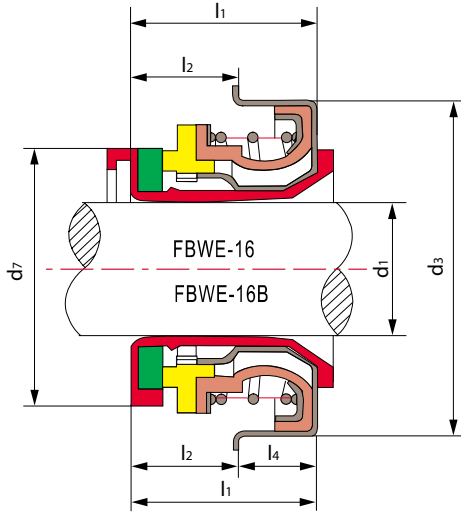
15C

16D



16B

16



- Döner Yüzey (Ceramic/SiC)
- Sabit Eleman (Plastic Carbon/Carbon/SiC)
- Yay (SUS304/SUS316)
- Axial Pipe (NBR/HNBR/VITON)
- Stationary Seat (Brass/SUS304)
- Körük (NBR/HNBR/VITON)
- Spring Holder (Brass/SUS304)
- Drive Ring (Brass/SUS304)

- Rotary Ring (Ceramic/SiC)
- Stationary Ring (Plastic Carbon/Carbon/SiC)
- Spring (SUS304/SUS316)
- Axial Pipe (NBR/HNBR/VITON)
- Stationary Seat (Brass/SUS304)
- Bellows (NBR/HNBR/VITON)
- Spring Holder (Brass/SUS304)
- Drive Ring (Brass/SUS304)

Model	d ₁ (mm)	d ₃	d ₇	l ₁	l ₂	l ₄
DEMSFBWE-16	16	36.5	28.65	19.5	12.0	7.5
DEMSFBWE-16B	16	36.5	31.50	19.5	11.5	8.0
DEMSFBWE-15C	15	36.5	28.50	18.5	11.5	7.0
DEMSFBWE-16D	16	36.5	27.00	19.9	12.4	7.5

DEMS FBM

Çalışma Limitleri

Basınç: $\leq 0.3\text{MPa}$

Devir: $\leq 9000\text{r/min}$

Sıcaklık: $-30^{\circ}\text{C} \sim +150^{\circ}\text{C}$

Ortam: temiz su, deniz suyu, motor antifrizi

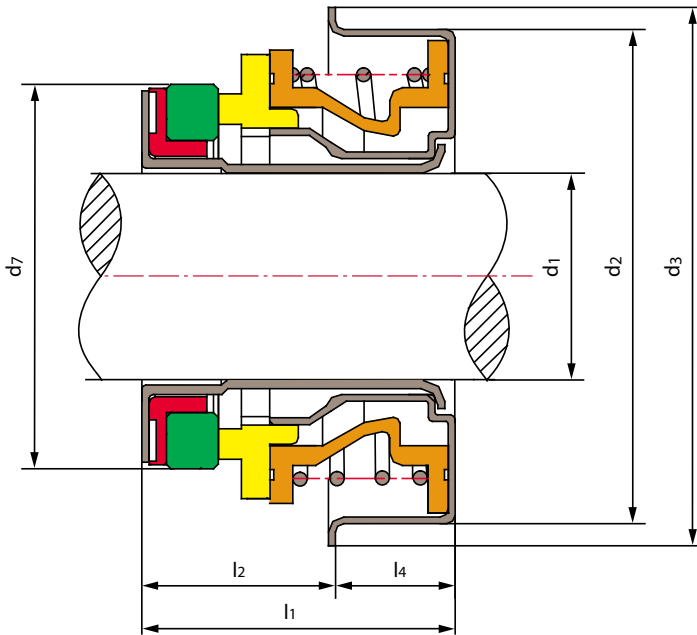
Operating Limits

Pressure: $\leq 0.3\text{MPa}$

Rotary Speed: $\leq 9000\text{r/min}$

Temperature: $-30^{\circ}\text{C} \sim +150^{\circ}\text{C}$

Medium: Clean water, seawater, gas engine antifreeze



- Döner Yüzey (Ceramic/SiC)
- Sabit Eleman (Plastic Carbon/Carbon/SiC)
- Yay (65Mn/SUS304/SUS316)
- Axial Pipe (SUS304/SUS316)
- Stationary Seat (SUS304/SUS316)
- Körük (NBR/EPDM/HNBR/VITON)
- Kep (NBR/EPDM/VITON)

- Rotary Ring (Ceramic/SiC)
- Stationary Ring (Plastic Carbon/Carbon/SiC)
- Spring (65Mn/SUS304/SUS316)
- Axial Pipe (SUS304/SUS316)
- Stationary Seat (SUS304/SUS316)
- Bellows (NBR/EPDM/HNBR/VITON)
- Cup Gasket (NBR/EPDM/VITON)

Model	d ₁ (mm)	d ₂	d ₃	d ₇	l ₁	l ₂	l ₄
DEMSFBM-12S	12	28.57	32.0	24.0	18.5	10.5	8.0
DEMSFBM-12M	12	30.00	35.0	24.0	18.5	10.5	8.0
DEMSFBM-12L	12	33.40	38.0	24.0	18.5	11.8	6.7
DEMSFBM-16	16	36.50	41.6	26.0	20.5	12.0	8.5
DEMSFBM-16L	16	38.10	43.5	26.0	20.5	11.7	8.8
DEMSFBM-16LX	16	39.30	43.6	26.0	20.0	11.3	8.7
DEMSFBM-20	20	40.00	43.8	29.5	21.5	12.0	9.5

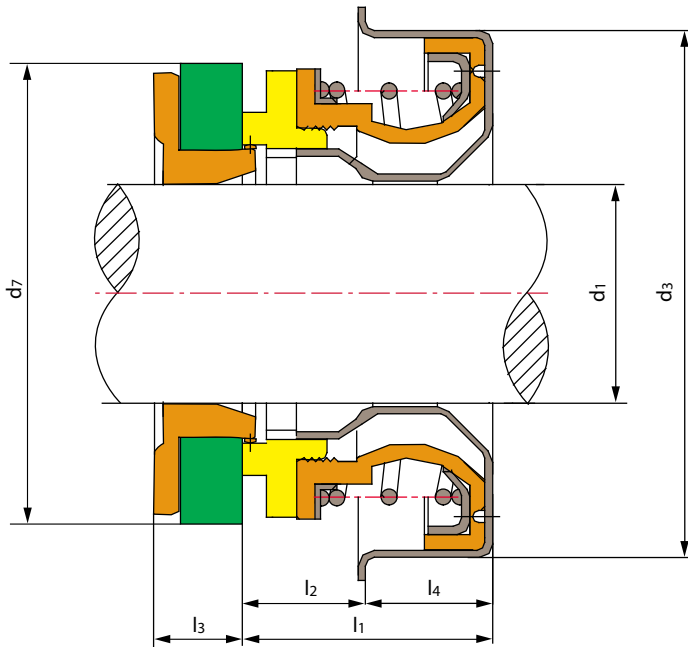
DEMS FW

Çalışma Limitleri

Basınç: $\leq 0.3\text{MPa}$
Devir: $\leq 5000\text{r/min}$
Sıcaklık: $-30^{\circ}\text{C} \sim +150^{\circ}\text{C}$
Ortam: temiz su, deniz suyu, motor antifrizi

Operating Limits

Pressure: $\leq 0.3\text{MPa}$
Rotary Speed: $\leq 5000\text{r/min}$
Temperature: $-30^{\circ}\text{C} \sim +150^{\circ}\text{C}$
Medium: Clean water, seawater, gas engine antifreeze



- Döner Yüzey (Ceramic/SiC)
 - Sabit Eleman (Plastic Carbon/Carbon/SiC)
 - Yay (65Mn/SUS304/SUS316)
 - Stationary Seat (SUS304/SUS316)
 - Drive Ring (SUS304/SUS316)
 - Körük (NBR/EPDM/HNBR/VITON)
 - Spring Retainer (SUS304/SUS316)
 - Kep (NBR/EPDM/HNBR/VITON)
-
- Rotary Ring (Ceramic/SiC)
 - Stationary Ring (Plastic Carbon/Carbon/SiC)
 - Spring (65Mn/SUS304/SUS316)
 - Stationary Seat (SUS304/SUS316)
 - Drive Ring (SUS304/SUS316)
 - Bellows (NBR/EPDM/HNBR/VITON)
 - Spring Retainer (SUS304/SUS316)
 - Cup Gasket (NBR/EPDM/HNBR/VITON)

98

Model	d ₁ (mm)	d ₃	d ₇	l ₁	l ₂	l ₃	l ₄
DEMSFW-12	12	30.0	24.0	14.5	6.5	5	8.0
DEMSFW-15	15	36.5	28.4	15.7	7.7	5	8.0
DEMSFW-16S	16	36.5	28.4	15.7	7.7	5	8.0
DEMSFW-16L	16	38.1	28.4	15.7	7.0	5	8.7
DEMSFW-19	19	40.0	34.0	17.5	6.5	6	11.0
DEMSFW-20	20	40.0	34.0	17.5	6.5	6	11.0

DEMS FBW

Çalışma Limitleri

Basınç: $\leq 0.3\text{MPa}$

Devir: $\leq 9000\text{r/min}$

Sıcaklık: $-30^{\circ}\text{C} \sim +150^{\circ}\text{C}$

Ortam: temiz su, deniz suyu, motor antifrizi

Operating Limits

Pressure: $\leq 0.3\text{MPa}$

Rotary Speed: $\leq 9000\text{r/min}$

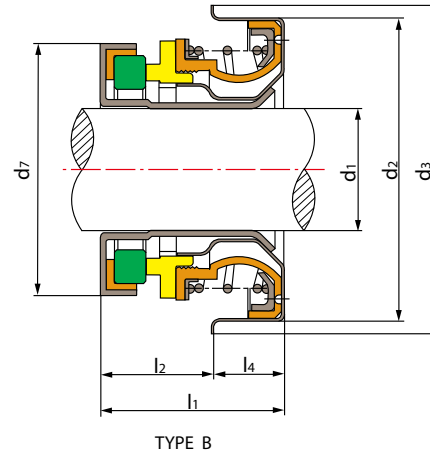
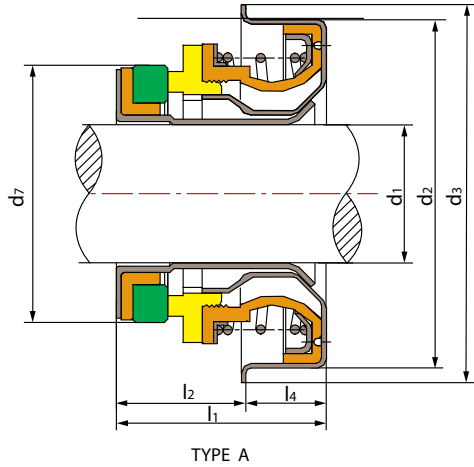
Temperature: $-30^{\circ}\text{C} \sim +150^{\circ}\text{C}$

Medium: Clean water, seawater, gas engine antifreeze



- Döner Yüzey (Ceramic/SiC)
- Sabit Eleman (Plastic Carbon/Carbon/SiC)
- Elastomer (NBR/EPDM/HNBR/VITON)
- Yay & Diğer Parçalar (SUS304/SUS316)

- Rotary Ring (Ceramic/SiC)
- Stationary Ring (Plastic Carbon/Carbon/SiC)
- Secondary Seal (NBR/EPDM/HNBR/VITON)
- Spring & Other Parts (SUS304/SUS316)



Model	d ₁ (mm)	d ₂	d ₃	d ₇	l ₁	l ₂	l ₄	TYPE
DEMSFBW-10	10	30.0	35.0	23.5	13.0	5.0	8.0	B
DEMSFBW-12C	12	30.0	35.0	28.5	14.7	7.7	7.0	B
DEMSFBW-12M	12	30.0	35.0	24.0	20.0	12.0	8.0	A
DEMSFBW-15	15	36.5	41.0	29.0	19.9	11.9	8.0	A
DEMSFBW-15A	15	36.5	41.0	32.5	19.3	11.3	8.0	B
DEMSFBW-16	16	36.5	41.0	29.0	19.9	11.9	8.0	A
DEMSFBW-16B	16	36.5	41.0	32.5	19.4	11.2	8.2	B
DEMSFBW-16C	16	36.5	41.0	30.5	20.1	11.4	8.7	B
DEMSFBW-16L	16	38.1	43.6	29.0	19.8	11.3	8.5	A
DEMSFBW-20	20	40.0	43.8	34.0	20.0	10.5	9.5	A
Model	d ₁ (inches)	d ₂	d ₃	d ₇	l ₁	l ₂	l ₄	TYPE
DEMSFBW-1/2"A	12.7	30.0	35.0	28.5	14.7	7.7	7.0	B
DEMSFBW-1/2"C	12.7	30.0	35.0	24.8	17.5	8.0	9.5	B

DEMS FBU

Çalışma Limitleri

Basınç: $\leq 0.3\text{MPa}$

Devir: $\leq 7000\text{r/min}$

Sıcaklık: $-30^{\circ}\text{C} \sim +150^{\circ}\text{C}$

Ortam: temiz su, deniz suyu, motor antifrizi

Operating Limits

Pressure: $\leq 0.3\text{MPa}$

Rotary Speed: $\leq 7000\text{r/min}$

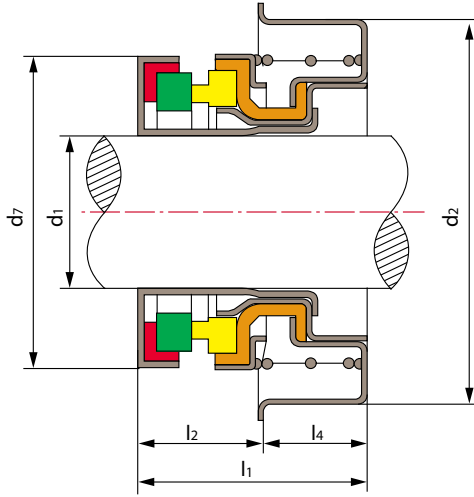
Temperature: $-30^{\circ}\text{C} \sim +150^{\circ}\text{C}$

Medium: Clean water, seawater, gas engine antifreeze

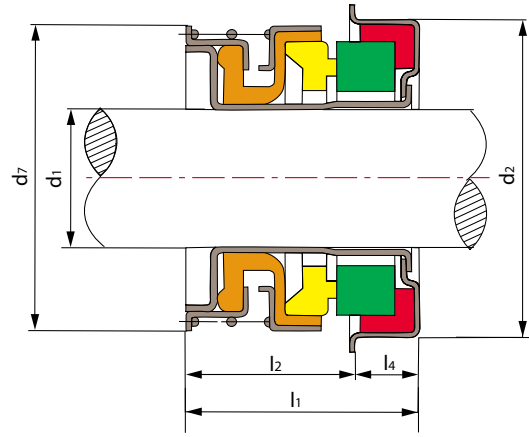


15/16

25



TS FBU-15/16

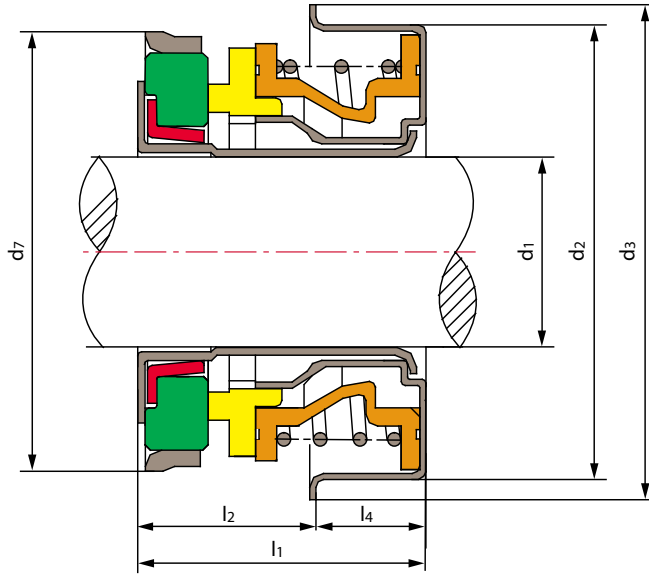


TS FBU-25

- Döner Yüzey (Ceramic/SiC)
- Sabit Eleman (Plastic Carbon/Carbon/SiC)
- Yay (65Mn/SUS304/SUS316)
- Axial Pipe (SUS304/SUS316)
- Stationary Seat (SUS304/SUS316)
- Drive Ring (SUS304/SUS316)
- Köruk (NBR/EPDM/HNBR/VITON)
- Spring Holder (SUS304/SUS316)
- Kep (NBR/EPDM/HNBR/VITON)

- Rotary Ring (Ceramic/SiC)
- Stationary Ring (Plastic Carbon/Carbon/SiC)
- Spring (65Mn/SUS304/SUS316)
- Axial Pipe (SUS304/SUS316)
- Stationary Seat (SUS304/SUS316)
- Drive Ring (SUS304/SUS316)
- Bellows (NBR/EPDM/HNBR/VITON)
- Spring Holder (SUS304/SUS316)
- Cup Gasket (NBR/EPDM/HNBR/VITON)

Model	d ₁ (mm)	d ₂	d ₇	l ₁	l ₂	l ₄
DEMSFBU-15	15	36.5	32.5	20.8	11.3	9.5
DEMSFBU-16SA	16	36.5	28	21.0	11.5	9.5
DEMSFBU-16SB	16	36.5	28.5	21.0	11.5	9.5
DEMSFBU-16L	16	36.5	32.5	20.8	11.3	9.5
DEMSFBU-25	25	41.3	40.8	30.0	21.2	8.8



Çalışma Limitleri

Basınç: $\leq 0.3\text{MPa}$
 Devir: $\leq 6.800\text{r/min}$
 Sıcaklık: $-30^{\circ}\text{C} \sim +150^{\circ}\text{C}$
 Ortam: temiz su, deniz suyu, motor antifrizi

Operating Limits

Pressure: $\leq 0.3\text{MPa}$
 Rotary Speed: $\leq 6800\text{r/min}$
 Temperature: $-30^{\circ}\text{C} \sim +150^{\circ}\text{C}$
 Medium: Clean water, seawater, gas engine antifreeze

- Döner Yüzey (Ceramic/SiC)
- Sabit Eleman (Plastic Carbon/Carbon/SiC)
- Yay (65Mn/SUS304/SUS316)
- Axial Pipe (SUS304/SUS316)
- Stationary Seat (SUS304/SUS316)
- Körük (NBR/EPDM/HNBR/VITON)
- Outside Cup Gasket (SUS304/SUS316)
- Inside Cup Gasket (NBR/EPDM/HNBR/VITON)

- Rotary Ring (Ceramic/SiC)
- Stationary Ring (Plastic Carbon/Carbon/SiC)
- Spring (65Mn/SUS304/SUS316)
- Axial Pipe (SUS304/SUS316)
- Stationary Seat (SUS304/SUS316)
- Bellows (NBR/EPDM/HNBR/VITON)
- Outside Cup Gasket (SUS304/SUS316)
- Inside Cup Gasket (NBR/EPDM/HNBR/VITON)

Model	d ₁ (mm)	d ₂	d ₃	d ₇	l ₁	l ₂	l ₄
DEMSFBS-16S	16	34.2	38.8	30.6	18.0	12.4	5.6
DEMSFBS-16M	16	36.5	41.6	30.6	20.5	12.0	8.5
DEMSFBS-16L	16	38.1	43.5	30.6	20.5	11.8	8.7
Model	d ₁ (inches)	d ₂	d ₃	d ₇	l ₁	l ₂	l ₄
DEMSFBS-1/2"L	12.7	33.3	38.1	27.5	18	9.3	8.7

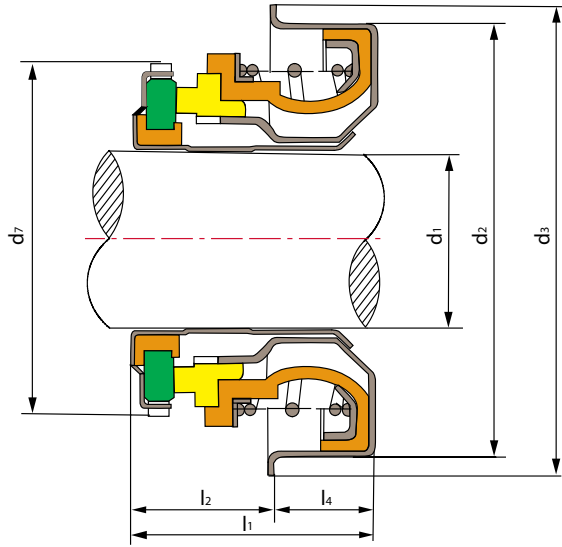
DEMS FBMT

Çalışma Limitleri

Basınç: $\leq 0.3\text{MPa}$
 Devir: $\leq 9000\text{r/min}$
 Sıcaklık: $-30^{\circ}\text{C} \sim +150^{\circ}\text{C}$
 Ortam: temiz su, deniz suyu, motor antifrizi

Operating Limits

Pressure: $\leq 0.3\text{MPa}$
 Rotary Speed: $\leq 9000\text{r/min}$
 Temperature: $-30^{\circ}\text{C} \sim +150^{\circ}\text{C}$
 Medium: Clean water, seawater, gas engine antifreeze



- Döner Yüzey (Ceramic/SiC)
- Sabit Eleman (Plastic Carbon/Carbon/SiC)
- Yay (SUS304/SUS316)
- Stationary Seat (SUS304/SUS316/Red Cooper)
- Drive Ring A (SUS304/SUS316)
- Drive Ring B (SUS304/SUS316)
- Körük (NBR/EPDM/HNBR/VITON)
- Kep (NBR/EPDM/HNBR/VITON)
- Axial Pipe (SUS304/SUS316)
- Rotary Ring (Ceramic/SiC)
- Stationary Ring (Plastic Carbon/Carbon/SiC)
- Spring (SUS304/SUS316)
- Stationary Seat (SUS304/SUS316/Red Cooper)
- Drive Ring A (SUS304/SUS316)
- Drive Ring B (SUS304/SUS316)
- Bellows (NBR/EPDM/HNBR/VITON)
- Cup Gasket (NBR/EPDM/HNBR/VITON)
- Axial Pipe (SUS304/SUS316)

102

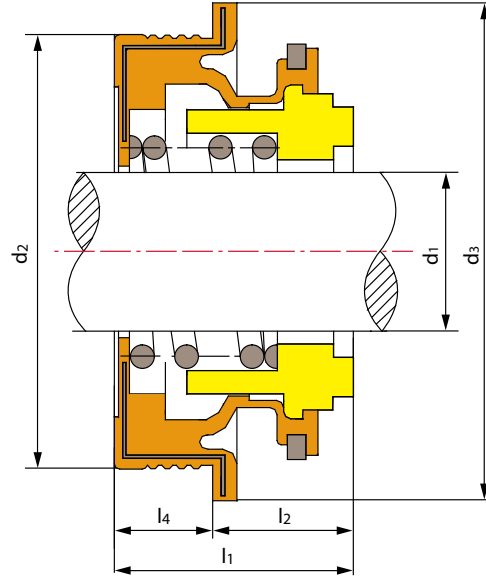
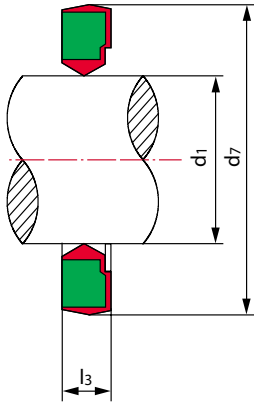
Model	d ₁ (mm)	d ₂	d ₃	d ₇	l ₁	l ₂	l ₄
DEMSFBMT-12	12	30.0	35	26.5	17.6	9.60	8.0
DEMSFBMT-12A	12	30.0	34	26.5	16.9	9.30	7.6
DEMSFBMT-15	15	36.5	40	31.2	18.5	10.5	8.0
DEMSFBMT-15A	15	36.5	42	31.2	18.0	10.0	8.0
Model	d ₁ (inches)	d ₂	d ₃	d ₇	l ₁	l ₂	l ₄
DEMSFBMT-5/8"	15.875	36.5	40	31.2	18.5	10.5	8.0
DEMSFBMT-5/8"A	15.875	36.5	42	31.2	18.0	10.0	8.0

Çalışma Limitleri

Basınç: $\leq 0.3\text{MPa}$
 Devir: $\leq 5000\text{r/min}$
 Sıcaklık: $-30^{\circ}\text{C} \sim +150^{\circ}\text{C}$
 Ortam: temiz su, deniz suyu, motor antifrizi

Operating Limits

Pressure: $\leq 0.3\text{MPa}$
 Rotary Speed: $\leq 5000\text{r/min}$
 Temperature: $-30^{\circ}\text{C} \sim +150^{\circ}\text{C}$
 Medium: Clean water, seawater, gas engine antifreeze



- Döner Yüzey (Ceramic/SiC)
- Sabit Eleman (Plastic Carbon/Carbon/SiC)
- Yay (65Mn/SUS304/SUS316)
- Drive Ring (Q235-A)
- Kep (NBR/EPDM/HNBR/VITON)
- Körük (NBR/EPDM/HNBR/VITON)
- Rotary Ring (Ceramic/SiC)
- Stationary Ring (Plastic Carbon/Carbon/SiC)
- Spring (65Mn/SUS304/SUS316)
- Drive Ring (Q235-A)
- Cup Gasket (NBR/EPDM/HNBR/VITON)
- Bellows (NBR/EPDM/HNBR/VITON)

Model	d ₁ (mm)	d ₂	d ₃	d ₇	l ₁	l ₂	l ₃	l ₄
DEMSFN-12M	12	30.0	34.6	\	15.5	8.5	\	7.0
DEMSFN-12L	12	33.4	36.6	\	15.5	8.5	\	7.0
DEMSFN-16	16	36.5	42.6	28.0	16.5	9.0	4.5	7.5
DEMSFN-16L	16	38.1	42.6	28.0	16.5	9.0	4.5	7.5
DEMSFN-16B	16	36.5	39.7	28.6	16.5	9.5	3.5	7.0
DEMSFN-20	20	40.0	42.0	\	18.5	7.5	\	11.0

Çalışma Limitleri

Basınç: $\leq 0.3\text{MPa}$
 Devir: $\leq 9000\text{r/min}$
 Sıcaklık: $-30^{\circ}\text{C} \sim +150^{\circ}\text{C}$
 Ortam: temiz su, deniz suyu, motor antifrizi

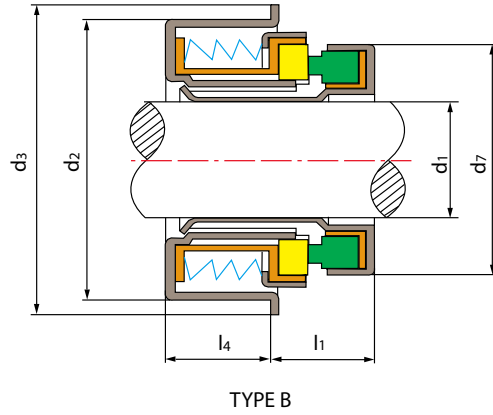
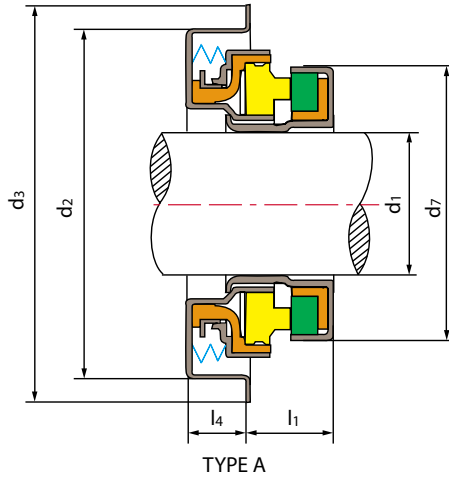
Operating Limits

Pressure: $\leq 0.3\text{MPa}$
 Rotary Speed: $\leq 9000\text{r/min}$
 Temperature: $-30^{\circ}\text{C} \sim +150^{\circ}\text{C}$
 Medium: Clean water, seawater, gas engine antifreeze



- Döner Yüzey (Ceramic/SiC)
- Sabit Eleman (Plastic Carbon/Carbon/SiC)
- Elastomer (NBR/HNBR)
- Diğer Parçalar (SUS304/SUS316)
- Wave Spring (17-7PH/SUS631)

- Rotary Ring (Ceramic/SiC)
- Stationary Ring (Plastic Carbon/Carbon/SiC)
- Secondary Seal (NBR/HNBR)
- Other Parts (SUS304/SUS316)
- Wave Spring (17-7PH/SUS631)



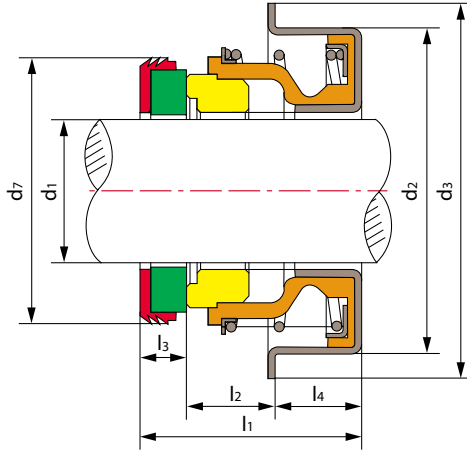
Model	d ₁ (mm)	d ₂	d ₃	d ₇	l ₁	l ₄	TYPE
DEMSFBSH-12	12	30	34	23.0	7.5	5.5	A
DEMSFBSH-12A	12	30	34	25.2	7.5	5.5	A
DEMSFBSH-12B/12D	12	30	34	24.5	7.5	5.5	B
Model	d ₁ (inch)	d ₂	d ₃	d ₇	l ₁	l ₄	TYPE
DEMSFBSH-1/2"	12.7	30	34	24.5	7.5	5.5	B

Çalışma Limitleri

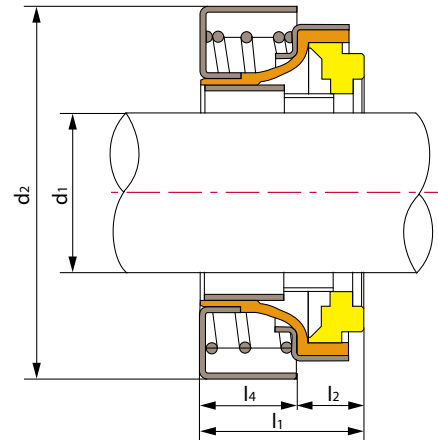
Basınç: $\leq 0.3\text{MPa}$
 Devir: $\leq 4800\text{r/min}$
 Sıcaklık: $-30^{\circ}\text{C} \sim +150^{\circ}\text{C}$
 Ortam: temiz su, deniz suyu, motor antifrizi

Operating Limits

Pressure: $\leq 0.3\text{MPa}$
 Rotary Speed: $\leq 4800\text{r/min}$
 Temperature: $-30^{\circ}\text{C} \sim +150^{\circ}\text{C}$
 Medium: Clean water, seawater, gas engine antifreeze



TS FG-16/20



TS FG-25/25L/30

- Döner Yüzey (Ceramic/SiC)
- Sabit Eleman (Plastic Carbon/Carbon/SiC)
- Yay (SUS304/SUS316)
- Stationary Seat (SUS304/SUS316/Brass/Red Cooper)
- Körük (NBR/EPDM/HNBR/VITON)
- Kep (NBR/EPDM/HNBR/VITON)

- Rotary Ring (Ceramic/SiC)
- Stationary Ring (Plastic Carbon/Carbon/SiC)
- Spring (SUS304/SUS316)
- Stationary Seat (SUS304/SUS316/Brass/Red Cooper)
- Bellows (NBR/EPDM/HNBR/VITON)
- Cup Gasket (NBR/EPDM/HNBR/VITON)

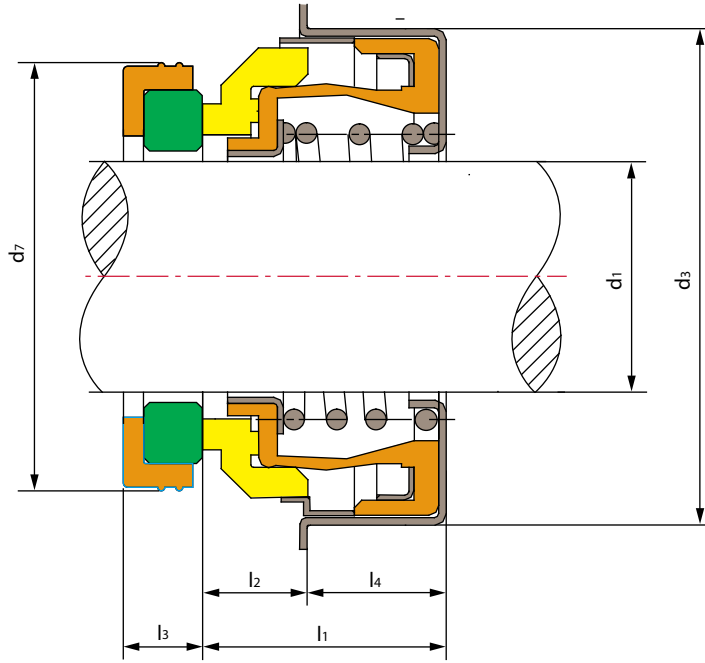
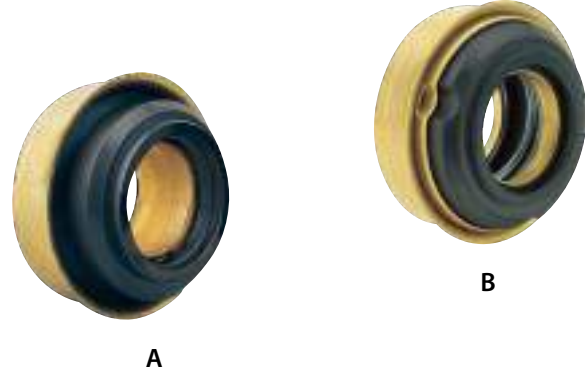
Model	d ₁ (mm)	d ₂	d ₃	d ₇	l ₁	l ₂	l ₃	l ₄
DEMSFG-15	15	36.5	40	28.4	20.0	6.5	5	8.5
DEMSFG-16	16	36.5	42	29.5	22.8	7.8	5	10.0
DEMSFG-16A	16	36.5	40	29.5	22.5	9.0	5	8.5
DEMSFG-20	20	40.0	44	35.0	20.5	6.9	5	8.6
DEMSFG-25	25	47.0	\	\	20.3	5.3	\	15.0
DEMSFG-25L	25	52.0	\	\	22.8	10.8	\	12.0
DEMSFG-30	30	52.0	\	\	22.0	6.0	\	16.0

Çalışma Limitleri

Basınç: $\leq 0.3\text{MPa}$
 Devir: $\leq 4000\text{r/min}$
 Sıcaklık: $-30^{\circ}\text{C} \sim +150^{\circ}\text{C}$
 Ortam: temiz su, deniz suyu, motor antifrizi

Operating Limits

Pressure: $\leq 0.3\text{MPa}$
 Rotary Speed: $\leq 4000\text{r/min}$
 Temperature: $-30^{\circ}\text{C} \sim +150^{\circ}\text{C}$
 Medium: Clean water, seawater, gas engine antifreeze



- Döner Yüzey (Ceramic/SiC)
- Stationary Ring (Plastic Carbon/Carbon/SiC)
- Spring (65Mn/SUS304/SUS316)
- Spring Holder (Brass)
- Retainer (Brass)
- Drive Ring (Brass)
- Bellows (NBR/EPDM/HNBR/VITON)
- Cup Gasket (NBR/EPDM/HNBR/VITON)
- Rotary Ring (Ceramic/SiC)
- Stationary Ring (Plastic Carbon/Carbon/SiC)
- Spring (65Mn/SUS304/SUS316)
- Spring Holder (Brass)
- Retainer (Brass)
- Drive Ring (Brass)
- Bellows (NBR/EPDM/HNBR/VITON)
- Cup Gasket (NBR/EPDM/HNBR/VITON)

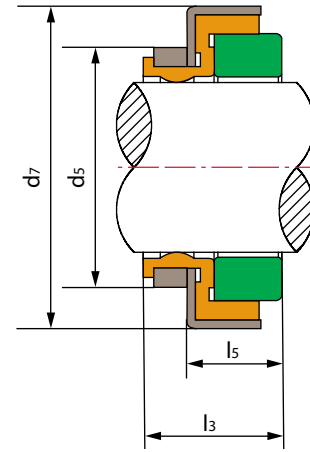
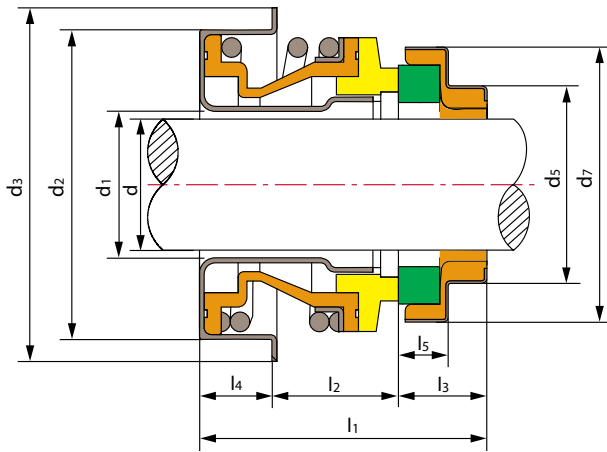
Model	d ₁ (mm)	d ₃	d ₇	l ₁	l ₃	l ₂	l ₄
DEMSFH-20A1	20	40	33	17.5	6.5	6.5	11
DEMSFH-20A2	20	40	33.5	17.5	5.5	6.5	11
DEMSFH-20B1	20	40	33	17.5	6.5	6.5	11
DEMSFH-20B2	20	40	33.5	17.5	5.5	6.5	11

Çalışma Limitleri

Basınç: $\leq 0.3\text{MPa}$
 Devir: $\leq 4500\text{r/min}$
 Sıcaklık: $-30^{\circ}\text{C} \sim +150^{\circ}\text{C}$
 Ortam: temiz su, deniz suyu, motor antifrizi

Operating Limits

Pressure: $\leq 0.3\text{MPa}$
 Rotary Speed: $\leq 4500\text{r/min}$
 Temperature: $-30^{\circ}\text{C} \sim +150^{\circ}\text{C}$
 Medium: Clean water, seawater, gas engine antifreeze



TS FK-30/40

- Döner Yüzey (Ceramic/SiC)
- Sabit Eleman (Plastic Carbon/Carbon/SiC)
- Yay (SUS304/SUS316)
- Stationary Seat (SUS304/SUS316)
- Körük (NBR/EPDM/HNBR/VITON)
- Rotary Ring Holder (SUS304/SUS316/Q235-A)

- Rotary Ring (Ceramic/SiC)
- Stationary Ring (Plastic Carbon/Carbon/SiC)
- Spring (SUS304/SUS316)
- Stationary Seat (SUS304/SUS316)
- Bellows (NBR/EPDM/HNBR/VITON)
- Rotary Ring Holder (SUS304/SUS316/Q235-A)

Model	d(mm)	d ₁	d ₂	d ₃	d ₅	d ₇	l ₁	l ₂	l ₃	l ₄	l ₅
DEMSFK-16	16	18.2	36.5	41.5	23.0	33.0	24.8	6.8	10.0	8.0	5.0
DEMSFK-16L	16	18.2	38.1	43.5	23.0	33.0	24.8	6.0	10.0	8.8	5.0
DEMSFK-19	19	19.2	32.5	36.0	23.0	32.0	26.5	8.5	10.0	8.0	5.5
DEMSFK-20S	20	21.2	38.1	43.8	32.0	37.0	28.0	8.5	11.5	8.0	5.0
DEMSFK-20L	20	21.2	40.0	43.8	27.0	38.0	26.5	6.5	10.0	10.0	5.8
DEMSFK-25S	25	26.4	46.0	51.0	30.5	47.0	31.8	8.8	13.0	10.0	8.5
DEMSFK-25	25	26.4	47.0	51.0	30.5	47.0	31.8	6.8	13.0	12.0	8.5
DEMSFK-30	30	31.0	52.0	57.0	42.8	50.0	35.5	9.5	15.0	11.0	9.5
DEMSFK-40	40	41.2	69.0	75.0	50.8	65.0	45.8	12.0	21.0	12.8	13.0

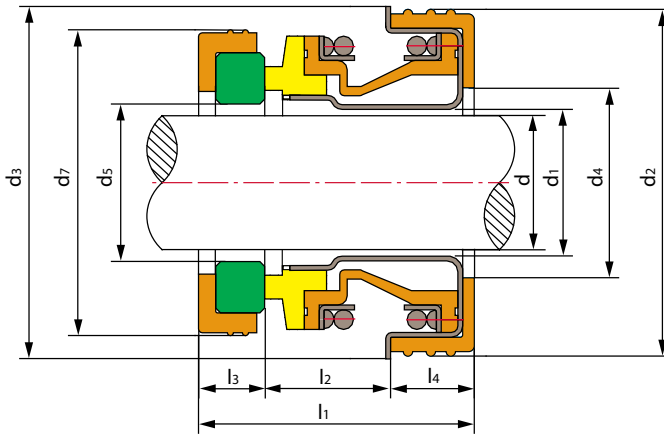
DEMS FT

Çalışma Limitleri

Basınç: $\leq 0.3\text{MPa}$
 Devir: $\leq 5000\text{r/min}$
 Sıcaklık: $-30^{\circ}\text{C} \sim +150^{\circ}\text{C}$
 Ortam: temiz su, deniz suyu, motor antifrizi

Operating Limits

Pressure: $\leq 0.3\text{MPa}$
 Rotary Speed: $\leq 5000\text{r/min}$
 Temperature: $-30^{\circ}\text{C} \sim +150^{\circ}\text{C}$
 Medium: Clean water, seawater, gas engine antifreeze



- Döner Yüzey (Ceramic/SiC)
- Sabit Eleman (Plastic Carbon/Carbon/SiC)
- Elastomer (NBR/EPDM/HNBR/VITON)
- Yay & Diğer Parçalar (SUS304/SUS316)
- Rotary Ring (Ceramic/SiC)
- Stationary Ring (Plastic Carbon/Carbon/SiC)
- Secondary Seal (NBR/EPDM/HNBR/VITON)
- Spring & Other Parts (SUS304/SUS316)

108

Model	d(mm)	d ₁	d ₂	d ₃	d ₄	d ₅	d ₇	l ₁	l ₂	l ₃	l ₄
TSFT-10	10	11.0	27	29.0	15	12	23	19.0	4.5	4	10.5
TSFT-12	12	14.2	32	32.0	20	14	25	19.2	5.2	5	9.0
TSFT-16	16	18.2	41	41.5	22	18	31	21.8	7.8	5	9.0
TSFT-20	20	21.2	45	43.8	30	21	35	22.5	5.5	5	12.0
TSFT-25	25	26.4	52	51.0	35	26	44	27.0	5.5	7	14.5
TSFT-30	30	31.0	58	57.0	40	32	48	29.0	7.7	8	13.3

DEMS SB

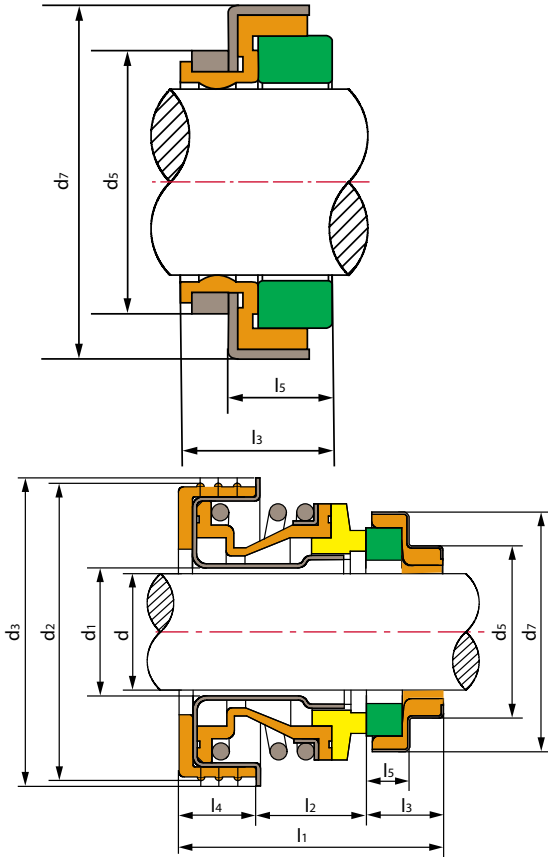
Model	d (mm)	d ₂	d ₃	d ₇	l ₁	l ₂	l ₃	l ₄
DEMSSB-12S	12	26	32.0	18.0	20.8	6.0	6.8	8.0
DEMSSB-12	12	30	35.0	24.0	19.5	5.5	4.5	9.5
DEMSSB-13	13	30	38.0	25.0	18.7	5.2	5.0	8.5
DEMSSB-15S	15	30	41.3	21.5	22.8	7.0	6.8	9.0
DEMSSB-17S	17	35	41.3	25.0	27.0	10.5	7.5	9.0
DEMSSB-20	20	40	43.8	36.0	29.5	12.0	7.0	10.5
DEMSSB-25	25	50	51.0	42.0	31.5	10.0	8.0	13.5
DEMSSB-28	28	54	57.0	45.0	31.5	9.5	7.5	14.5
DEMSSB-30	30	54	57.0	45.0	32.2	9.5	8.2	14.5

Çalışma Limitleri

Basınç: $\leq 0.3\text{MPa}$
 Devir: $\leq 4500\text{r/min}$
 Sıcaklık: $-30^{\circ}\text{C} \sim +150^{\circ}\text{C}$
 Ortam: temiz su, deniz suyu, motor antifrizi

Operating Limits

Pressure: $\leq 0.3\text{MPa}$
 Rotary Speed: $\leq 4500\text{r/min}$
 Temperature: $-30^{\circ}\text{C} \sim +150^{\circ}\text{C}$
 Medium: Clean water, seawater, gas engine antifreeze



- Döner Yüzey (Ceramic/SiC)
- Sabit Eleman (Plastic Carbon/Carbon/SiC)
- Yay (SUS304/SUS316)
- Stationary Seat (SUS304/SUS316)
- Elastomer(NBR/EPDM/HNBR/VITON)
- Rotary Ring Holder (SUS304/SUS316/Q235-A)

- Rotary Ring (Ceramic/SiC)
- Stationary Ring (Plastic Carbon/Carbon/SiC)
- Spring (SUS304/SUS316)
- Stationary Seat (SUS304/SUS316)
- Secondary Seal (NBR/EPDM/HNBR/VITON)
- Rotary Ring Holder (SUS304/SUS316/Q235-A)

Model	d (mm)	d ₁	d ₂	d ₃	d ₅	d ₇	l ₁	l ₂	l ₃	l ₄	l ₅
DEMSFTK-16	16	18.2	41	41.5	23.0	33	26.5	7.5	10	9.0	5.0
DEMSFTK-20	20	21.2	45	43.8	27.0	38	29.0	7.0	10	12.0	5.8
DEMSFTK-25	25	26.4	52	51.0	30.5	47	34.5	7.0	13	14.5	8.5
DEMSFTK-40	40	41.2	75	75.0	50.5	65	48.6	12.0	21	15.6	13.0
DEMSFTK-45	45	46.3	80	80	55.5	73.8	53.0	16.0	21	16.0	13.0

DEMS FTK2

Çalışma Limitleri

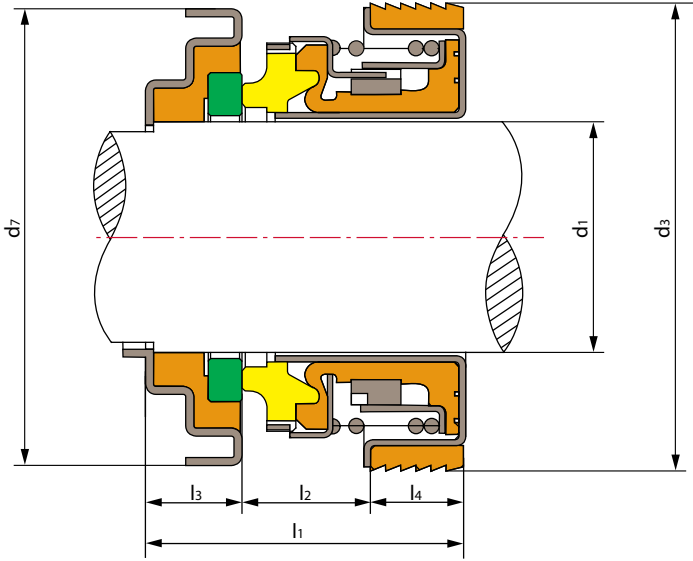
Basınç: $\leq 0.3\text{MPa}$
Devir: $\leq 4500\text{r/min}$
Sıcaklık: $-30^{\circ}\text{C} \sim +150^{\circ}\text{C}$
Ortam: temiz su, deniz suyu, motor antifrizi

Operating Limits

Pressure: $\leq 0.3\text{MPa}$
Rotary Speed: $\leq 4500\text{r/min}$
Temperature: $-30^{\circ}\text{C} \sim +150^{\circ}\text{C}$
Medium: Clean water, seawater, gas engine antifreeze



110



- Döner Yüzey (Ceramic/SiC)
- Sabit Eleman (Plastic Carbon/Carbon/SiC)
- Yay (SUS304/SUS316)
- Stationary Seat (SUS304/SUS316)
- Elastomer (NBR/EPDM/HNBR/VITON)
- Rotary Ring Holder (SUS304/SUS316/Q235-A)
- Rotary Ring (Ceramic/SiC)
- Stationary Ring (Plastic Carbon/Carbon/SiC)
- Spring (SUS304/SUS316)
- Stationary Seat (SUS304/SUS316)
- Secondary Seal (NBR/EPDM/HNBR/VITON)
- Rotary Ring Holder (SUS304/SUS316/Q235-A)

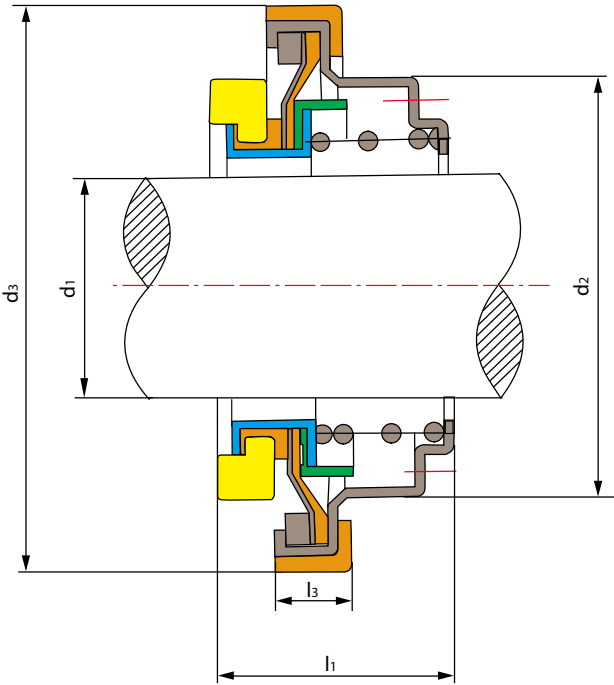
Model	d ₁ (mm)	d ₃	d ₇	l ₁	l ₂	l ₃	l ₄
DEMSFTK2-15	15	41	41	26.5	8.9	10	7.6
DEMSFTK2-16	16	41	41	26.5	8.9	10	7.6
DEMSFTK2-20	20	45	45	30.5	9.5	11	10.0
DEMSFTK2-25	25	52	52	36.5	12.6	13	10.9
DEMSFTK2-35	35	66	66	40.5	13.7	14	12.8

Çalışma Limitleri

Basınç: $\leq 0.3\text{MPa}$
 Devir: $\leq 3500\text{r/min}$
 Sıcaklık: $-30^{\circ}\text{C} \sim +150^{\circ}\text{C}$
 Ortam: temiz su, deniz suyu, motor antifrizi

Operating Limits

Pressure: $\leq 0.3\text{MPa}$
 Rotary Speed: $\leq 3500\text{r/min}$
 Temperature: $-30^{\circ}\text{C} \sim +150^{\circ}\text{C}$
 Medium: Clean water, seawater, gas engine antifreeze



- Döner Yüzey (Plastic Carbon/Carbon)
 - Kep (NBR/EPDM/HNBR/VITON)
 - Sabit Eleman (Brass/SUS304)
 - Elastomer (NBR/EPDM/HNBR/VITON)
 - Yay (SUS304/SUS316)
 - Körük (NBR/EPDM/HNBR/VITON)
 - Halted Ring (Q235-A)
 - Elastic Gasket (SUS304/SUS316)
 - Retainer (Brass/SUS304)
-
- Stationary Ring (Plastic Carbon/Carbon)
 - Cup Gasket (NBR/EPDM/HNBR/VITON)
 - Stationary Seat (Brass/SUS304)
 - Secondary Seal (NBR/EPDM/HNBR/VITON)
 - Spring (SUS304/SUS316)
 - Bellows (NBR/EPDM/HNBR/VITON)
 - Halted Ring (Q235-A)
 - Elastic Gasket (SUS304/SUS316)
 - Retainer (Brass/SUS304)

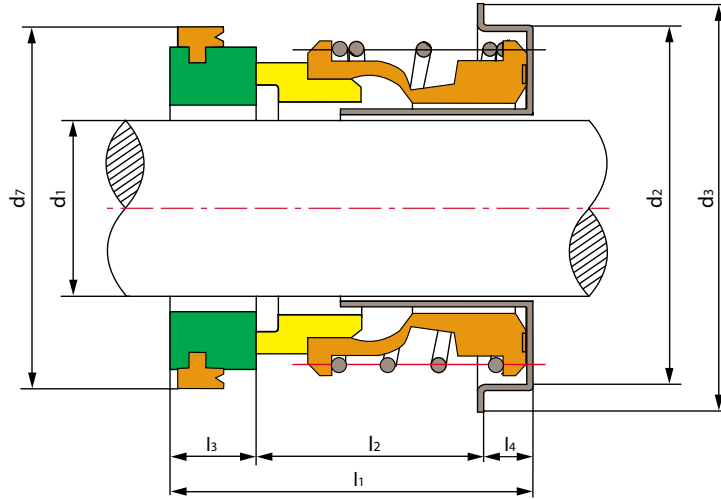
Model	d ₁ (mm)	d ₂	d ₃	l ₁	l ₃
DEMSFTS-25	25	43.6	58	21	6

Çalışma Limitleri

Basınç: $\leq 0.3\text{MPa}$
 Devir: $\leq 3500\text{r/min}$
 Sıcaklık: $-30^{\circ}\text{C} \sim +150^{\circ}\text{C}$
 Ortam: temiz su, deniz suyu, motor antifrizi

Operating Limits

Pressure: $\leq 0.3\text{MPa}$
 Rotary Speed: $\leq 3500\text{r/min}$
 Temperature: $-30^{\circ}\text{C} \sim +150^{\circ}\text{C}$
 Medium: Clean water, seawater, gas engine antifreeze



- Döner Yüzey (Ceramic/SiC)
- Sabit Eleman (Plastic Carbon/Carbon/SiC)
- Kep (NBR/EPDM/HNBR/VITON)
- Stationary Seat (Brass/SUS304/SUS316)
- Yay (65Mn/SUS304)
- Körük (NBR/EPDM/HNBR/VITON)
- Rotary Ring (Ceramic/SiC)
- Stationary Ring (Plastic Carbon/Carbon/SiC)
- Cup Gasket (NBR/EPDM/HNBR/VITON)
- Stationary Seat (Brass/SUS304/SUS316)
- Spring (65Mn/SUS304)
- Bellows (NBR/EPDM/HNBR/VITON)

Model	d ₁ (mm)	d ₂	d ₃	d ₇	l ₁	l ₂	l ₃	l ₄
DEMSFL-25S	25	47	53	47	44.5	24.5	14	6
DEMSFL-25L	25	52	58	47	47.5	26.5	14	7

Çalışma Limitleri

Basınç: $\leq 0.3\text{MPa}$
 Devir: $\leq 4500\text{r/min}$
 Sıcaklık: $-30^{\circ}\text{C} \sim +150^{\circ}\text{C}$

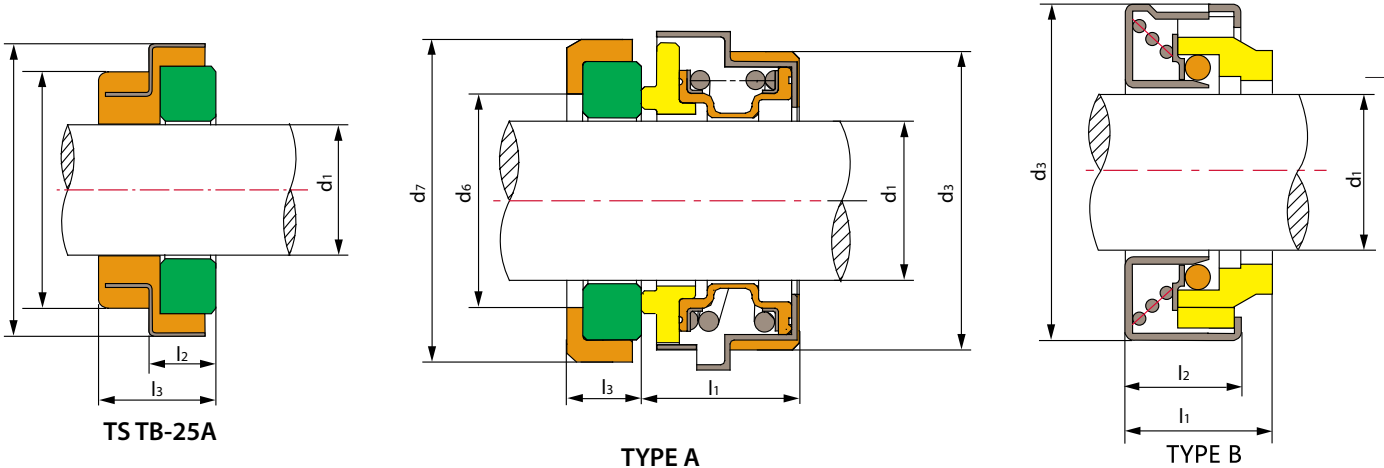
Operating Limits

Pressure: $\leq 0.3\text{MPa}$
 Rotary Speed: $\leq 4500\text{r/min}$
 Temperature: $-30^{\circ}\text{C} \sim +150^{\circ}\text{C}$



- Döner Yüzey (Ceramic/SiC)
- Sabit Eleman (Plastic Carbon/Carbon/SiC)
- Kep (NBR/EPDM/HNBR/VITON)
- Körük (NBR/EPDM/HNBR/VITON)
- Spring Holder (Brass)
- Yay (SUS304/SUS316)
- Retainer (Brass)

- Rotary Ring (Ceramic/SiC)
- Stationary Ring (Plastic Carbon/Carbon/SiC)
- Cup Gasket (NBR/EPDM/HNBR/VITON)
- Bellows (NBR/EPDM/HNBR/VITON)
- Spring Holder (Brass)
- Spring (SUS304/SUS316)
- Retainer (Brass)



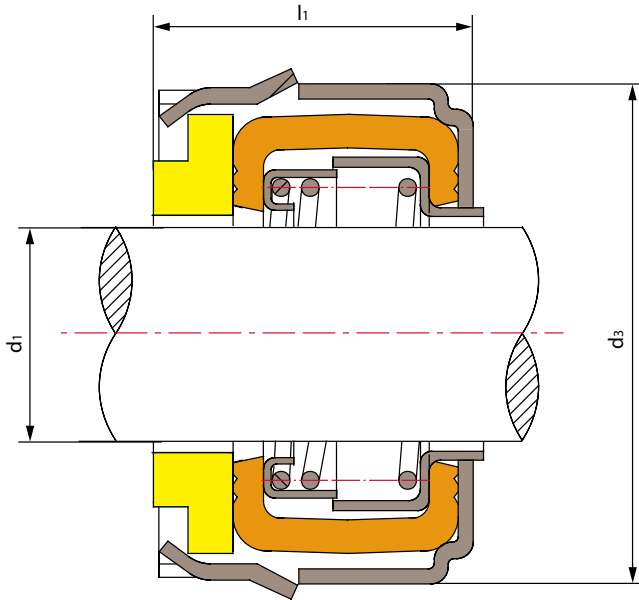
Model	d ₁ (mm)	d ₃	d ₆	d ₇	l ₁	l ₂	l ₃	TYPE
DEMSTB-12	12	40	/	28.575	10.7	10.3	4.45	B
DEMSTB-25	25	44	32	44	21.5	/	8.5	A
DEMSTB-25A	25	44	35	41	21.5	5	10	A
DEMSTB-25H	25	44	32	44	21.5	/	10	A
Model	d ₁ (inches)	d ₃	d ₆	d ₇	l ₁	l ₂	l ₃	TYPE
DEMSTB-3/8"	9.525	20.6	/	/	8.5	7.2	/	B
DEMSTB-3/8"A	9.525	20.6	/	/	6.5	5.9	/	B
DEMSTB-5/8"	15.875	28.6	/	25.5	9.8	9.6	5.7	B
DEMSTB-11/16"	17.5	30.1	/	/	9	8.4	/	B
DEMSTB-1"	25.4	50.8	/	/	10.16	9.65	/	B

Çalışma Limitleri

Basınç: $\leq 0.3\text{MPa}$
 Devir: $\leq 4500\text{r/min}$
 Sıcaklık: $-30^{\circ}\text{C} \sim +150^{\circ}\text{C}$

Operating Limits

Pressure: $\leq 0.3\text{MPa}$
 Rotary Speed: $\leq 4500\text{r/min}$
 Temperature: $-30^{\circ}\text{C} \sim +150^{\circ}\text{C}$



- Sabit Eleman (Plastic Carbon/Carbon/SiC)
 - Elastomer (NBR/EPDM/HNBR/VITON)
 - Yay (65Mn/SUS304)
 - Diğer Parçalar (Brass/SUS304/Q235-A)
-
- Stationary Ring(Plastic Carbon/Carbon/SiC)
 - Secondary Seal (NBR/EPDM/HNBR/VITON)
 - Spring (65Mn/SUS304)
 - Other Parts (Brass/SUS304/Q235-A)

114

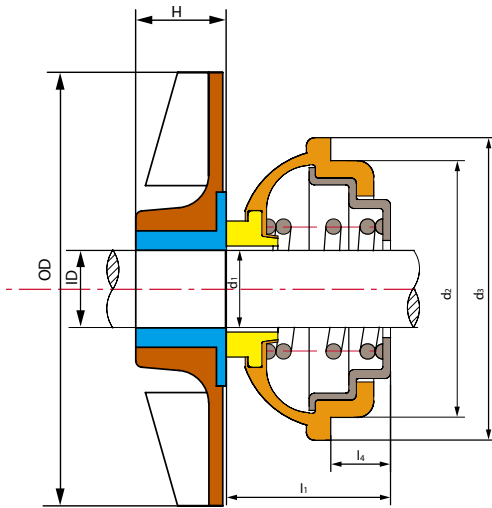
Model	d_1 (mm)	d_3	l_1
DEMST-08	16	36.5	16.5
DEMST-08S	16	33.4	14.5
DEMST-04	20	43	18
DEMST-04H	20	40.8	22.5
DEMST-02S	25	51	25.5
DEMST-02M	25	52	20
DEMST-02L	25	52.5	22
DEMST-02LA	25	52	22

Çalışma Limitleri

Basınç: $\leq 0.3\text{MPa}$
 Devir: $\leq 5000\text{r/min}$
 Sıcaklık: $-30^{\circ}\text{C} \sim +150^{\circ}\text{C}$
 Ortam: temiz su, deniz suyu, motor antifrizi

Operating Limits

Pressure: $\leq 0.1\text{MPa}$
 Rotary Speed: $\leq 5000\text{r/min}$
 Temperature: $-30^{\circ}\text{C} \sim +150^{\circ}\text{C}$
 Medium: Clean water, seawater, gas engine antifreeze



- Döner Yüzey (Free-cutting Iron) * with PA66impeller
- Sabit Eleman(Plastic Carbon/Carbon/SiC)
- Elastomer (NBR/EPDM/HNBR/VITON)
- Yay (SUS304/SUS316/65Mn)
- Diğer Parçalar (SUS304/SUS316/Q235-A)

- Rotary Ring (Free-cutting Iron) * with PA66 impeller
- Stationary Ring(Plastic Carbon/Carbon/SiC)
- Secondary Seal (NBR/EPDM/HNBR/VITON)
- Spring (SUS304/SUS316/65Mn)
- Other Parts (SUS304/SUS316/Q235-A)

Model	d ₁ (mm)	d ₂	d ₃	l ₁	l ₄	equivalent
DEMSK-12	12	29	36.0	14.0	8.0	\
DEMSK-12A(with impeller)	12	30	37.0	13.5	6.0	\
DEMSK-14A	14	34	40.6	15.5	7.0	\
DEMSK-14B	14	30	36.0	16.5	7.0	K-14D
DEMSK-14C	14	35	40.6	15.5	7.0	\
DEMSK-16A	16	38	43.6	16.5	8.0	\
DEMSK-16B	16	37	42.5	16.5	8.0	K-16E
DEMSK-16C	16	36	42.0	16.5	8.0	K-16F
DEMSK-19	19	40	49.0	15.5	8.0	K-20
DEMSK-28	28	49	56.5	27.5	9.5	\

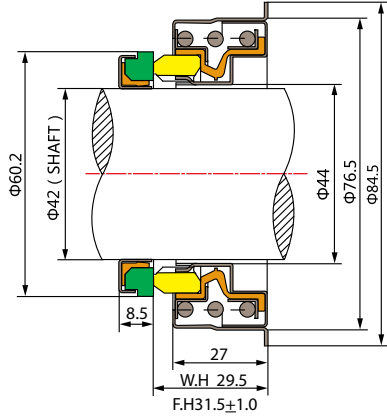
DEMS UM-42

Çalışma Limitleri

Basınç: $\leq 0.3\text{MPa}$
Devir: $\leq 3000\text{r/min}$
Sıcaklık: $-30^{\circ}\text{C} \sim +180^{\circ}\text{C}$

Operating Limits

Pressure: $\leq 0.3\text{MPa}$
Rotary Speed: $\leq 3000\text{r/min}$
Temperature: $-30^{\circ}\text{C} \sim +180^{\circ}\text{C}$



- Sabit Eleman (Sic)
- Döner Yüzey (Sic)
- Elastomer (NBR/VITON/EPDM)
- Yay & Diğer Parçalar (SUS304/SUS316)
- Stationary Ring(Sic)
- Rotary Ring(Sic)
- Secondary Seal (NBR/VITON/EPDM)
- Spring & Other Parts (SUS304/SUS316)

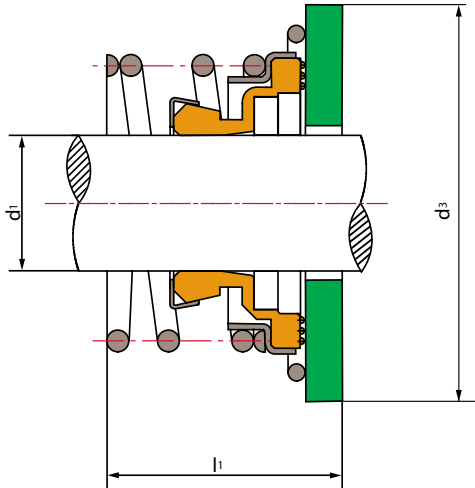
DEMS XP

Çalışma Limitleri

Basınç: $\leq 0.3\text{MPa}$
Devir: $\leq 4500\text{r/min}$
Sıcaklık: $-30^{\circ}\text{C} \sim +150^{\circ}\text{C}$

Operating Limits

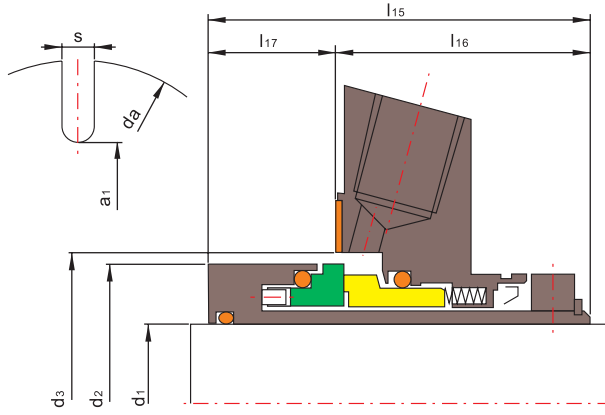
Pressure: $\leq 0.3\text{MPa}$
Rotary Speed: $\leq 4500\text{r/min}$
Temperature: $-30^{\circ}\text{C} \sim +150^{\circ}\text{C}$



- Döner Yüzey (Plastic Carbon/Carbon)
- Elastomer (NBR/EPDM/HNBR/VITON)
- Yay & Diğer Parçalar (SUS304/SUS316)
- Rotary Ring(Plastic Carbon/Carbon)
- Secondary Seal (NBR/EPDM/HNBR/VITON)
- Spring & Other Parts (SUS304/SUS316)

Model	d ₁ (mm)	d ₃	l ₁
DEMSP-15	15	42.8	27.5
DEMSP-17	17	42.0	22.5
DEMSP-19	19	42.5	26.8
DEMSP-24	24	50.3	29.0
DEMSP-24A	24	46.9	22.0

DEMS 400



Çalışma Limitleri

Basınç: $\leq 2.5\text{MPa}$
 Hız: $\leq 16\text{m/s}$
 Sıcaklık: $-40^\circ\text{C} \sim +220^\circ\text{C}$

Operating Limits

Pressure: $\leq 2.5\text{MPa}$
 Speed: $\leq 16\text{m/s}$
 Temperature: $-40^\circ\text{C} \sim +220^\circ\text{C}$

- Döner Yüzey (SiC/TC)
- Sabit Elemanlar (SiC/Carbon/TC)
- Elastomer (VITON/AFLAS/Kalrez)
- Diğer Parçalar (C-276/Duplex/316)
- Rotary Ring (SiC/TC)
- Stationary Ring SiC/Carbon/TC)
- Secondary Seal (VITON/AFLAS/Kalrez)
- Other Parts (C-276/Duplex/316)

117

d ₁ (mm)	d ₂	d ₃		l ₁₅ (max.)	l ₁₆ (max.)	l ₁₇ (max.)	a ₁	d _a	s
		min	max						
25.0	43.0	44.0	51.5	79.5	53.4	26.1	62.0	105.0	13.2
28.0	46.0	47.0	52.0	79.5	53.4	26.1	62.0	105.0	13.2
30.0	48.0	49.0	56.0	79.5	53.4	26.1	65.0	105.0	13.2
32.0	49.8	51.0	57.0	79.5	53.4	26.1	67.0	108.0	13.2
33.0	49.8	51.0	57.0	79.5	53.4	26.1	67.0	108.0	13.2
35.0	53.0	54.0	61.5	79.5	53.4	26.1	70.0	113.0	13.2
38.0	56.0	57.0	66.0	79.5	53.4	26.1	75.0	123.0	13.2
40.0	58.0	59.0	68.0	79.5	53.4	26.1	75.0	123.0	14.2
42.0	60.5	61.5	69.5	79.5	53.4	26.1	80.0	133.0	14.2
43.0	60.5	61.5	70.5	79.5	53.4	26.1	80.0	133.0	14.2
45.0	62.5	64.0	73.0	79.5	53.4	26.1	81.0	138.0	14.2
48.0	65.6	67.0	75.0	79.5	53.4	26.1	84.0	138.0	14.2
50.0	68.0	69.0	78.0	79.5	53.4	26.1	87.0	148.0	14.2
53.0	72.0	73.0	87.0	79.5	53.4	26.1	97.0	148.0	18.0
55.0	73.0	74.0	83.0	79.5	53.4	26.1	90.0	148.0	18.0
60.0	78.0	79.0	91.0	79.5	53.4	26.1	102.0	157.0	18.0
65.0	84.8	85.7	98.5	79.5	53.4	26.1	109.0	163.0	18.0
70.0	93.0	95.0	108.0	79.5	53.4	26.1	118.0	178.0	18.0

d ₁ (inches)	d ₂	d ₃		l ₁₅ (max.)	l ₁₆ (max.)	l ₁₇ (max.)	a ₁	d _a	s
		min	max						
1.000	1.693	1.750	2.000	3.130	2.102	1.028	2.440	4.134	0.520
1.125	1.811	1.875	2.050	3.130	2.102	1.028	2.440	4.134	0.520
1.250	1.960	2.000	2.250	3.130	2.102	1.028	2.640	4.330	0.520
1.375	2.086	2.125	2.420	3.130	2.102	1.028	2.750	4.449	0.520
1.500	2.200	2.250	2.625	3.130	2.102	1.028	2.950	4.842	0.520
1.625	2.340	2.375	2.700	3.130	2.102	1.028	3.030	4.842	0.599
1.750	2.460	2.500	2.812	3.130	2.102	1.028	3.190	5.433	0.599
1.875	2.582	2.625	2.940	3.130	2.102	1.028	3.190	5.433	0.599
2.000	2.677	2.750	3.190	3.130	2.102	1.028	3.430	5.827	0.599
2.125	2.834	2.875	3.437	3.130	2.102	1.028	3.820	5.827	0.709
2.250	2.960	3.000	3.560	3.130	2.102	1.028	3.940	6.181	0.709
2.375	3.070	3.125	3.590	3.130	2.102	1.028	4.020	6.181	0.709
2.500	3.212	3.250	3.800	3.130	2.102	1.028	4.170	6.417	0.709
2.625	3.338	3.375	3.937	3.130	2.102	1.028	4.290	6.417	0.709
2.750	3.660	3.750	4.250	3.130	2.102	1.028	4.650	7.008	0.709

DEMS 400-J01

Çalışma Limitleri

Basınç: ≤ 2.1 MPa (shaft diameters ≤ 75 mm)
 ≤ 1.3 MPa (shaft diameters > 75 mm)
 Hız: ≤ 25 m/s
 Sıcaklık: $-30^{\circ}\text{C} \sim +205^{\circ}\text{C}$

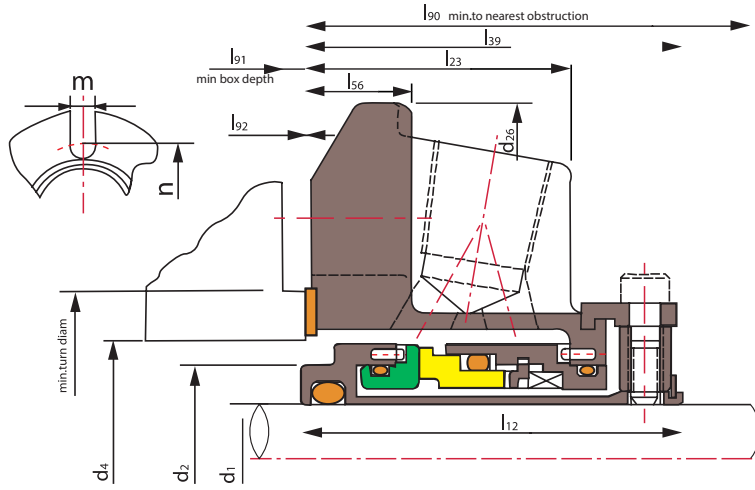
Operating Limits

Pressure: ≤ 2.1 MPa (shaft diameters ≤ 75 mm)
 ≤ 1.3 MPa (shaft diameters > 75 mm)
 Speed: ≤ 25 m/s
 Temperature: $-30^{\circ}\text{C} \sim +205^{\circ}\text{C}$



d ₁ (mm)	d ₂	d ₄		d ₂₆	l ₁₂	l ₂₃	l ₃₉	l ₅₆	l ₉₀	l ₉₁	l ₉₂	m	n
		min	max										
25	34.9	36.7	48.0	101.6	50.5	34.4	49.6	13.5	50.8	4.0	0.9	13.3	71.2
28	38.1	\	51.2	104.8	52.4	36.7	52.4	13.5	54.0	3.2	\	13.3	74.5
30	40.0	\	56.5	108.0	52.4	36.7	52.4	13.5	54.0	3.2	\	13.3	79.9
32	41.3	\	58.3	108.0	52.4	36.7	52.4	13.5	54.0	3.2	\	13.3	81.6
33	44.5	\	61.5	111.1	52.4	36.7	52.4	13.5	54.0	3.2	\	13.3	84.8
35	44.5	\	61.5	111.1	52.4	36.7	52.4	13.5	54.0	3.2	\	13.3	84.8
38	49.2	51.0	68.1	123.8	54.8	37.8	54.0	15.1	55.5	4.0	0.8	13.3	91.4
40	52.4	54.2	71.4	127.0	54.8	37.8	54.0	15.1	55.5	4.0	0.8	14.3	95.7
43	55.1	56.9	74.1	133.4	54.8	37.8	54.0	15.1	55.5	4.0	0.8	14.3	98.4
45	55.1	56.9	74.1	133.4	54.8	37.8	54.0	15.1	55.5	4.0	0.8	14.3	98.4
48	58.7	60.5	74.1	133.4	54.8	37.8	54.0	15.1	55.5	4.0	0.8	14.3	98.4
50	61.9	63.7	76.6	139.7	60.3	40.7	58.7	27.0	60.3	4.7	1.6	14.3	101.6
53	65.1	66.9	85.3	148.8	60.3	40.7	58.7	15.1	60.3	4.7	1.6	17.4	113.5
55	66.7	75.0	85.3	148.8	60.3	40.7	58.7	15.1	60.3	4.7	1.6	17.4	113.5
58	68.2	70.0	88.5	165.1	60.3	40.7	58.7	15.1	60.3	4.7	1.6	17.4	116.0
60	71.4	73.2	91.7	165.1	63.1	43.6	62.6	15.9	64.2	3.6	1.6	17.4	119.9
63	77.8	\	98.8	171.5	63.1	43.6	65.1	15.9	66.7	3.2	0.5	17.4	127.0
65	77.8	\	98.8	171.5	63.1	43.6	65.1	15.9	66.7	3.2	\	17.4	127.0
68	84.1	\	103.2	171.5	63.5	41.3	63.5	15.9	65.1	3.2	\	17.4	131.3
70	84.1	\	103.2	171.5	63.5	41.3	63.5	15.9	65.1	3.2	\	17.4	131.3
75	92.1	\	113.5	196.9	63.5	45.4	65.1	17.4	66.7	3.2	1.36	20.6	145.3
80	95.3	97.9	116.8	196.9	65.1	40.5	63.8	\	66.9	4.5	\	20.6	148.4
85	101.6	104.8	123.2	206.4	65.1	40.5	65.1	\	68.3	3.2	\	20.1	154.8
90	107.1	110.3	129.5	212.7	65.1	40.5	65.1	\	68.3	3.2	\	17.4	158.8
95	110.3	113.5	132.1	222.3	65.1	40.5	65.1	\	68.3	3.2	\	17.4	172.0
100	116.7	119.8	139.7	228.6	65.1	40.5	65.1	\	68.3	3.2	\	20.6	171.7
105	119.8	123.0	142.9	228.6	65.1	40.5	65.1	\	68.3	3.2	\	20.6	174.9
110	129.4	132.5	152.4	241.3	65.1	40.5	65.1	\	68.3	3.2	\	20.6	184.4
115	129.4	132.5	152.4	241.3	65.1	40.5	65.1	\	68.3	3.2	\	20.6	184.4
120	135.7	138.9	160.4	263.5	65.1	40.5	65.1	\	68.3	3.2	\	20.6	192.4
125	148.4	151.6	184.4	304.8	75.0	44.4	77.3	\	80.5	3.2	\	20.6	254.0
130	154.8	157.9	190.8	311.2	75.0	44.4	77.3	\	80.5	3.2	\	20.6	260.4
135	161.1	164.3	203.2	322.3	75.0	44.4	77.3	\	80.5	3.2	\	23.8	266.7
140	161.1	164.3	203.2	322.3	75.0	44.4	77.3	\	80.5	3.2	\	23.8	266.7

DEMS 400-J01



- Döner Yüzey (SiC/TC)
- Rotary Ring (SiC/TC)
- Sabit Elemanlar (SiC/Carbon/TC)
- Stationary Ring (SiC/Carbon/TC)
- Elastomer (VITON/Encapsulated Ring/PTFE)
- Secondary Seal (VITON/Encapsulated Ring/PTFE)
- Diğer Parçalar (SUS304/SUS316/Titanium/Hastelloy-C)
- Other Parts (SUS304/SUS316/Titanium/Hastelloy-C)

d ₁ (inches)	d ₂	d ₄		d ₂₆	l ₁₂	l ₂₃	l ₃₉	l ₅₆	l ₉₀	l ₉₁	l ₉₂	m	n
		min	max										
1.000	1.375	1.445	1.889	4.000	1.989	1.353	1.954	0.531	2.000	0.160	0.035	0.525	2.805
1.125	1.500	*	2.015	4.125	2.062	1.446	2.062	0.531	2.125	0.125	*	0.525	2.933
1.250	1.625	*	2.294	4.250	2.062	1.446	2.062	0.531	2.125	0.125	*	0.525	3.213
1.375	1.750	*	2.421	4.375	2.062	1.446	2.062	0.531	2.125	0.125	*	0.525	3.338
1.500	1.937	2.007	2.680	4.875	2.156	1.487	2.125	0.593	2.187	0.156	0.031	0.525	3.599
1.625	2.062	2.132	2.812	5.000	2.156	1.487	2.125	0.593	2.187	0.156	0.031	0.562	3.766
1.750	2.170	2.240	2.918	5.250	2.156	1.487	2.125	0.593	2.187	0.156	0.031	0.562	3.875
1.875	2.312	2.382	2.918	5.250	2.156	1.487	2.125	0.593	2.187	0.156	0.031	0.562	3.875
2.000	2.437	2.507	3.015	5.500	2.375	1.601	2.312	1.063	2.375	0.187	0.062	0.562	4.000
2.125	2.562	2.632	3.360	5.859	2.375	1.601	2.312	0.593	2.375	0.187	0.062	0.687	4.469
2.250	2.687	2.757	3.485	6.500	2.375	1.601	2.312	0.593	2.375	0.187	0.062	0.687	4.566
2.375	2.812	2.882	3.610	6.500	2.484	1.717	2.466	0.625	2.528	0.143	0.018	0.687	4.719
2.500	3.062	*	3.891	6.750	2.484	1.717	2.562	0.625	2.625	0.125	*	0.687	5.000
2.625	3.312	*	4.062	6.750	2.500	1.625	2.500	0.625	2.562	0.125	*	0.687	5.170
2.750	3.312	*	4.062	6.750	2.500	1.625	2.500	0.625	2.562	0.125	*	0.687	5.170
2.875	3.375	*	4.186	7.000	2.500	1.725	2.500	0.625	2.562	0.125	*	0.687	5.312
3.000	3.625	*	4.469	7.750	2.500	1.787	2.562	0.685	2.625	0.125	*	0.812	5.720
3.125	3.750	3.853	4.600	7.875	2.562	1.593	2.562	**	2.687	0.125	*	0.812	5.845
3.250	3.750	3.853	4.600	7.437	2.562	1.593	2.510	**	2.635	0.177	0.052	0.812	5.845
3.375	4.000	4.125	4.850	8.125	2.562	1.593	2.562	**	2.687	0.125	*	0.812	6.095
3.500	4.125	4.250	4.975	8.250	2.562	1.593	2.562	**	2.687	0.125	*	0.812	6.220
3.625	4.218	4.343	5.100	8.375	2.562	1.593	2.562	**	2.687	0.125	*	0.687	6.250
3.750	4.343	4.468	5.199	8.750	2.562	1.593	2.562	**	2.687	0.125	*	0.687	6.770
3.875	4.468	4.593	5.375	8.750	2.562	1.593	2.562	**	2.687	0.125	*	0.812	6.636
4.000	4.593	4.718	5.500	9.000	2.562	1.593	2.562	**	2.687	0.125	*	0.812	6.761
4.125	4.718	4.843	5.625	9.000	2.562	1.593	2.562	**	2.687	0.125	*	0.812	6.886
4.250	4.843	4.968	5.750	9.250	2.562	1.593	2.562	**	2.687	0.125	*	0.812	7.011
4.500	5.093	5.218	6.000	9.500	2.562	1.593	2.562	**	2.687	0.125	*	0.812	7.261
4.750	5.343	5.468	6.313	10.375	2.562	1.593	2.562	**	2.687	0.125	*	0.812	7.574
5.000	5.843	5.968	7.260	12.000	2.953	1.749	3.043	**	3.168	0.125	*	0.812	10.000
5.250	6.093	6.218	7.510	12.250	2.953	1.749	3.043	**	3.168	0.125	*	0.812	10.250
5.500	6.343	6.468	8.000	12.687	2.953	1.749	3.043	**	3.168	0.125	*	0.937	10.500

DEMS 400-J02

Çalışma Limitleri

Basınç: ≤ 2.1 MPa (shaft diameters ≤ 75 mm)
 ≤ 1.3 MPa (shaft diameters > 75 mm)
 Hız: ≤ 25 m/s
 Sıcaklık: $-30^{\circ}\text{C} \sim +205^{\circ}\text{C}$

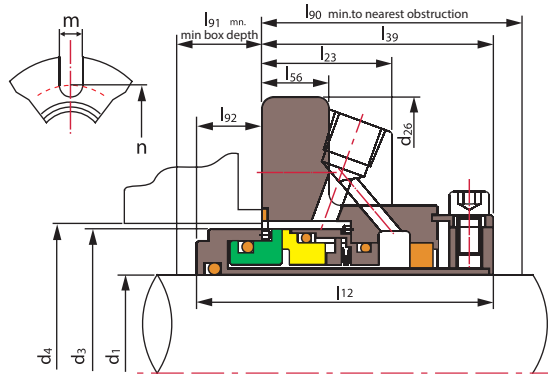
Operating Limits

Pressure: ≤ 2.1 MPa (shaft diameters ≤ 75 mm)
 ≤ 1.3 MPa (shaft diameters > 75 mm)
 Speed: ≤ 25 m/s
 Temperature: $-30^{\circ}\text{C} \sim +205^{\circ}\text{C}$



d ₁ (mm)	d ₃	d ₄		d ₂₆	l ₁₂	l ₂₃	l ₃₉	l ₅₆	l ₉₀	l ₉₁	l ₉₂	m	n
		min	max										
24	39.7	41.3	48.0	101.6	65.4	34.4	49.6	13.5	50.8	18.9	15.8	13.3	71.2
25	39.7	41.3	48.0	101.6	65.4	34.4	49.6	13.5	50.8	18.9	15.8	13.3	71.2
28	42.9	44.5	51.2	104.8	67.3	36.7	52.4	13.5	54.0	18.1	15.0	13.3	74.5
30	44.5	46.1	56.5	108.0	65.1	36.7	52.4	13.5	54.0	15.9	12.7	13.3	79.9
32	46.0	47.6	58.3	108.0	69.3	36.7	52.4	13.5	54.0	20.1	16.9	13.3	81.6
33	49.3	50.8	61.5	111.1	69.3	36.7	52.4	13.5	54.0	20.1	16.9	13.3	84.8
35	49.3	50.8	61.5	111.1	69.3	36.7	52.4	13.5	54.0	20.1	16.9	13.3	84.8
38	55.5	57.2	68.1	123.8	69.7	37.8	54.0	15.1	55.5	18.9	15.7	13.3	91.4
40	58.7	60.3	71.4	127.0	69.7	37.8	54.0	15.1	55.5	18.9	15.7	14.3	95.7
43	61.1	63.0	74.1	133.4	69.7	37.8	54.0	15.1	55.5	18.9	15.7	14.3	98.4
45	61.1	63.0	74.1	133.4	69.7	37.8	54.0	15.1	55.5	18.9	15.7	14.3	98.4
48	64.7	66.7	74.1	133.4	69.7	37.8	54.0	15.1	55.5	18.9	15.7	14.3	98.4
50	67.9	70.0	76.6	139.7	75.3	40.7	58.7	27.0	60.3	19.7	16.5	14.3	101.6
53	71.1	73.0	85.3	148.8	75.3	40.7	58.7	15.1	60.3	19.7	16.5	17.4	113.5
55	72.9	75.0	85.3	148.8	75.3	40.7	58.7	15.1	60.3	19.7	16.5	17.4	113.5
58	74.2	76.2	88.5	165.1	75.3	40.7	58.7	15.1	60.3	19.7	16.5	17.4	116.0
60	77.4	79.4	91.7	165.1	77.8	43.6	62.6	15.9	64.2	18.3	15.2	17.4	119.9
63	83.8	85.7	98.8	171.5	75.7	43.6	65.1	15.9	66.7	13.8	10.6	17.4	127.0
65	83.8	85.7	98.8	171.5	75.7	43.6	65.1	15.9	66.7	13.8	10.6	17.4	127.0
68	90.2	92.1	103.2	171.5	78.4	41.3	63.5	15.9	65.1	18.1	14.9	17.4	131.3
70	90.2	92.1	103.2	171.5	78.4	41.3	63.5	15.9	65.1	18.1	14.9	20.6	131.3
75	98.1	99.9	113.5	196.9	78.4	45.4	65.1	17.4	66.7	16.5	13.4	20.6	145.3
80	102.2	104.8	116.8	189.0	80.2	40.5	63.8	\	66.9	18.0	14.8	20.6	148.5
85	107.9	111.1	123.2	206.4	80.2	40.5	65.1	\	68.3	18.3	15.1	17.4	154.8
90	114.3	117.5	129.5	212.7	80.2	40.5	65.1	\	68.3	18.3	15.1	17.4	158.8
95	117.5	120.0	132.1	222.3	80.2	40.5	65.1	\	68.3	18.3	15.1	20.6	172.0
100	123.8	127.0	139.7	228.6	80.2	40.5	65.1	\	68.3	18.3	15.1	20.6	171.7
105	127.0	130.2	142.9	228.6	80.2	40.5	65.1	\	68.3	18.3	15.1	20.6	174.9
110	136.5	139.7	152.4	241.3	80.2	40.5	65.1	\	68.3	18.3	15.1	20.6	184.4
115	136.5	139.7	152.4	241.3	80.2	40.5	65.1	\	68.3	18.3	15.1	20.6	184.4
120	142.9	146.1	160.4	263.5	80.2	40.5	65.1	\	68.3	18.3	15.1	20.6	192.4
125	155.6	158.8	184.4	304.8	91.7	91.4	77.3	\	80.5	17.6	14.4	20.6	254.0
130	161.9	165.1	190.8	311.2	91.7	91.4	77.3	\	80.5	17.6	14.4	20.6	260.4
135	168.3	171.5	203.2	322.3	91.7	91.4	77.3	\	80.5	17.6	14.4	23.8	266.7
140	168.3	171.5	203.2	322.3	91.7	91.4	77.3	\	80.5	17.6	14.4	23.8	266.7

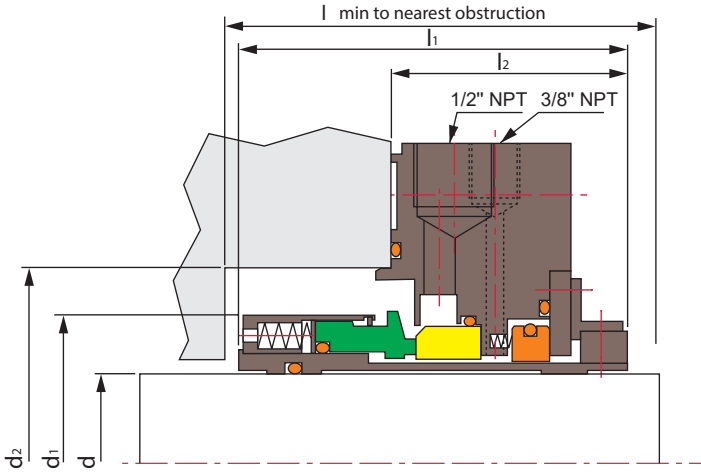
DEMS 400-J02



- Döner Yüzey (SiC/TC)
- Sabit Elemanlar (SiC/Carbon/TC)
- Elastomer (VITON/Encapsulated Ring/PTFE)
- Diğer Parçalar (SUS304/SUS316/Titanium/Hastelloy-C)
- Rotary Ring (SiC/TC)
- Stationary Ring (SiC/Carbon/TC)
- Secondary Seal (VITON/Encapsulated Ring/PTFE)
- Other Parts (SUS304/SUS316/Titanium/Hastelloy-C)

d ₁ (inches)	d ₃	d ₄		d ₂₆	l ₁₂	l ₂₃	l ₃₉	l ₅₆	l ₉₀	l ₉₁	l ₉₂	m	n
		min	max										
1.000	1.564	1.625	1.889	4.000	2.575	1.353	1.954	0.531	2.000	0.746	0.621	0.525	2.805
1.125	1.689	1.750	2.015	4.125	2.651	1.446	2.062	0.531	2.125	0.714	0.589	0.525	2.933
1.250	1.812	1.875	2.294	4.250	2.728	1.446	2.062	0.531	2.125	0.791	0.666	0.525	3.213
1.375	1.939	2.000	2.421	4.375	2.728	1.446	2.062	0.531	2.125	0.791	0.666	0.525	3.338
1.500	2.187	2.250	2.680	4.875	2.744	1.487	2.125	0.593	2.187	0.744	0.619	0.525	3.599
1.625	2.312	2.375	2.812	5.000	2.744	1.487	2.125	0.593	2.187	0.744	0.619	0.562	3.766
1.750	2.406	2.480	2.918	5.250	2.744	1.487	2.125	0.593	2.187	0.744	0.619	0.562	3.875
1.875	2.549	2.625	2.918	5.250	2.744	1.487	2.125	0.593	2.187	0.744	0.619	0.562	3.875
2.000	2.673	2.750	3.015	5.500	2.963	1.601	2.312	1.032	2.375	0.775	0.650	0.562	4.000
2.125	2.798	2.875	3.360	5.859	2.963	1.601	2.313	0.593	2.375	0.775	0.650	0.687	4.469
2.250	2.923	3.000	3.485	6.500	2.963	1.601	2.313	0.593	2.375	0.775	0.650	0.687	4.566
2.375	3.048	3.125	3.610	6.500	3.063	1.717	2.466	0.625	2.528	0.722	0.597	0.687	4.719
2.500	3.301	3.375	3.891	6.750	2.980	1.717	2.563	0.625	2.625	0.542	0.417	0.687	5.000
2.625	3.551	3.625	4.062	6.750	3.088	1.625	2.500	0.625	2.562	0.713	0.588	0.687	5.170
2.750	3.551	3.625	4.062	6.750	3.088	1.625	2.500	0.625	2.562	0.713	0.588	0.687	5.170
2.875	3.614	3.687	4.186	7.000	3.088	1.725	2.500	0.625	2.562	0.713	0.588	0.687	5.312
3.000	3.864	3.934	4.469	7.750	3.088	1.787	2.562	0.685	2.625	0.651	0.526	0.812	5.720
3.125	4.022	4.125	4.600	7.875	3.156	1.593	2.562	*	2.687	0.719	0.594	0.812	5.845
3.250	4.022	4.125	4.600	7.437	3.093	1.593	2.510	*	2.635	0.708	0.583	0.812	5.845
3.375	4.246	4.375	4.850	8.125	3.156	1.593	2.562	*	2.687	0.719	0.594	0.812	6.095
3.500	4.371	4.500	4.975	8.250	3.156	1.593	2.562	*	2.687	0.719	0.594	0.812	6.220
3.625	4.500	4.625	5.100	8.375	3.156	1.593	2.562	*	2.687	0.719	0.594	0.687	6.250
3.750	4.625	4.724	5.199	8.750	3.156	1.593	2.562	*	2.687	0.719	0.594	0.687	6.770
3.875	4.750	4.875	5.375	8.750	3.156	1.593	2.562	*	2.687	0.719	0.594	0.812	6.636
4.000	4.875	5.000	5.500	9.000	3.156	1.593	2.562	*	2.687	0.719	0.594	0.812	6.761
4.125	5.000	5.125	5.625	9.000	3.156	1.593	2.562	*	2.687	0.719	0.594	0.812	6.886
4.250	5.125	5.250	5.750	9.250	3.156	1.593	2.562	*	2.687	0.719	0.594	0.812	7.011
4.500	5.375	5.500	6.000	9.500	3.156	1.593	2.562	*	2.687	0.719	0.594	0.812	7.261
4.750	5.625	5.750	6.313	10.375	3.156	1.593	2.562	*	2.687	0.719	0.594	0.812	7.574
5.000	6.125	6.250	7.260	12.000	3.609	1.749	3.043	*	3.168	0.691	0.566	0.812	10.000
5.250	6.375	6.500	7.510	12.250	3.609	1.749	3.043	*	3.168	0.691	0.566	0.812	10.250
5.500	6.625	6.750	8.000	12.687	3.609	1.749	3.043	*	3.168	0.691	0.566	0.937	10.500

DEMS 400-J08



Çalışma Limitleri

Basınç: $\leq 6.9\text{MPa}$
 Hız: $\leq 25\text{m/s}$
 Sıcaklık: $-40^{\circ}\text{C} \sim +260^{\circ}\text{C}$

Operating Limits

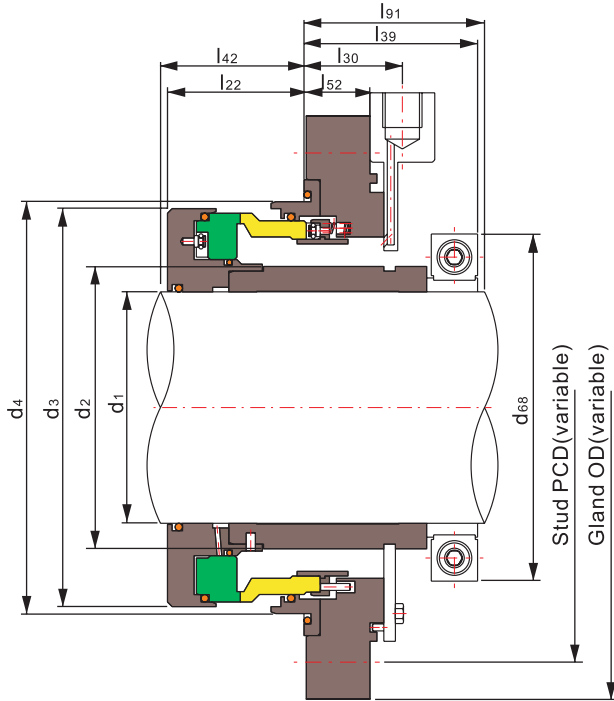
Pressure: $\leq 6.9\text{MPa}$
 Speed: $\leq 25\text{m/s}$
 Temperature: $-40^{\circ}\text{C} \sim +260^{\circ}\text{C}$

122

- Döner Yüzey (SiC/Carbon/TC)
- Sabit Elemanlar (SiC/TC)
- Elastomer (Encapsulated Ring/PTFE)
- Diğer Parçalar (SUS304/SUS316/Titanium/Hastelloy-C)
- Rotary Ring (SiC/Carbon/TC)
- Stationary Ring (SiC/TC)
- Secondary Seal (Encapsulated Ring/PTFE)
- Other Parts (SUS304/SUS316/Titanium/Hastelloy-C)

d(inches)	d ₁	d ₂	l ₁	l ₂	l
1.000	2.125	2.500	3.812	2.562	5.750
1.125	2.375	2.750	4.125	2.562	5.750
1.250	2.500	2.875	4.125	2.562	5.750
1.375	2.625	3.000	4.125	2.562	5.750
1.500	2.750	3.125	4.125	2.562	5.750
1.625	3.000	3.375	4.437	2.562	5.750
1.750	3.125	3.500	4.437	2.562	5.750
1.875	3.250	3.625	4.437	2.562	5.750
2.000	3.375	3.750	4.437	2.562	6.500
2.125	3.500	3.875	4.437	2.562	6.500
2.250	3.625	4.000	4.437	2.625	6.500
2.375	3.750	4.125	4.500	2.625	6.500
2.500	3.812	4.187	4.500	2.625	6.500
2.625	3.937	4.312	4.500	2.625	6.500
2.750	4.125	4.500	4.500	2.781	6.500
2.875	4.250	4.625	4.656	2.781	6.500
3.000	4.375	4.750	4.656	2.781	6.500
3.125	4.500	4.875	4.656	2.781	7.000
3.250	4.625	5.000	4.656	2.781	7.000
3.375	4.750	5.125	4.656	2.781	7.000
3.500	4.875	5.250	4.656	2.781	7.000
3.625	5.125	5.500	4.656	2.781	7.000
3.750	5.250	5.625	4.656	2.781	7.000
3.875	5.375	5.750	4.656	2.781	7.000
4.000	5.500	5.875	4.656	2.781	7.000
4.125	5.625	6.000	4.656	2.781	7.000
4.250	5.750	6.125	4.656	2.781	7.000

DEMS 400-J09



Çalışma Limitleri

Basınç: $\leq 3\text{MPa}$
 Hız: $\leq 20\text{m/s}$
 Sıcaklık: $-80^{\circ}\text{C} \sim +200^{\circ}\text{C}$ (water quench)

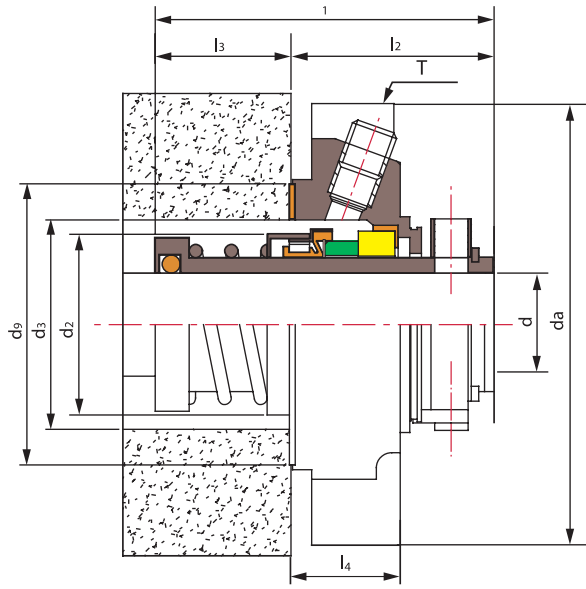
Operating Limits

Pressure: $\leq 3\text{MPa}$
 Speed: $\leq 20\text{m/s}$
 Temperature: $-80^{\circ}\text{C} \sim +200^{\circ}\text{C}$ (water quench)

- Döner Yüzey (SiC/Carbon/TC)
- Sabit Elemanlar (SiC)
- Elastomer (VITON/AFLAS/Kalrez)
- Diğer Parçalar (C-276/Duplex/316)
- Rotary Ring (SiC/Carbon/TC)
- Stationary Ring (SiC)
- Secondary Seal (VITON/AFLAS/Kalrez)
- Other Parts (C-276/Duplex/316)

d ₁ (mm)	d ₂	d ₃	d ₄	d ₆₈	l ₂₂	l ₃₀	l ₃₉	l ₄₂	l ₅₂	l ₉₁
30	35	67	73	73	32.5	34	54.5	35.5	20	57.5
41.3	47	85	91	89	32.5	37	60.5	35.5	23	63.5
48	54	90	96	93	34.5	40	63.5	37.5	26	66.5
55	62	100	106	104	34.5	40	63.5	37.5	26	66.5
70	78	119	125	121	40.5	40	63.5	43.5	26	66.5
76.2	85	130	136	135	47.5	41	66.5	50.5	27	69.5
86	96	138.5	144.5	141	45.5	41	66.5	48.5	27	69.5
92	102	148	154	147	45.5	41	66.5	48.5	27	69.5
112	122	172	178	186	59	42.5	75	62	28.5	78
124	134	187	193	195	59	42.5	75	62	28.5	78
140	152	205	211	215	59	42.5	75	62	28.5	78
158	170	225	231	235	60.5	46	78.5	63.5	32	81.5
165.1	178	240	246	245	60	46.5	79	63	32.5	82
194	208	266	272	280	60	46.5	79	63	32.5	82
200	215	275	281	285	67.4	49.5	82	70.4	35.5	85
220	234	288	294	295	69.3	49.5	82	72.3	35.5	85

DEMS 400-B02



Çalışma Limitleri

Basınç: $\leq 1.2\text{MPa}$
 Hız: $\leq 10\text{m/s}$
 Sıcaklık: $-20^{\circ}\text{C} \sim +90^{\circ}\text{C}$

Operating Limits

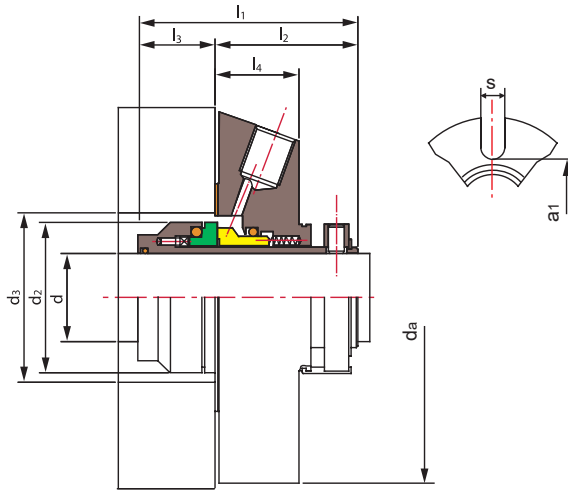
Pressure: $\leq 1.2\text{MPa}$
 Speed: $\leq 10\text{m/s}$
 Temperature: $-20^{\circ}\text{C} \sim +90^{\circ}\text{C}$

- Döner Yüzeý(SiC/Carbon/TC)
- Sabit Elemanlar (SiC/Ceramic/TC/)
- Elastomer (VITON/Encapsulated Ring/NBR /EPDM)
- Diğer Parçalar (SUS304/SUS316/Titanium/Hastelloy-C)
- Rotary Ring(SiC/Carbon/TC)
- Stationary Ring(SiC/Ceramic/TC/)
- Secondary Seal(VITON/Encapsulated Ring/ NBR/EPDM)
- Other Parts(SUS304/SUS316/Titanium/Hastelloy-C)

d (inches)	d ₂	d ₃		d ₉	d _a	l ₁	l ₂	l ₃	l ₄	T
		min	max							
1.000	1.512	1.634	2.000	2.362	4.134	2.579	1.614	0.965	0.906	1/4NPT
1.125	1.669	1.750	2.050	2.362	4.134	2.677	1.634	1.043	0.906	1/4NPT
1.250	1.772	1.890	2.250	2.559	4.331	2.736	1.654	1.083	0.906	1/4NPT
1.375	1.933	2.000	2.420	2.677	4.213	2.854	1.732	1.122	1.024	1/4NPT
1.500	2.020	2.146	2.625	2.874	4.843	2.854	1.732	1.122	1.024	1/4NPT
1.750	2.354	2.480	2.812	3.110	5.118	3.012	1.752	1.260	1.024	1/4NPT
1.875	2.433	2.559	2.940	3.228	5.118	3.071	1.772	1.299	1.024	1/4NPT
2.000	2.551	2.677	3.190	3.346	5.827	3.169	1.850	1.319	1.102	3/8NPT
2.125	2.795	2.875	3.437	3.740	5.512	3.287	1.850	1.437	1.102	3/8NPT
2.250	2.874	2.992	3.560	3.780	6.181	3.287	1.850	1.437	1.102	3/8NPT
2.375	3.012	3.110	3.590	3.937	6.181	3.366	1.850	1.516	1.102	3/8NPT
2.500	3.209	3.287	3.800	4.173	6.693	3.465	1.909	1.555	1.102	3/8NPT
2.625	3.268	3.374	3.937	4.252	6.378	3.465	1.909	1.555	1.102	3/8NPT

d (mm)	d ₂	d ₃		d ₉	d _a	l ₁	l ₂	l ₃	l ₄	T
		min	max							
25	38.4	41.5	51.0	60	105	65.5	41.0	24.5	23	1/4NPT
28	42.4	44.5	52.0	60	105	68.0	41.5	26.5	23	1/4NPT
30	42.4	45.5	56.0	63	105	68.0	41.5	26.5	23	1/4NPT
33	45.0	48.0	57.0	65	110	69.5	42.0	27.5	23	1/4NPT
35	49.1	50.8	61.5	68	107	72.5	44.0	28.5	26	1/4NPT
38	51.3	54.5	66.0	73	123	72.5	44.0	28.5	26	1/4NPT
40	54.3	57.5	68.0	75	123	75.5	44.5	31.0	26	1/4NPT
43	56.3	59.5	70.5	78	133	76.5	44.5	32.0	26	1/4NPT
45	59.8	63.0	73.0	79	130	76.5	44.5	32.0	26	1/4NPT
48	61.8	65.0	75.0	82	130	78.0	45.0	33.0	26	1/4NPT
50	64.8	68.0	78.0	85	148	80.5	47.0	33.5	28	3/8NPT
53	66.8	70.0	87.0	95	148	81.5	47.0	34.5	28	3/8NPT
55	71.0	73.0	83.0	90	148	83.5	47.0	36.5	28	3/8NPT
60	76.5	79.0	91.0	100	157	85.5	47.0	38.5	28	3/8NPT
65	83.0	85.7	98.5	108	162	88.0	48.5	39.5	28	3/8NPT
70	88.0	94.0	108.0	116	178	92.0	48.5	43.5	28	3/8NPT
75	93.4	98.4	118.0	125	190	93.5	49.0	44.5	28	3/8NPT

DEMS 400-B03



Çalışma Limitleri

Basınç: $\leq 2.5\text{MPa}$
 Hız: $\leq 16\text{m/s}$
 Sıcaklık: $-40^{\circ}\text{C} \sim +220^{\circ}\text{C}$

Operating Limits

Pressure: $\leq 2.5\text{MPa}$
 Speed: $\leq 16\text{m/s}$
 Temperature: $-40^{\circ}\text{C} \sim +220^{\circ}\text{C}$

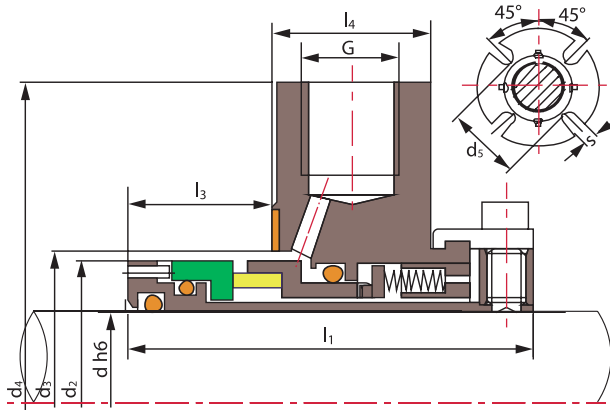
- Döner Yüzey (SiC/TC)
- Sabit Eleman (Carbon/SiC)
- Elastomer (VITON/Encapsulated Ring/PTFE/EPDM)
- Diğer Parçalar (SUS304/SUS316/Titanium/Hastelloy-C)

- Rotary Ring(Carbon)
- Stationary Ring(SiC / TC)
- Secondary Seal(VITON/Encapsulated Ring/PTFE/EPDM/Kalrez)
- Other Parts (SUS304/SUS316/Titanium/Hastelloy-C)

d (inches)	d ₂	d ₃		l ₁	l ₂	l ₃	l ₄	d _a	a ₁	s
		min	max							
1.000	1.693	1.750	2.000	2.640	1.669	0.969	1.000	4.134	2.440	0.520
1.125	1.811	1.875	2.050	2.640	1.669	0.969	1.000	4.134	2.440	0.520
1.250	1.960	2.000	2.250	2.640	1.669	0.969	1.000	4.330	2.640	0.520
1.375	2.086	2.125	2.420	2.640	1.669	0.969	1.000	4.449	2.750	0.520
1.500	2.200	2.250	2.625	2.640	1.669	0.969	1.000	4.842	2.950	0.520
1.625	2.340	2.375	2.700	2.640	1.669	0.969	1.000	4.842	3.030	0.599
1.750	2.460	2.500	2.812	2.640	1.669	0.969	1.000	5.433	3.190	0.599
1.875	2.582	2.625	2.940	2.640	1.669	0.969	1.000	5.433	3.190	0.599
2.000	2.677	2.750	3.190	2.640	1.669	0.969	1.000	5.827	3.430	0.599
2.125	2.834	2.875	3.437	2.640	1.669	0.969	1.000	5.827	3.820	0.709
2.250	2.960	3.000	3.560	2.640	1.669	0.969	1.000	6.181	3.940	0.709
2.375	3.070	3.125	3.590	2.640	1.669	0.969	1.000	6.181	4.020	0.709
2.500	3.212	3.250	3.800	2.640	1.669	0.969	1.000	6.417	4.170	0.709
2.625	3.338	3.375	3.937	2.640	1.669	0.969	1.000	6.417	4.290	0.709
2.750	3.660	3.750	4.250	2.640	1.669	0.969	1.000	7.008	4.650	0.709
2.875	3.811	3.875	4.567	3.307	2.260	1.047	1.102	7.480	5.079	0.709
3.000	3.937	4.000	4.646	3.307	2.260	1.047	1.102	7.480	5.079	0.709
3.125	4.063	4.125	4.764	3.307	2.260	1.047	1.102	7.677	5.315	0.709
3.250	4.189	4.250	4.882	3.307	2.260	1.047	1.102	7.677	5.315	0.709
3.375	4.311	4.374	5.039	3.307	2.260	1.047	1.102	7.795	5.472	0.866
3.500	4.437	4.500	5.157	3.307	2.260	1.047	1.102	7.795	5.591	0.866
3.625	4.563	4.625	5.315	3.307	2.260	1.047	1.102	8.071	5.709	0.866
3.750	4.689	4.750	5.433	3.307	2.260	1.047	1.102	8.189	5.827	0.866
4.000	4.937	5.000	5.669	3.307	2.260	1.047	1.102	8.583	6.063	0.866

d (mm)	d ₂	d ₃		l ₁	l ₂	l ₃	l ₄	d _a	a ₁	s
		min	max							
25	43.0	44.0	51.5	67	42.4	24.6	25.4	105	62	13.2
28	46.0	47.0	52.0	67	42.4	24.6	25.4	105	62	13.2
30	48.0	49.0	56.0	67	42.4	24.6	25.4	105	65	13.2
32	49.8	51.0	57.0	67	42.4	24.6	25.4	110	67	13.2
33	49.8	51.0	57.0	67	42.4	24.6	25.4	110	67	13.2
35	53.0	54.0	61.5	67	42.4	24.6	25.4	113	70	13.2
38	56.0	57.0	66.0	67	42.4	24.6	25.4	123	75	13.2
40	58.0	59.0	68.0	67	42.4	24.6	25.4	123	75	14.2
42	60.5	61.5	69.0	67	42.4	24.6	25.4	133	80	14.2
43	60.5	61.5	70.5	67	42.4	24.6	25.4	133	80	14.2
45	62.5	64.0	73.0	67	42.4	24.6	25.4	138	81	14.2
48	65.6	67.0	75.0	67	42.4	24.6	25.4	138	84	14.2
50	68.0	69.0	78.0	67	42.4	24.6	25.4	148	87	14.2
53	72.0	73.0	87.0	67	42.4	24.6	25.4	148	97	18
55	73.0	74.0	83.0	67	42.4	24.6	25.4	148	90	18
60	78.0	79.0	91.0	67	42.4	24.6	25.4	157	102	18
65	84.8	85.7	98.5	67	42.4	24.6	25.4	163	109	18
70	93.0	95.0	108.0	67	42.4	24.6	25.4	178	118	18
75	100.0	101.6	118.0	84	57.4	26.6	28.0	190	129	18
80	106.4	108.0	124.0	84	57.4	26.6	28.0	195	135	18
85	109.5	111.1	128.0	84	57.4	26.6	28.0	198	139	22
90	115.9	117.5	135.0	84	57.4	26.6	28.0	205	145	22
95	119.1	120.7	138.0	84	57.4	26.6	28.0	208	148	22
100	125.4	127.0	144.0	84	57.4	26.6	28.0	218	154	22

DEMS 400-B04



Çalışma Limitleri

Basınç: $\leq 2.5\text{MPa}$
 Hız: $\leq 16\text{m/s}$
 Sıcaklık: $-40^{\circ}\text{C} \sim +220^{\circ}\text{C}$

Operating Limits

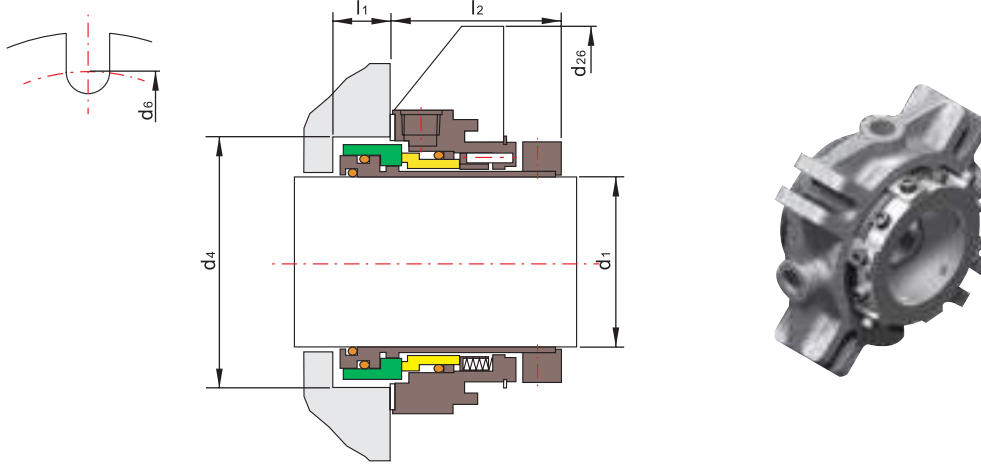
Pressure: $\leq 2.5\text{MPa}$
 Speed: $\leq 16\text{m/s}$
 Temperature: $-40^{\circ}\text{C} \sim +220^{\circ}\text{C}$

- Döner Yüzey (SiC/TC)
 - Sabit Elemanlar (SiC/TC/Carbon)
 - Elastomer (VITON/Encapsulated Ring/NBR/EPDM)
 - Diğer Parçalar (SUS304/SUS316/Titanium/Hastelloy-C)
- Rotary Ring(SiC/TC)
 - Stationary Ring (SiC/TC/Carbon)
 - Secondary Seal (VITON/Encapsulated Ring/NBR/EPDM)
 - Other Parts (SUS304/SUS316/Titanium/Hastelloy-C)

126

Seal size d(mm)	d ₂	d ₃		d ₄	l ₁	l ₃	l ₄	d ₅	S	G (Inches)
		min	max							
25	43.0	44.0	51.0	105	67	24.6	25.4	62	14	1/4"
28	46.0	47.0	52.0	105	67	24.6	25.4	62	14	1/4"
30	48.0	49.0	56.0	105	67	24.6	25.4	65	14	1/4"
33	50.0	51.0	57.0	110	67	24.6	25.4	67	14	1/4"
35	53.0	54.0	61.0	113	67	24.6	25.4	70	14	1/4"
38	56.0	57.0	66.0	123	67	24.6	25.4	75	14	3/8"
40	58.0	59.0	68.0	123	67	24.6	25.4	75	16	3/8"
43	60.0	61.5	70.5	133	67	24.6	25.4	80	16	3/8"
45	62.5	64.0	73.0	138	67	24.6	25.4	81	16	3/8"
48	65.5	67.0	75.0	138	67	24.6	25.4	84	16	3/8"
50	68.0	69.0	78.0	148	67	24.6	25.4	87	16	3/8"
55	73.0	74.0	83.0	148	67	24.6	25.4	90	18	3/8"
60	78.0	79.0	91.0	157	67	24.6	25.4	102	18	3/8"
65	83.0	84.5	98.5	163	67	24.6	25.4	109	18	3/8"
70	93.0	95.0	108.0	178	67	24.6	25.4	118	18	3/8"
75	100.0	101.6	118.0	190	84	26.6	28.0	129	18	3/8"
80	106.4	108.0	124.0	195	84	26.6	28.0	135	18	3/8"
85	109.5	111.1	128.0	198	84	26.6	28.0	139	22	3/8"
90	115.9	117.5	135.0	205	84	26.6	28.0	145	22	3/8"
95	119.1	120.7	138.0	208	84	26.6	28.0	148	22	3/8"
100	125.4	127.0	144.0	218	84	26.6	28.0	154	22	3/8"

DEMS 400-C01



Çalışma Limitleri

Basınç: $\leq 4\text{MPa}$

Hız: $\leq 20\text{m/s}$

Sıcaklık: $-40^{\circ}\text{C} \sim +204^{\circ}\text{C}$

Operating Limits

Pressure: $\leq 4\text{MPa}$

Speed: $\leq 20\text{m/s}$

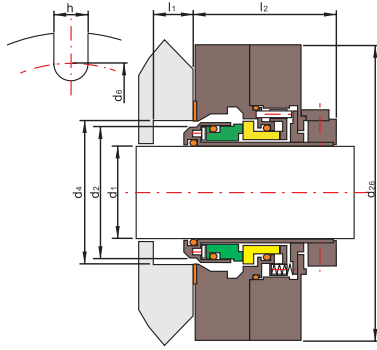
Temperature: $-40^{\circ}\text{C} \sim +204^{\circ}\text{C}$

- Döner Yüzey (SiC/TC)
- Sabit Elemanlar (SiC/Carbon/TC)
- Elastomer (VITON/AFLAS/Kalrez)
- Diğer Parçalar (C-276/Duplex/316)
- Rotary Ring (SiC/TC)
- Stationary Ring (SiC/Carbon/TC)
- Secondary Seal (VITON/AFLAS/Kalrez)
- Other Parts (C-276/Duplex/316)

d ₁ (inches)	d ₄		d ₆ min				d ₂₆	l ₁ min	l ₂
	min	max	3/8"	1/2"	5/8"	3/4"			
1.000	1.750	2.000	2.880	3.010	3.130	-	4.650	0.630	1.890
1.125	1.880	2.030	2.920	3.050	3.170	-	4.690	0.630	1.890
1.125***	1.880	2.030	2.920	3.050	3.170	-	4.690	0.630	1.890
1.250	2.000	2.260	3.130	3.260	3.380	-	4.900	0.630	1.890
1.375	2.130	2.420	3.270	3.400	3.520	-	5.040	0.630	1.890
1.375***	2.000	2.420	3.270	3.400	3.520	-	5.040	0.630	1.890
1.500	2.250	2.620	3.460	3.590	3.710	-	5.230	0.630	1.890
1.625	2.380	2.680	3.520	3.650	3.770	-	5.290	0.630	1.890
1.750	2.500	2.800	3.640	3.770	3.890	-	5.410	0.630	1.890
1.875	2.630	2.930	3.760	3.890	4.010	-	5.530	0.630	1.890
2.000	2.750	3.180	3.970	4.100	4.220	-	5.740	0.630	1.890
2.125	2.880	3.430	4.270	4.400	4.530	-	6.040	0.630	1.890
2.250	3.000	3.550	4.380	4.510	4.630	-	6.140	0.630	1.890
2.375	3.130	3.590	4.520	4.650	4.770	-	6.290	0.630	1.890
2.500	3.250	3.800	4.650	4.780	4.900	-	6.410	0.630	1.890
2.625	3.630	4.000	-	5.350	5.480	5.600	7.630	0.880	2.500
2.750	3.750	4.130	-	5.480	5.600	5.730	7.760	0.880	2.500
2.875	3.880	4.250	-	5.600	5.730	5.850	7.880	0.880	2.500
3.000	4.000	4.440	-	5.730	5.850	5.980	8.010	0.880	2.500
3.125	4.130	4.550	-	5.850	5.980	6.100	8.130	0.880	2.500
3.250	4.250	4.690	-	5.980	6.100	6.230	8.260	0.880	2.500
3.375	4.380	4.800	-	6.100	6.230	6.350	8.380	0.880	2.500
3.500	4.500	4.940	-	6.230	6.350	6.480	8.510	0.880	2.500
3.625	4.630	5.050	-	6.350	6.480	6.600	8.630	0.880	2.500
3.750	4.750	5.140	-	6.480	6.600	6.730	8.760	0.880	2.500
3.875	4.880	5.260	-	6.600	6.730	6.850	8.880	0.880	2.500
4.000	5.000	5.440	-	6.730	6.850	6.980	9.010	0.880	2.500
4.125	5.130	5.550	-	6.850	6.980	7.100	9.130	0.880	2.500
4.250	5.250	5.690	-	6.980	7.020	7.140	9.180	0.880	2.500
4.375	5.380	5.810	-	7.020	7.140	7.270	9.300	0.880	2.500
4.500	5.500	5.940	-	7.140	7.270	7.390	9.430	0.880	2.500
4.625	5.630	6.060	-	7.270	7.390	7.520	9.560	0.880	2.500
4.750	5.750	6.220	-	7.470	7.600	7.720	9.760	0.880	2.500

d ₁ (mm)	d ₄		d ₆ min				d ₂₆	l ₁ min	l ₂
	min	max	3/8"	1/2"	5/8"	3/4"			
25	44	51	70	72	74	-	118	16	48
28	47	52	70	72	74	-	118	16	48
30	49	57	76	78	80	-	124	16	48
32	51	58	77	79	81	-	124	16	48
33	52	59	76	78	80	-	124	16	48
35	54	62	80	82	84	-	128	16	48
38	57	67	85	87	89	-	133	16	48
40	59	68	86	88	90	-	134	16	48
43	62	69	86	88	90	-	134	16	48
45	64	73	92	94	96	-	140	16	48
48	67	74	91	93	95	-	139	16	48
50	69	78	97	99	101	-	145	16	48
55	74	83	102	104	106	-	150	16	48
60	79	91	112	114	116	-	160	16	48
65	92	102	-	132	134	138	194	22	64
70	95	105	-	135	137	141	197	22	64
75	100	113	-	141	143	147	203	22	64
80	105	116	-	144	146	150	207	22	64
85	110	122	-	151	153	157	213	22	64
90	115	125	-	154	156	160	216	22	64
95	120	131	-	160	162	166	222	22	64
100	127	138	-	167	169	173	229	22	64
110	136	148	-	174	176	180	236	22	64
120	145	158	-	186	188	192	248	22	64

DEMS 400-C03



Çalışma Limitleri

Basınç: ≤4MPa
Hız: ≤20m/s
Sıcaklık: -40°C~+204°C

Operating Limits

Pressure: ≤4MPa
Speed: ≤20m/s
Temperature: -40°C~+204°C

- Döner Yüzey (SiC/TC)
- Sabit Elemanlar (SiC/Carbon/TC)
- Elastomer (VITON/AFLAS/Kalrez)
- Diğer Parçalar(C-276/Duplex/316)
- Rotary Ring (SiC/TC)
- Stationary Ring (SiC/Carbon/TC)
- Secondary Seal (VITON/AFLAS/Kalrez)
- Other Parts (C-276/Duplex/316)

128

d ₁ (inches)	d ₂		d ₄	d ₆	d ₂₆	l ₁	l ₂			h
	min	max					3/8"	1/2"	5/8"	
1.750	2.500	2.810	0.690	0.570	5.490	1.910	3.620	3.75*	-	1.270
1.875	2.630	2.940	0.690	0.570	5.490	1.910	3.750	3.87*	-	1.270
2.000	2.750	3.190	0.690	0.570	5.490	1.910	4.000	4.130	-	1.270
2.125	2.880	3.440	0.690	0.690	5.990	1.910	4.250	4.380	4.500	1.270
2.250	3.000	3.560	0.690	0.690	5.990	1.910	4.370	4.500	4.620	1.270
2.375	3.130	3.590	0.690	0.690	5.990	1.910	4.430	4.560	4.680	1.270
2.500	3.250	3.810	0.690	0.690	6.490	1.910	4.620	4.750	4.870	1.270
2.625	3.630	4.040	0.880	0.690	6.450	2.500	5.020	5.150	-	1.770
2.750	3.750	4.380	0.880	0.690	7.700	2.500	5.420	5.550	-	1.770
2.875	3.880	4.500	0.880	0.690	7.830	2.500	5.500	5.620	-	1.770
3.000	4.000	4.690	0.880	0.690	7.940	2.500	5.650	5.770	-	1.770
3.125	4.130	4.810	0.880	0.690	7.990	2.500	5.800	5.920	-	1.770
3.250	4.250	4.940	0.880	0.690	8.190	2.500	5.930	6.050	-	1.770
3.375	4.380	5.060	0.880	0.810	8.300	2.500	6.020	6.140	6.270	1.770
3.500	4.500	5.190	0.880	0.810	8.440	2.500	6.180	6.310	6.430	1.770
3.625	4.630	5.310	0.880	0.810	8.490	2.500	6.310	6.440	6.560	1.770
3.750	4.750	5.390	0.880	0.810	8.710	2.500	6.380	6.510	6.630	1.770
3.875	4.880	5.510	0.880	0.810	8.840	2.500	6.520	6.640	6.770	1.770
4.000	5.000	5.690	0.880	0.810	8.960	2.500	6.660	6.780	6.910	1.770
4.125	5.130	5.810	0.880	0.810	8.990	2.500	6.790	6.900	7.030	1.770
4.250	5.250	5.940	0.880	0.810	8.990	2.500	6.910	7.040	7.160	1.770
4.375	5.380	6.060	0.880	0.810	9.330	2.500	7.030	7.150	7.280	1.770
4.500	5.500	6.190	0.880	0.810	9.490	2.500	7.180	7.300	7.430	1.770
4.625	5.630	6.310	0.880	0.810	9.490	2.500	7.280	7.400	7.530	1.770
4.750	5.750	6.470	0.880	0.810	10.490	2.500	7.400	7.530	7.650	1.770

d ₁ (mm)	d ₂		d ₄	d ₆	d ₂₆	l ₁			l ₂	h
	min	max				3/8"	1/2"	5/8"		
45	64	73	18	13	139	49	95	97	-	43
48	67	73	18	13	139	49	95*	97*	-	43
50	69	78	18	13	139	49	100	102	-	43
53	73	87	18	17	152	49	109	111	115	43
55	74	83	18	17	152	49	105	107	111	43
58	80	91	18	17	152	49	114	116	120	43
60	80	91	18	17	152	49	114	116	120	43
65	92	103	22	17	164	64	127	131	-	45
70	96	111	22	17	196	64	137	141	-	45
75	102	119	22	17	202	64	143	147	-	45
80	106	122	22	17	203	64	150	154	-	45
85	111	128	22	21	211	64	152	156	161	45
90	116	132	22	21	214	64	160	164	168	45
95	121	137	22	21	221	64	161	165	170	45
100	127	144	22	21	228	64	168	172	177	45
110	137	154	22	21	237	64	178	182	186	45
120	146	164	22	21	266	64	187	191	195	45

DEMS 400 EKO

Çalışma Limitleri

Basınç: $\leq 2.5\text{MPa}$

Hız: $\leq 16\text{m/s}$

Sıcaklık: $\leq +200^\circ\text{C}$

Operating Limits

Pressure: $\leq 2.5\text{MPa}$

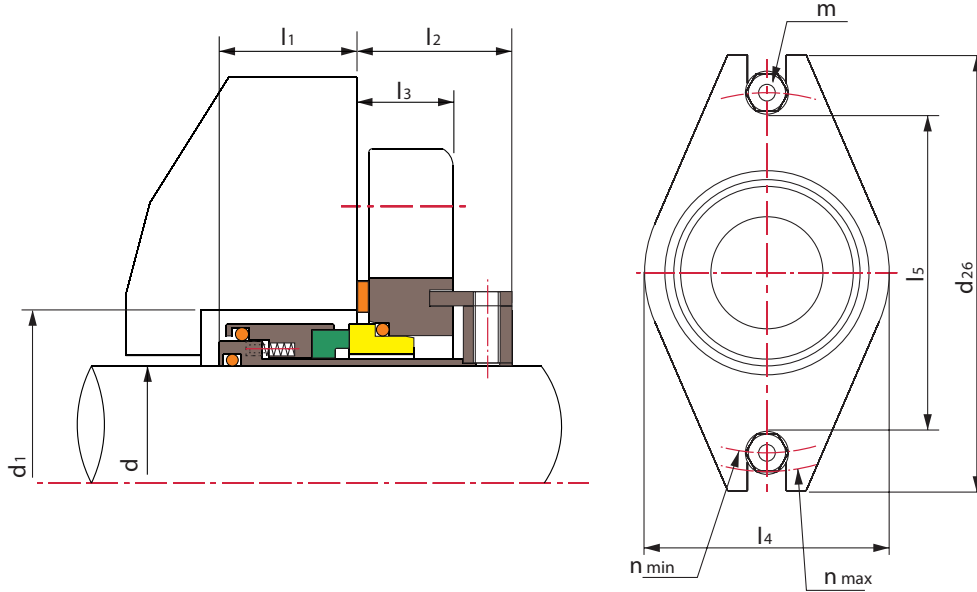
Speed: $\leq 16\text{m/ss}$

Temperature: $\leq +200^\circ\text{C}$



d (inches)	d ₂₆	l ₅	l ₃	l ₄	d ₁		n		m	l ₁	l ₂
					min	max	min	max			
1.000	4.000	2.187	0.812	2.208	1.625	1.875	2.750	3.500	1/2	1.125	1.250
1.125	4.125	2.312	0.812	2.333	1.750	2.000	2.875	3.625	1/2	1.125	1.250
1.250	4.250	2.437	0.812	2.458	1.875	2.125	3.000	3.750	1/2	1.125	1.250
1.375	4.250	2.625	0.812	2.645	2.000	2.250	3.187	3.750	1/2	1.125	1.250
1.500	4.500	2.812	0.875	2.833	2.250	2.500	3.375	4.000	1/2	1.125	1.312
1.625	4.750	2.937	0.875	2.958	2.375	2.625	3.500	4.250	1/2	1.125	1.312
1.750	5.000	3.062	0.937	3.083	2.500	2.750	3.625	4.500	1/2	1.187	1.375
1.875	5.250	3.187	0.937	3.207	2.625	2.875	3.750	4.750	1/2	1.187	1.375
2.000	5.500	3.312	1.000	3.333	2.750	3.000	4.000	4.875	5/8	1.187	1.437
2.125	5.750	3.437	1.000	3.458	2.875	3.125	4.125	5.125	5/8	1.187	1.437
2.250	6.500	3.750	1.000	3.895	3.000	3.375	4.562	5.750	3/4	1.187	1.437
2.375	6.500	3.750	1.000	3.895	3.125	3.375	4.562	5.750	3/4	1.187	1.437
2.500	7.000	4.375	1.000	4.770	3.375	4.000	5.187	6.250	3/4	1.125	1.625
2.625	7.000	4.375	1.000	4.770	3.500	4.000	5.187	6.250	3/4	1.125	1.625
2.750	7.000	4.375	1.000	4.770	3.625	4.000	5.187	6.250	3/4	1.125	1.625
2.875	7.500	4.937	1.250	5.145	3.750	4.500	5.750	6.750	3/4	1.187	2.000
3.000	7.500	4.937	1.250	5.145	3.875	4.500	5.750	6.750	3/4	1.187	2.000
3.125	7.500	4.937	1.250	5.145	4.000	4.500	5.750	6.750	3/4	1.187	2.000
3.250	8.000	5.312	1.250	5.520	4.125	4.875	6.125	7.250	3/4	1.187	2.000
3.375	8.000	5.312	1.250	5.520	4.250	4.875	6.125	7.250	3/4	1.187	2.000
3.500	8.000	5.312	1.250	5.520	4.375	4.875	6.125	7.250	3/4	1.187	2.000
3.625	8.500	5.687	1.250	5.895	4.500	5.250	6.500	7.750	3/4	1.187	2.000
3.750	8.500	5.687	1.250	5.895	4.625	5.250	6.500	7.750	3/4	1.187	2.000
3.875	8.500	5.687	1.250	5.895	4.750	5.250	6.500	7.750	3/4	1.187	2.000
4.000	9.000	6.062	1.250	6.145	4.875	5.500	6.875	8.250	3/4	1.187	2.000

DEMS 400 EKO

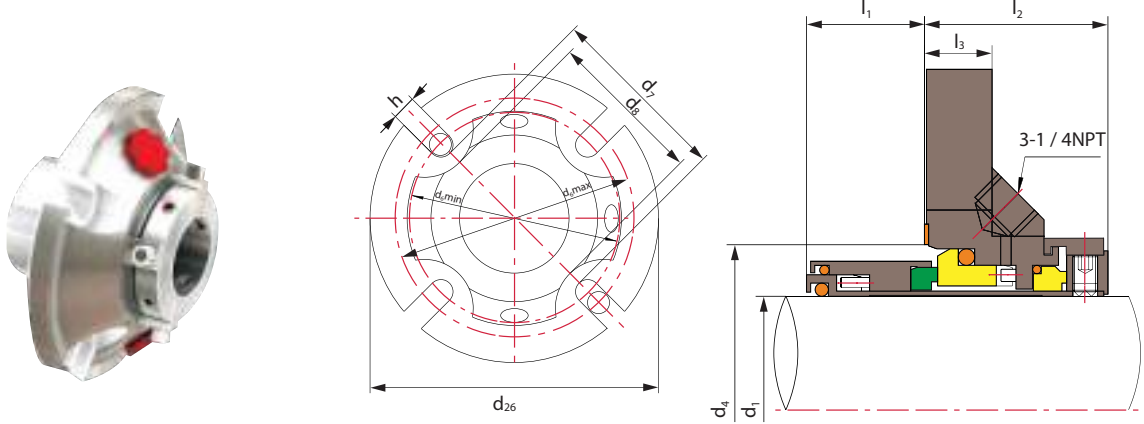


- Döner Yüzey (SiC/Carbon/TC)
- Sabit Elemanlar (SiC/TC)
- Elastomer (VITON/Encapsulated Ring)
- Diğer Parçalar (SUS304/SUS316/Titanium/Hastelloy-C)
- Rotary Ring(SiC/Carbon/TC)
- Stationary Ring(SiC/TC)
- Secondary Seal(VITON/Encapsulated Ring)
- Other Parts(SUS304/SUS316/Titanium/Hastelloy-C)

130

d (mm)	d ₂₆	l ₅	l ₃	l ₄	d ₁		n		m	l ₁	l ₂
					min	max	min	max			
24	101.6	55.6	20.7	56.1	40.0	48.0	69.9	88.9	12	28.6	31.8
25	101.6	55.6	20.7	56.1	41.0	48.0	69.9	88.9	12	28.6	31.8
28	104.8	58.8	20.7	59.3	44.0	50.0	73.1	92.1	12	28.6	31.8
30	108.0	61.9	20.7	62.4	46.0	54.0	76.2	95.3	12	28.6	31.8
32	108.0	61.9	20.7	62.4	48.0	54.0	76.2	95.3	12	28.6	31.8
33	108.0	61.9	20.7	62.4	49.0	55.0	76.2	95.3	12	28.6	31.8
35	108.0	66.7	20.7	67.2	51.0	59.0	81.0	95.3	12	28.6	31.8
38	114.3	71.5	22.3	72.0	57.2	62.0	85.8	101.6	12	28.6	33.4
40	114.3	71.5	22.3	72.0	58.0	64.0	85.8	101.6	12	28.6	33.4
43	120.7	74.6	22.3	75.1	61.0	67.0	88.9	108.0	12	28.6	33.4
45	127.0	77.8	23.8	78.3	63.5	69.0	92.1	114.3	12	30.2	35.0
48	133.4	81.0	23.8	81.5	66.7	72.0	95.3	120.7	12	30.2	35.0
50	133.4	81.0	23.8	81.5	68.0	74.0	95.3	120.7	12	30.2	35.0
53	139.7	84.2	25.4	84.7	71.0	77.0	101.6	123.9	16	30.2	36.5
55	146.1	87.3	25.4	87.8	74.0	79.0	104.8	130.2	16	30.2	36.5
58	165.1	95.3	25.4	98.9	79.4	85.7	115.9	146.0	20	30.2	36.5
60	165.1	95.3	25.4	98.9	79.4	85.7	115.9	146.0	20	30.2	36.5
63	177.8	111.2	25.4	121.2	85.8	101.6	131.8	158.7	20	28.6	41.2
65	177.8	111.2	25.4	121.2	88.9	101.6	131.8	158.7	20	28.6	41.2
68	177.8	111.2	25.4	121.2	92.1	101.6	131.8	158.7	20	28.6	41.2
70	177.8	111.2	25.4	121.2	92.1	101.6	131.8	158.7	20	28.6	41.2
75	190.5	125.4	31.7	130.7	98.5	114.3	146.1	171.4	20	30.2	50.8
80	190.5	125.4	31.7	130.7	101.6	114.3	146.1	171.4	20	30.2	50.8
85	203.2	135.0	31.7	140.2	108.0	123.8	155.6	184.1	20	30.2	50.8
90	215.9	144.5	31.7	149.7	114.3	133.3	165.1	196.8	20	30.2	50.8
95	215.9	144.5	31.7	149.7	117.5	133.3	165.1	196.8	20	30.2	50.8
100	228.6	154.0	31.7	156.1	123.9	139.7	174.7	209.5	20	30.2	50.8

DEMS 400-A03



Çalışma Limitleri

Basınç: $\leq 2.3\text{MPa}$
 Hız: $\leq 16\text{m/s}$
 Sıcaklık: $-30^{\circ}\text{C} \sim +200^{\circ}\text{C}$

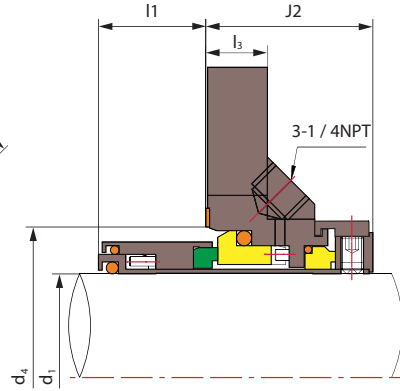
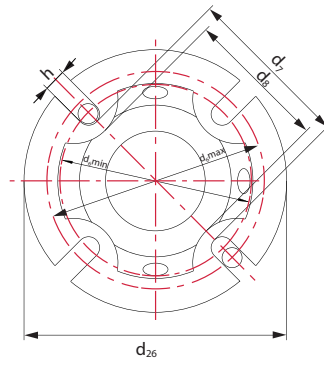
Operating Limits

Pressure: $\leq 2.3\text{MPa}$
 Speed: $\leq 16\text{m/s}$
 Temperature: $-30^{\circ}\text{C} \sim +200^{\circ}\text{C}$

- Döner Yüzey (Carbon/SiC/TC)
 - Sabit Elemaar (SiC/TC)
 - Elastomer (VITON/EPDM/Kalrez)
 - Diğer Parçalar (SUS304/SUS316)
- Rotary Ring (Carbon/SiC/TC)
 - Stationary Ring (SiC/TC)
 - Secondary Seal (VITON/EPDM/Kalrez)
 - Other Parts (SUS304/SUS316)

d ₁ (inches)	d ₄		d ₆		d ₇	d ₈	d ₂₆	l ₁	l ₂	l ₃	h max
	min	max	min	max							
1.000	1.625	1.937	2.687	3.562	2.125	1.937	4.125	1.125	1.590	0.519	1/2
1.125	1.750	2.062	2.812	3.687	2.250	2.063	4.250	1.125	1.590	0.519	1/2
1.250	1.875	2.187	2.937	3.812	2.375	2.187	4.375	1.125	1.590	0.519	1/2
1.375	2.000	2.250	3.062	3.812	2.500	2.312	4.375	1.125	1.590	0.519	1/2
1.500	2.250	2.375	3.375	4.437	2.812	2.562	5.000	1.125	1.752	0.644	1/2
1.625	2.375	2.500	3.375	4.437	2.812	2.562	5.000	1.125	1.752	0.644	1/2
1.750	2.500	2.750	3.750	4.937	3.187	2.812	5.500	1.125	1.752	0.644	1/2
1.875	2.625	2.875	3.750	4.937	3.187	2.812	5.500	1.125	1.752	0.644	1/2
2.000	2.750	3.000	4.125	5.437	3.562	3.063	6.000	1.125	1.752	0.644	1/2
2.000-AC	2.750	3.000	4.000	4.750	3.450	3.035	5.250	1.125	1.752	0.644	1/2
2.125	2.875	3.125	4.125	5.437	3.562	3.063	6.000	1.125	1.752	0.644	1/2
2.250	3.000	3.250	4.500	5.812	3.812	3.312	6.500	1.125	1.752	0.644	5/8
2.375	3.125	3.375	4.500	5.812	3.812	3.312	6.500	1.125	1.752	0.644	5/8
2.500	3.375	3.625	5.000	6.312	4.312	3.812	7.000	1.250	1.877	0.769	5/8
2.625	3.500	3.750	5.000	6.312	4.312	3.812	7.000	1.250	1.877	0.769	5/8
2.750	3.625	3.875	5.000	6.312	4.312	3.812	7.000	1.250	1.877	0.769	5/8
2.875	3.750	4.125	5.625	6.812	4.937	4.250	7.500	1.250	1.877	0.769	5/8
3.000	3.875	4.250	5.625	6.812	4.937	4.250	7.500	1.250	1.877	0.769	5/8
3.125	4.000	4.375	5.625	6.812	4.937	4.250	7.500	1.250	1.877	0.769	5/8
3.250	4.125	4.500	6.125	7.187	5.312	4.625	8.000	1.250	1.877	0.769	3/4
3.375	4.250	4.625	6.125	7.187	5.312	4.625	8.000	1.250	1.877	0.769	3/4
3.500	4.375	4.750	6.125	7.187	5.312	4.625	8.000	1.250	1.877	0.769	3/4
3.625	4.500	5.000	6.750	7.687	5.937	5.000	8.500	1.250	1.877	0.769	3/4
3.750	4.625	5.125	6.750	7.687	5.937	5.000	8.500	1.250	1.877	0.769	3/4
3.875	4.750	5.250	6.750	7.687	5.937	5.000	8.500	1.250	1.877	0.769	3/4
4.000	4.875	5.500	7.437	8.187	6.625	5.375	9.000	1.250	1.877	0.769	3/4
4.125	5.125	5.875	7.437	8.187	6.625	5.375	9.000	1.250	1.877	0.769	3/4
4.250	5.125	5.875	7.437	8.187	6.625	5.375	9.000	1.250	1.877	0.769	3/4
4.375	5.375	6.250	7.812	8.687	7.000	5.750	9.500	1.250	1.877	0.769	3/4
4.500	5.375	6.250	7.812	8.687	7.000	5.750	9.500	1.250	1.877	0.769	3/4
4.625	5.625	6.625	8.312	9.062	7.345	6.125	10.000	1.250	1.877	0.769	7/8
4.750	5.625	6.625	8.312	9.062	7.345	6.125	10.000	1.250	1.877	0.769	7/8
4.875	5.875	6.625	8.312	9.062	7.345	6.125	10.000	1.250	1.877	0.769	7/8
5.000	5.875	6.625	8.312	9.062	7.345	6.125	10.000	1.250	1.877	0.769	7/8

DEMS 400-A03



Çalışma Limitleri

Basınç: $\leq 2.3\text{MPa}$
 Hız: $\leq 16\text{m/s}$
 Sıcaklık: $-30^{\circ}\text{C} \sim +200^{\circ}\text{C}$

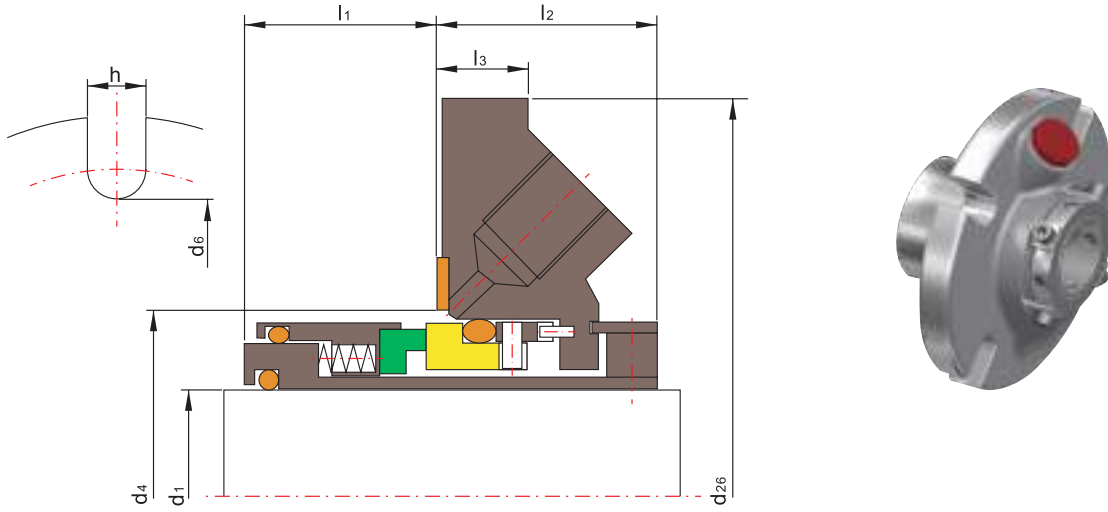
Operating Limits

Pressure: $\leq 2.3\text{MPa}$
 Speed: $\leq 16\text{m/s}$
 Temperature: $-30^{\circ}\text{C} \sim +200^{\circ}\text{C}$

- Döner Yüzey (Carbon/SiC/TC)
- Sabit Elemaar (SiC/TC)
- Elastomer (VITON/EPDM/Kalrez)
- Diğer Parçalar (SUS304/SUS316)
- Rotary Ring (Carbon/SiC/TC)
- Stationary Ring (SiC/TC)
- Secondary Seal (VITON/EPDM/Kalrez)
- Other Parts (SUS304/SUS316)

d ₁ (mm)	d ₄		d ₆		d ₇	d ₈	d ₂₆	l ₁	l ₂	l ₃	h max
	min	max	min	max							
24	40.0	46.0	67.0	90.5	54.0	49.2	104.8	28.6	40.5	13.2	12
25	41.0	49.0	67.0	90.5	54.0	49.2	104.8	28.6	40.5	13.2	12
28	44.0	52.3	70.3	93.6	57.2	52.4	108.0	28.6	40.5	13.2	12
30	46.0	55.5	73.5	96.8	60.4	55.6	111.0	28.6	40.5	13.2	12
32	48.0	55.5	73.5	96.8	60.4	55.6	111.0	28.6	40.5	13.2	12
33	49.0	55.5	73.5	96.8	60.4	55.6	111.0	28.6	40.5	13.2	12
35	51.0	57.5	76.6	96.8	63.5	58.8	111.0	28.6	40.5	13.2	12
38	57.2	60.4	85.7	114.3	71.5	65.0	127.0	28.6	44.5	16.4	12
40	58.0	60.4	85.7	114.3	71.5	65.0	127.0	28.6	44.5	16.4	12
43	61.0	69.9	95.3	127.0	81.0	71.4	139.7	28.6	44.5	16.4	12
45	63.5	69.9	95.3	127.0	81.0	71.4	139.7	28.6	44.5	16.4	12
48	66.7	73.0	95.3	127.0	81.0	71.4	139.7	28.6	44.5	16.4	12
50	68.0	76.2	104.8	139.7	90.5	77.8	152.4	28.6	44.5	16.4	12
53	71.0	76.2	104.8	139.7	90.5	77.8	152.4	28.6	44.5	16.4	12
55	74.0	82.5	114.3	149.2	96.8	84.1	165.1	28.6	44.5	16.4	16
58	76.2	82.6	114.3	149.2	96.8	84.1	165.1	28.6	44.5	16.4	16
60	79.4	85.7	114.3	149.2	96.8	84.1	165.1	28.6	44.5	16.4	16
63	85.8	92.1	127.0	160.3	109.5	96.8	177.8	31.8	47.7	19.6	16
65	88.9	95.3	127.0	160.3	109.5	96.8	177.8	31.8	47.7	19.6	16
68	92.1	98.4	127.0	160.3	109.5	96.8	177.8	31.8	47.7	19.6	16
70	92.1	98.4	127.0	160.3	109.5	96.8	177.8	31.8	47.7	19.6	16
75	98.5	108.0	142.9	173.0	125.4	108.0	190.5	31.8	47.7	19.6	16
80	101.6	111.1	142.9	173.0	125.4	108.0	190.5	31.8	47.7	19.6	16
85	108.0	117.5	155.6	182.5	135.0	117.5	203.2	31.8	47.7	19.6	20
90	114.3	127.0	171.5	195.2	150.8	127.0	215.9	31.8	47.7	19.6	20
95	117.5	130.2	171.5	195.2	150.8	127.0	215.9	31.8	47.7	19.6	20
100	123.9	139.7	188.9	207.9	168.3	136.5	228.6	31.8	47.7	19.6	20
105	130.1	149.2	189.0	208.0	168.3	136.5	228.6	31.8	47.7	19.6	20
110	136.5	158.8	198.4	220.6	177.8	146.1	241.3	31.8	47.7	19.6	20
115	142.9	168.3	211.1	230.2	186.6	155.6	254.0	31.8	47.7	19.6	22
120	142.9	168.3	211.1	230.2	186.6	155.6	254.0	31.8	47.7	19.6	22
125	149.2	168.3	211.1	230.2	186.6	155.6	254.0	31.8	47.7	19.6	22

DEMS 400-A04



Çalışma Limitleri

Basınç: ≤ 2.3 MPa
 Hız: ≤ 23 m/s
 Sıcaklık: $-30^{\circ}\text{C} \sim +200^{\circ}\text{C}$

Operating Limits

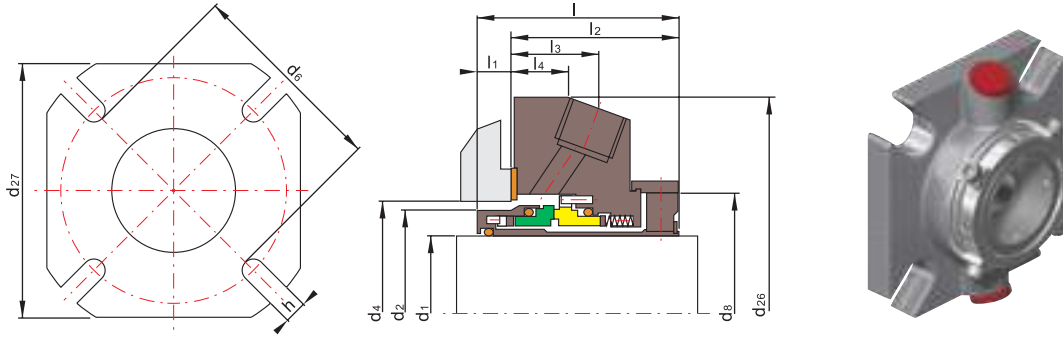
Pressure: ≤ 2.3 MPa
 Speed: ≤ 23 m/s
 Temperature: $-30^{\circ}\text{C} \sim +200^{\circ}\text{C}$

- Döner Yüzey (SiC/TC)
 - Sabit Elemanlar (SiC/Carbon/TC)
 - Elastomer (VITON/AFLAS/Kalrez)
 - Diğer Parçalar (C-276/Duplex/316)
- Rotary Ring (SiC/TC)
 - Stationary Ring (SiC/Carbon/TC)
 - Secondary Seal (VITON/AFLAS/Kalrez)
 - Other Parts (C-276/Duplex/316)

d ₁ (mm)	d ₄		d ₆	d ₂₆	l ₁	l ₂	l ₃	h max
	min	max						
1.000	1.625	1.937	2.187	4.125	1.055	1.354	0.492	0.562
1.125	1.75	2.062	2.312	4.250	1.055	1.354	0.492	0.562
1.250	1.875	2.187	2.437	4.375	1.055	1.354	0.492	0.562
1.375	2.000	2.312	2.625	4.375	1.055	1.354	0.492	0.562
1.500	2.250	2.500	2.875	5.000	1.090	1.393	0.644	0.562
1.625	2.375	2.500	2.875	5.000	1.090	1.393	0.644	0.562
1.750	2.500	2.625	3.000	5.250	1.090	1.393	0.644	0.562
1.875	2.625	3.000	3.312	5.500	1.090	1.393	0.644	0.562
2.000	2.750	3.000	3.312	5.500	1.150	1.413	0.644	0.562
2.125	2.875	3.312	3.687	5.750	1.150	1.413	0.644	0.687
2.250	3.000	3.312	3.687	5.750	1.150	1.413	0.644	0.687
2.375	3.125	3.562	3.937	6.000	1.150	1.413	0.644	0.687
2.500	3.375	3.687	4.187	6.250	1.199	1.413	0.644	0.687
2.625	3.500	3.750	4.187	6.250	1.199	1.413	0.644	0.687
2.750	3.625	3.875	4.187	6.250	1.199	1.413	0.644	0.687

d ₁ (inches)	d ₄		d ₆	d ₂₆	l ₁	l ₂	l ₃	h max
	min	max						
24	40.0	46.0	52.4	101.6	26.8	34.4	12.5	14.3
25	41.0	49.2	55.6	104.8	26.8	34.4	12.5	14.3
28	44.0	52.4	58.7	108.0	26.8	34.4	12.5	14.3
30	46.0	55.6	61.9	111.0	26.8	34.4	12.5	14.3
32	48.0	55.6	61.9	111.0	26.8	34.4	12.5	14.3
33	49.0	55.6	61.9	111.0	26.8	34.4	12.5	14.3
35	50.8	58.7	66.7	111.0	26.8	34.4	12.5	14.3
38	57.2	63.5	73.0	127.0	27.7	35.4	16.4	14.3
40	57.2	63.5	73.0	127.0	27.7	35.4	16.4	14.3
43	60.3	63.5	73.0	127.0	27.7	35.4	16.4	14.3
45	63.5	66.7	76.2	133.4	27.7	35.4	16.4	14.3
48	66.7	76.2	84.1	139.7	27.7	35.4	16.4	14.3
50	66.7	76.2	84.1	139.7	27.7	35.4	16.4	14.3
53	69.9	76.2	84.1	139.7	29.2	35.9	16.4	14.3
55	73.0	84.1	93.7	146.0	29.2	35.9	16.4	17.5
58	76.2	84.1	93.7	146.0	29.2	35.9	16.4	17.5
60	79.4	90.5	100	152.4	29.2	35.9	16.4	17.5
63	85.7	93.7	106.4	158.8	30.5	35.9	16.4	17.5
65	88.9	95.3	106.4	158.8	30.5	35.9	16.4	17.5
70	92.1	98.4	106.4	158.8	30.5	35.9	16.4	17.5

DEMS 400-A05



Çalışma Limitleri

Basınç: ≤ 2.3 MPa
 Hız: ≤ 23 m/s
 Sıcaklık: $-30^{\circ}\text{C} \sim +200^{\circ}\text{C}$

Operating Limits

Pressure: ≤ 2.3 MPa
 Speed: ≤ 23 m/s
 Temperature: $-30^{\circ}\text{C} \sim +200^{\circ}\text{C}$

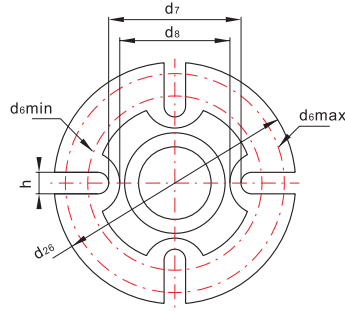
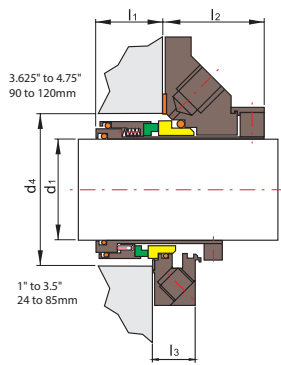
- Döner Yüzey (SiC/TC)
 - Sabit Elemanlar (SiC/Carbon/TC)
 - Elastomer (VITON/AFLAS/Kalrez)
 - Diğer Parçalar (C-276/Duplex/316)
- Rotary Ring (SiC/TC)
 - Stationary Ring (SiC/Carbon/TC)
 - Secondary Seal (VITON/AFLAS/Kalrez)
 - Other Parts (C-276/Duplex/316)

134

Seal Size (mm)	d ₁	d ₂	d ₄		d ₆	d ₈	d ₂₆	d ₂₇	l	l ₁	l ₂	l ₃	l ₄	h
			min	max										
24	24	38.0	40.0	48.0	61.0	51.0	105.0	99.0	55.7	10	45.7	20.5	11.9	14.0
25	25	39.0	41.0	51.0	61.0	51.0	105.0	101.6	55.7	10	45.7	20.5	11.9	14.0
28	28	42.6	44.0	54.0	65.0	55.5	111.0	99.0	55.7	10	45.7	20.3	11.9	14.0
30	30	44.1	46.0	54.0	64.6	56.4	105.0	97.8	55.7	10	45.7	20.3	11.9	14.0
32	32	47.1	49.0	57.0	66.5	59.5	105.0	99.0	55.7	10	45.7	21.2	14.0	14.0
33	33	47.1	49.0	57.0	66.5	59.5	105.0	99.0	55.7	10	45.7	21.2	14.0	14.0
35	35	49.0	51.0	59.0	68.5	61.5	111.0	104.1	55.7	10	45.7	21.5	13.2	14.0
38	38	52.9	57.0	70.0	80.7	70.7	135.0	114.3	57.6	10	47.6	24.6	16.0	14.0
40	40	54.8	59.0	70.5	80.7	70.7	135.0	114.3	57.6	10	47.6	24.6	16.0	14.0
43	43	56.1	61.0	70.5	80.7	70.7	135.0	114.3	7.0	10	47.6	20.5	15.5	14.0
45	45	59.3	64.0	75.0	83.7	75.7	139.0	117.5	57.6	10	47.6	24.3	16.0	14.0
48	48	62.4	66.6	75.0	83.7	75.7	139.0	117.5	57.6	10	47.6	24.3	16.0	14.0
50	50	65.3	70.0	78.0	87.6	79.0	150.0	124.5	57.6	10	47.6	24.3	16.0	17.5
53	53	68.8	73.0	87.0	97.0	85.0	150.0	136.5	57.6	10	47.6	22.5	15.5	17.5
55	55	68.8	73.0	87.0	97.0	85.0	150.0	136.5	57.6	10	47.6	22.5	15.5	17.5
58	58	72.0	76.2	92.0	102.4	88.7	164.5	139.7	57.6	10	47.6	24.6	16.0	17.5
60	60	75.2	80.0	92.0	102.4	88.7	164.5	139.7	57.6	10	47.6	24.6	16.0	17.5
63	63	78.3	83.0	98.5	108.7	96.1	171.0	147.4	57.6	10	47.6	23.7	16.0	17.5
65	65	81.5	86.0	98.5	108.7	96.1	171.0	147.4	57.6	10	47.6	23.7	16.0	17.5
70	70	84.7	89.0	100.0	111.9	98.3	180.5	152.4	57.6	10	47.6	24.3	16.0	17.5

Seal Size (inches)	d ₁	d ₂	d ₄		d ₆	d ₈	d ₂₆	d ₂₇	l	l ₁	l ₂	l ₃	l ₄	h
			min	max										
1.000	1.000	1.538	1.625	2.000	2.401	2.008	4.134	3.900	2.194	0.394	1.800	0.807	0.469	0.551
1.125	1.125	1.678	1.750	2.125	2.559	2.183	4.375	4.000	2.194	0.394	1.800	0.800	0.469	0.551
1.250	1.250	1.853	1.875	2.250	2.618	2.34	4.134	3.900	2.194	0.394	1.800	0.835	0.551	0.551
1.375	1.375	1.932	2.000	2.312	2.697	2.418	4.375	4.100	2.194	0.394	1.800	0.846	0.520	0.551
1.500	1.500	2.084	2.250	2.750	3.177	2.783	5.315	4.500	2.269	0.394	1.875	0.970	0.630	0.551
1.625	1.625	2.209	2.375	2.750	3.177	2.783	5.315	4.500	2.269	0.394	1.875	0.807	0.610	0.551
1.750	1.750	2.334	2.500	2.937	3.297	2.982	5.475	4.625	2.269	0.394	1.875	0.957	0.630	0.551
1.875	1.875	2.459	2.625	2.937	3.297	2.982	5.475	4.625	2.269	0.394	1.875	0.957	0.630	0.551
2.000	2.000	2.569	2.750	3.062	3.450	3.108	5.906	4.900	2.269	0.394	1.875	0.970	0.630	0.689
2.125	2.125	2.709	2.875	3.437	3.821	3.346	5.906	5.375	2.269	0.394	1.875	0.970	0.610	0.689
2.250	2.250	2.834	3.000	3.625	4.030	3.493	6.475	5.500	2.269	0.394	1.875	0.970	0.630	0.689
2.375	2.375	2.959	3.125	3.625	4.030	3.493	6.475	5.500	2.269	0.394	1.875	0.970	0.630	0.689
2.500	2.500	3.084	3.250	3.875	4.280	3.785	6.725	5.800	2.269	0.394	1.875	0.933	0.630	0.689
2.625	2.625	3.209	3.375	3.875	4.280	3.785	6.725	5.800	2.269	0.394	1.875	0.933	0.630	0.689
2.750	2.750	3.334	3.500	3.937	4.405	3.871	7.100	6.000	2.269	0.394	1.875	0.957	0.630	0.689

DEMS 400-A06



Çalışma Limitleri

Basınç: ≤ 2.3 MPa
 Hız: ≤ 23 m/s
 Sıcaklık: $-30^{\circ}\text{C} \sim +200^{\circ}\text{C}$

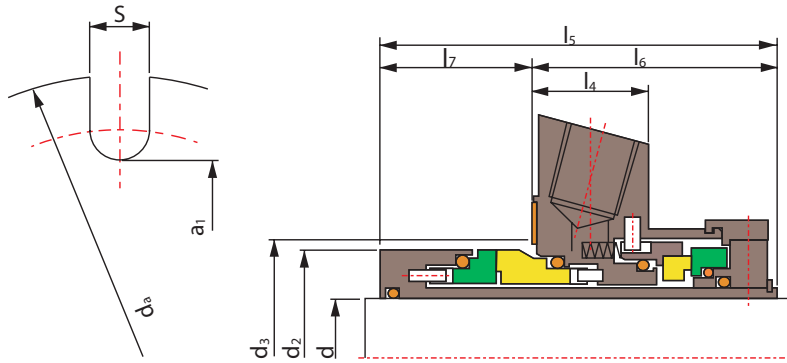
Operating Limits

Pressure: ≤ 2.3 MPa
 Speed: ≤ 23 m/s
 Temperature: $-30^{\circ}\text{C} \sim +200^{\circ}\text{C}$

- Döner Yüzey (SiC/Carbon/TC)
- Sabit Elemanlar (SiC/TC)
- Elastomer (VITON/EPDM/Kalrez)
- Diğer Parçalar (C-276/Duplex/316)
- Rotary Ring (SiC/Carbon/TC)
- Stationary Ring (SiC/TC)
- Secondary Seal (VITON/EPDM/Kalrez)
- Other Parts (C-276/Duplex/316)

d ₁ (inches)	d ₃		d ₄		d ₇	d ₈	d ₂₆	l ₁	l ₂	l ₃	h
	min	max	min	max							
1.000	1.625	1.937	2.937	3.625	2.375	-	4.125	1.209	1.467	0.927	1/2
1.125	1.750	2.062	2.937	3.750	2.375	-	4.250	1.209	1.467	0.927	1/2
1.250	1.875	2.187	3.062	3.875	2.500	-	4.375	1.209	1.467	0.927	1/2
1.375	2.000	2.312	3.186	3.975	2.625	-	4.375	1.209	1.467	0.927	1/2
1.500	2.250	2.500	3.375	4.500	2.832	-	5.000	1.090	1.400	0.852	1/2
1.625	2.375	2.500	3.375	4.500	2.832	-	5.000	1.090	1.400	0.852	1/2
1.750	2.500	2.750	3.562	4.750	3.022	-	5.250	1.090	1.400	0.852	1/2
1.875	2.625	2.750	3.562	4.750	3.022	-	5.250	1.090	1.400	0.852	1/2
2.000	2.750	3.000	3.937	5.000	3.386	-	5.500	1.150	1.413	0.852	1/2
2.125	2.875	3.312	4.375	5.125	3.687	-	5.750	1.150	1.413	0.852	5/8
2.250	3.000	3.312	4.375	5.125	3.687	-	5.750	1.150	1.413	0.852	5/8
2.375	3.125	3.562	4.625	5.375	3.937	-	6.000	1.150	1.413	0.852	5/8
2.500	3.375	3.875	5.000	6.375	4.312	-	7.000	1.250	1.500	0.926	5/8
2.625	3.500	3.875	5.000	6.375	4.312	-	7.000	1.250	1.500	0.926	5/8
2.750	3.625	3.875	5.000	6.375	4.312	-	7.000	1.250	1.500	0.926	5/8
2.875	3.750	4.500	5.625	6.812	4.937	-	7.350	1.250	1.500	0.926	5/8
3.000	3.875	4.500	5.625	6.812	4.937	-	7.500	1.250	1.500	0.926	5/8
3.125	4.000	4.500	5.625	6.812	4.937	-	7.500	1.250	1.500	0.926	5/8
3.250	4.125	4.875	6.000	7.312	5.312	-	8.000	1.250	1.500	0.926	5/8
3.375	4.250	4.875	6.000	7.312	5.312	-	8.000	1.250	1.500	0.926	5/8
3.500	4.375	4.875	6.000	7.312	5.312	-	8.000	1.250	1.500	0.926	5/8
3.625	4.500	5.000	6.750	7.687	5.937	5.000	8.500	1.250	1.877	0.769	3/4
3.750	4.625	5.125	6.750	7.687	5.937	5.000	8.500	1.250	1.877	0.769	3/4
3.875	4.750	5.250	6.750	7.687	5.937	5.000	8.500	1.250	1.877	0.769	3/4
4.000	4.875	5.500	7.437	8.187	6.625	5.375	9.000	1.250	1.877	0.769	3/4
4.125	5.125	5.875	7.437	8.187	6.625	5.375	9.000	1.250	1.877	0.769	3/4
4.250	5.125	5.875	7.437	8.187	6.625	5.375	9.000	1.250	1.877	0.769	3/4
4.375	5.375	6.250	7.812	8.687	7.000	5.750	9.500	1.250	1.877	0.769	3/4
4.500	5.375	6.250	7.812	8.687	7.000	5.750	9.500	1.250	1.877	0.769	3/4
4.625	5.625	6.250	8.312	9.062	7.345	6.125	10.000	1.250	1.877	0.769	7/8
4.750	5.625	6.250	8.312	9.062	7.345	6.125	10.000	1.250	1.877	0.769	7/8

d ₁ (mm)	d ₃		d ₄		d ₇	d ₈	d ₂₆	l ₁	l ₂	l ₃	h
	min	max	min	max							
24	40.0	46.0	74.6	92.0	60.3	-	104.8	30.7	37.3	23.5	12
25	41.0	49.2	74.6	92.0	60.3	-	104.8	30.7	37.3	23.5	12
28	44.0	52.4	74.6	95.3	60.3	-	108.0	30.7	37.3	23.5	12
30	46.0	55.6	77.8	98.4	63.5	-	110.0	30.7	37.3	23.5	12
32	48.0	55.6	77.8	98.4	63.5	-	110.0	30.7	37.3	23.5	12
33	49.0	55.6	77.8	98.4	63.5	-	110.0	30.7	37.3	23.5	12
35	50.8	58.7	80.9	98.4	66.7	-	110.0	30.7	37.3	23.5	12
38	57.2	63.5	85.7	114.3	71.9	-	127.0	27.7	35.6	21.6	12
40	57.2	63.5	85.7	114.3	71.9	-	127.0	27.7	35.6	21.6	12
43	60.3	63.5	85.7	114.3	71.9	-	127.0	27.7	35.6	21.6	12
45	63.5	69.8	90.5	120.7	76.7	-	133.4	27.7	35.6	21.6	12
48	66.7	69.8	90.5	120.7	76.7	-	133.4	27.7	35.6	21.6	12
50	68.0	69.8	90.5	120.7	76.7	-	133.4	27.7	35.6	21.6	12
53	71.0	76.2	100.0	127.0	86.0	-	139.7	29.2	35.9	21.6	12
55	73.0	84.1	111.1	130.2	93.7	-	146.0	29.2	35.9	21.6	16
58	76.2	84.1	111.1	130.2	93.7	-	146.0	29.2	35.9	21.6	16
60	79.4	90.5	117.5	136.5	100.0	-	152.4	29.2	35.9	21.6	16
63	85.7	98.4	127.0	161.9	109.5	-	177.8	31.8	38.1	23.5	16
65	88.9	98.4	127.0	161.9	109.5	-	177.8	31.8	38.1	23.5	16
70	92.1	98.4	127.0	161.9	109.5	-	177.8	31.8	38.1	23.5	16
75	98.5	114.3	142.9	173.0	125.4	-	190.5	31.8	38.1	23.5	16
80	101.6	114.3	142.9	173.0	125.4	-	190.5	31.8	38.1	23.5	16
85	108.0	123.7	152.4	185.7	135.0	-	203.2	31.8	38.1	23.5	16
90	114.3	127.0	171.5	195.2	150.8	127.0	215.9	31.8	47.7	19.6	20
95	117.5	130.2	171.5	195.2	150.5	127.0	215.9	31.8	47.7	19.6	20
100	123.9	139.7	188.9	207.9	168.3	136.5	228.6	31.8	47.7	19.6	20
105	130.1	149.2	189.0	208.0	168.3	136.5	228.6	31.8	47.7	19.6	20
110	136.5	198.4	198.4	220.6	146.1	146.1	241.3	31.8	47.7	19.6	20
115	142.9	168.3	211.1	230.2	186.6	155.6	254.0	31.8	47.7	19.6	22
120	142.9	168.3	211.1	230.2	186.6	155.6	254.0	31.8	47.7	19.6	22



Çalışma Limitleri

Basınç: $\leq 2.5\text{MPa}$
 Hız: $\leq 16\text{m/s}$
 Sıcaklık: $-40^{\circ}\text{C} \sim 220^{\circ}\text{C}$

Operating Limits

Pressure: $\leq 2.5\text{MPa}$
 Speed: $\leq 16\text{m/s}$
 Temperature: $-40^{\circ}\text{C} \sim 220^{\circ}\text{C}$

136

- Döner Yüzey (SiC/TC)
 - Sabit Eleman (SiC/TC/Carbon)
 - Elastomer (MTON/Encapsulated/NBR/Kalrez)
 - Diğer Parçalar (C-276/Duplex/316/304)
- Rotary Ring (SiC/TC)
 - Stationary Ring (SiC/TC/Carbon)
 - Secondary Seal (MTON/Encapsulated/NBR/Kalrez)
 - Other Parts (C-276/Duplex/316/304)

d (mm)	d ₂	d ₁		l ₁	l ₂	l ₃	l ₄	a ₁	d ₃	s
		min	max							
25	43.0	44.0	51.5	25.4	86.5	53.4	33.1	62	105	13.2
28	46.0	47.0	52.0	25.4	86.5	53.4	33.1	62	105	13.2
30	48.0	49.0	56.0	25.4	86.5	53.4	33.1	65	105	13.2
32	49.8	51.0	57.0	25.4	86.5	53.4	33.1	67	108	13.2
33	49.8	51.0	57.0	25.4	86.5	53.4	33.1	67	108	13.2
35	53.0	54.0	61.5	25.4	86.5	53.4	33.1	70	113	13.2
38	56.0	57.0	66.0	25.4	86.5	53.4	33.1	75	123	13.2
40	58.0	59.0	68.0	25.4	86.5	53.4	33.1	75	123	14.2
42	60.5	61.5	69.5	25.4	86.5	53.4	33.1	80	133	14.2
43	60.5	61.5	70.5	25.4	86.5	53.4	33.1	80	133	14.2
45	62.5	64.0	73.0	25.4	86.5	53.4	33.1	81	138	14.2
48	65.6	67.0	75.0	25.4	86.5	53.4	33.1	84	138	14.2
50	68.0	69.0	78.0	25.4	86.5	53.4	33.1	87	148	14.2
53	72.0	73.0	87.0	25.4	86.5	53.4	33.1	97	148	18.0
55	73.0	74.0	83.0	25.4	86.5	53.4	33.1	90	148	18.0
60	78.0	79.0	91.0	25.4	86.5	53.4	33.1	102	157	18.0
65	84.8	85.7	98.5	25.4	86.5	53.4	33.1	109	163	18.0
70	93.0	95.0	108.0	25.4	86.5	53.4	33.1	118	178	18.0
75	100.0	101.6	118.0	28.0	108.0	63.9	44.1	129	190	18.0
80	106.4	108.0	124.0	28.0	108.0	63.9	44.1	135	195	18.0
85	109.5	111.1	128.0	28.0	108.0	63.9	44.1	139	198	22.0
90	115.9	117.5	135.0	28.0	108.0	63.9	44.1	145	205	22.0
95	119.1	120.7	138.0	28.0	108.0	63.9	44.1	148	208	22.0
100	125.4	127.0	144.0	28.0	108.0	63.9	44.1	154	218	22.0

d (inches)	d ₂	d ₁		l ₁	l ₂	l ₃	l ₄	a ₁	d ₃	s
		min	max							
1.000	1.693	1.750	2.000	1.000	3.400	2.102	1.303	2.440	4.134	0.520
1.125	1.811	1.875	2.050	1.000	3.400	2.102	1.303	2.440	4.134	0.520
1.250	1.960	2.000	2.250	1.000	3.400	2.102	1.303	2.640	4.330	0.520
1.375	2.086	2.125	2.420	1.000	3.400	2.102	1.303	2.750	4.449	0.520
1.500	2.200	2.200	2.625	1.000	3.400	2.102	1.303	2.950	4.842	0.520
1.625	2.340	2.250	2.700	1.000	3.400	2.102	1.303	3.030	4.842	0.599
1.750	2.460	2.375	2.812	1.000	3.400	2.102	1.303	3.190	5.433	0.599
1.875	2.582	2.500	2.940	1.000	3.400	2.102	1.303	3.190	5.433	0.599
2.000	2.677	2.625	3.190	1.000	3.400	2.102	1.303	3.430	5.827	0.599
2.125	2.834	2.750	3.437	1.000	3.400	2.102	1.303	3.820	5.827	0.709
2.250	2.960	2.875	3.560	1.000	3.400	2.102	1.303	3.940	6.181	0.709
2.375	3.070	3.000	3.590	1.000	3.400	2.102	1.303	4.020	6.181	0.709
2.500	3.212	3.125	3.800	1.000	3.400	2.102	1.303	4.170	6.417	0.709
2.625	3.338	3.250	3.937	1.000	3.400	2.102	1.303	4.290	6.417	0.709
2.750	3.660	3.375	4.250	1.000	3.400	2.102	1.303	4.650	7.008	0.709
2.875	3.811	3.875	4.567	1.000	4.250	2.516	1.736	4.960	7.283	0.709
3.000	3.937	4.000	4.646	1.102	4.250	2.516	1.736	5.079	7.480	0.709
3.125	4.063	4.125	4.764	1.102	4.250	2.516	1.736	5.197	7.677	0.709
3.250	4.189	4.250	4.882	1.102	4.250	2.516	1.736	5.315	7.677	0.709
3.375	4.311	4.375	5.039	1.102	4.250	2.516	1.736	5.472	7.795	0.866
3.500	4.437	4.500	5.157	1.102	4.250	2.516	1.736	5.591	7.795	0.866
3.625	4.563	4.625	5.315	1.102	4.250	2.516	1.736	5.709	8.071	0.866
3.750	4.689	4.750	4.433	1.102	4.250	2.516	1.736	5.827	8.189	0.866
4.000	4.937	5.000	5.669	1.102	4.250	2.516	1.736	6.063	8.583	0.866

DEMS 410-J01



Çalışma Limitleri

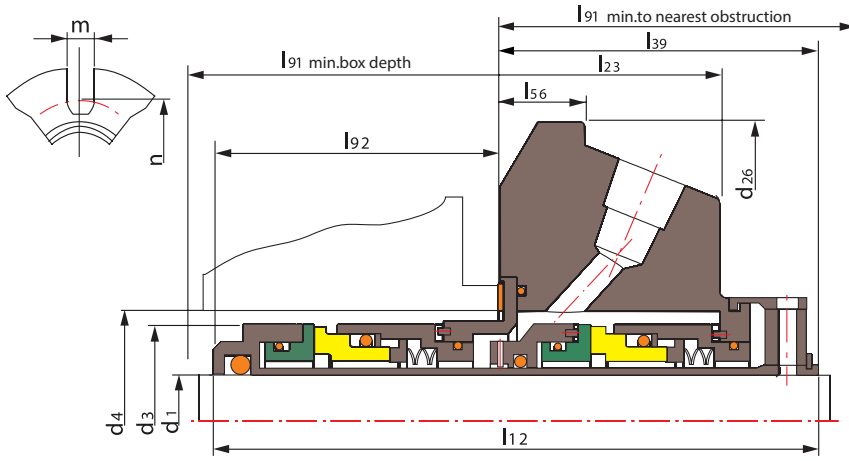
Basınç: <2.1MPa (shaft diameter ≤ 75mm)
<1.3MPa (shaft diameter > 75mm)
Hız: ≤ 25m/s
Sıcaklık: -30°C ~ +205°C

Operating Limits

Pressure: <2.1MPa (shaft diameter ≤ 75mm)
<1.3MPa (shaft diameter > 75mm)
Speed: ≤ 25m/s
Temperature: -30°C ~ +205°C

d ₁ (inches)	d ₃	d ₄		d ₂₆	l ₁₂	l ₂₃	l ₃₉	l ₅₆	l ₉₀	l ₉₁	l ₉₂	m	n
		min	max										
1.000	1.564	1.625	1.889	4.000	3.705	1.353	1.954	0.531	2.000	1.876	1.751	0.525	2.805
1.125	1.689	1.750	2.015	4.125	3.851	1.446	2.062	0.531	2.125	1.914	1.789	0.525	2.933
1.250	1.812	1.875	2.294	4.250	3.851	1.446	2.062	0.531	2.125	1.914	1.789	0.525	3.213
1.375	1.939	2.000	2.421	4.375	3.851	1.446	2.062	0.531	2.125	1.914	1.789	0.525	3.338
1.500	2.187	2.250	2.680	4.875	3.995	1.487	2.125	0.593	2.187	1.995	1.870	0.525	3.599
1.625	2.312	2.375	2.812	5.000	3.995	1.487	2.125	0.593	2.187	1.995	1.870	0.562	3.766
1.750	2.406	2.480	2.918	5.250	3.995	1.487	2.125	0.593	2.187	1.995	1.870	0.562	3.875
1.875	2.549	2.625	2.918	5.250	3.995	1.487	2.125	0.593	2.187	1.995	1.870	0.562	3.875
2.000	2.673	2.750	3.015	5.500	4.355	1.601	2.312	1.063	2.375	2.167	2.042	0.562	4.000
2.125	2.798	2.875	3.360	5.859	4.355	1.601	2.312	0.593	2.375	2.167	2.042	0.687	4.469
2.250	2.923	3.000	3.485	6.500	4.355	1.601	2.312	0.593	2.375	2.167	2.042	0.687	4.566
2.375	3.048	3.125	3.610	6.500	4.545	1.717	2.466	0.625	2.528	2.204	2.079	0.687	4.719
2.500	3.301	3.375	3.891	6.750	4.545	1.717	2.563	0.625	2.625	2.107	1.982	0.687	5.000
2.625	3.551	3.625	4.062	6.750	4.594	1.625	2.500	0.625	2.562	2.219	2.094	0.687	5.170
2.750	3.551	3.625	4.062	6.750	4.594	1.625	2.500	0.625	2.562	2.219	2.094	0.687	5.170
2.875	3.614	3.750	4.186	7.000	4.594	1.725	2.500	0.625	2.562	2.219	2.094	0.687	5.312
3.000	3.864	4.000	4.469	7.750	4.594	1.787	2.562	0.685	2.625	2.157	2.032	0.812	5.720
3.125	4.022	4.125	4.600	7.875	4.687	1.593	2.562	\	2.687	2.250	2.125	0.812	5.845
3.250	4.022	4.134	4.600	7.437	4.687	1.593	2.510	\	2.635	2.302	2.177	0.812	5.845
3.375	4.246	4.375	4.850	8.125	4.687	1.593	2.562	\	2.687	2.250	2.125	0.812	6.095
3.500	4.371	4.500	4.975	8.250	4.687	1.593	2.562	\	2.687	2.250	2.125	0.812	6.220
3.625	4.500	4.625	5.100	8.375	4.687	1.593	2.562	\	2.687	2.250	2.125	0.687	6.250
.750	4.625	4.724	5.199	8.750	4.687	1.593	2.562	\	2.687	2.250	2.125	0.687	6.770
3.875	4.750	4.875	5.375	8.750	4.687	1.593	2.562	\	2.687	2.250	2.125	0.812	6.636
4.000	4.875	5.000	5.500	9.000	4.687	1.593	2.562	\	2.687	2.250	2.125	0.812	6.761
4.125	5.000	5.125	5.625	9.000	4.687	1.593	2.562	\	2.687	2.250	2.125	0.812	6.886
4.250	5.125	5.250	5.750	9.250	4.687	1.593	2.562	\	2.687	2.250	2.125	0.812	7.011
4.500	5.375	5.500	6.000	9.500	4.687	1.593	2.562	\	2.687	2.250	2.125	0.812	7.261
4.750	5.625	5.750	6.313	10.375	4.687	1.593	2.562	\	2.687	2.250	2.125	0.812	7.574
5.000	6.125	6.760	7.260	12.000	5.515	1.749	3.043	\	3.168	2.598	2.473	0.812	10.00
5.250	6.375	7.010	7.510	12.250	5.515	1.749	3.043	\	3.168	2.598	2.473	0.812	10.25
5.500	6.625	7.500	8.000	12.687	5.515	1.749	3.043	\	3.168	2.598	2.473	0.937	10.50

DEMS 410-J01



- Döner Yüzey (SiC/TC)
- Sabit Elemanlar (SiC/Carbon/TC)
- Elastomer (VITON/Encapsulated Ring/PTFE)
- Diğer Parçalar (SUS304/SUS316/Titanium/Hastelloy-C)
- Rotary Ring(SiC/TC)
- Stationary Ring(SiC/Carbon/TC)
- Secondary Seal(VITON/Encapsulated Ring/PTFE)
- Other Parts (SUS304/SUS316/Titanium/Hastelloy-C)

138

d ₁ (mm)	d ₃	d ₄		d ₂₆	l ₁₂	l ₂₃	l ₃₉	l ₅₆	l ₉₀	l ₉₁	l ₉₂	m	n
		min	max										
24	39.7	41.3	48.0	101.6	94.1	34.4	49.6	13.5	50.8	47.7	44.5	13.3	71.2
25	39.7	41.3	48.0	101.6	94.1	34.4	49.6	13.5	50.8	47.7	44.5	13.3	71.2
28	42.9	44.5	51.2	104.8	97.8	36.7	52.4	13.5	54.0	48.6	45.4	13.3	74.5
30	44.5	46.1	56.5	108.0	97.8	36.7	52.4	13.5	54.0	48.6	45.4	13.3	79.9
32	46.0	47.6	58.3	108.0	97.8	36.7	52.4	13.5	54.0	48.6	45.4	13.3	81.6
33	49.3	50.8	61.5	111.1	97.8	36.7	52.4	13.5	54.0	48.6	45.4	13.3	84.8
35	49.3	50.8	61.5	111.1	97.8	36.7	52.4	13.5	54.0	48.6	45.4	13.3	84.8
38	55.5	57.2	68.1	123.8	101.5	37.8	54.0	15.1	55.5	50.7	47.5	13.3	91.4
40	58.7	60.3	71.4	127.0	101.5	37.8	54.0	15.1	55.5	50.7	47.5	14.3	95.7
43	61.1	63.0	74.1	133.4	101.5	37.8	54.0	15.1	55.5	50.7	47.5	14.3	98.4
45	61.1	63.0	74.1	133.4	101.5	37.8	54.0	15.1	55.5	50.7	47.5	14.3	98.4
48	64.7	66.7	74.1	133.4	101.5	37.8	54.0	15.1	55.5	50.7	47.5	14.3	98.4
50	67.9	70.0	76.6	139.7	110.6	40.7	58.7	27.0	60.3	55.0	51.9	14.3	101.6
53	71.1	73.0	85.3	148.8	110.6	40.7	58.7	15.1	60.3	55.0	51.9	17.4	113.5
55	72.9	75.0	85.3	148.8	110.6	40.7	58.7	15.1	60.3	55.0	51.9	17.4	113.5
58	74.2	76.2	88.5	165.1	110.6	40.7	58.7	15.1	60.3	55.0	51.9	17.4	116.0
60	77.4	79.4	91.7	165.1	115.4	43.6	62.6	15.9	64.2	56.0	52.8	17.4	119.9
63	83.8	85.7	98.8	171.5	115.4	43.6	65.1	15.9	66.7	53.5	50.3	17.4	127.0
65	83.8	85.7	98.8	171.5	115.4	43.6	65.1	15.9	66.7	53.5	50.3	17.4	127.0
68	90.2	92.1	103.2	171.5	116.7	41.3	63.5	15.9	65.1	56.4	53.2	17.4	131.3
70	90.2	92.1	103.2	171.5	116.7	41.3	63.5	15.9	65.1	56.4	53.2	17.4	131.3
75	98.1	101.6	113.5	196.9	116.7	45.4	65.1	17.4	66.7	54.8	51.6	20.6	145.3
80	102.2	105.0	116.8	188.9	119.0	40.5	63.8	\	66.9	58.5	55.3	20.6	148.5
85	107.9	111.1	123.2	206.4	119.0	40.5	65.1	\	68.3	57.2	54.0	20.6	154.8
90	114.3	117.5	129.5	212.7	119.0	40.5	65.1	\	68.3	57.2	54.0	17.5	158.6
95	117.5	120.0	132.1	222.3	119.0	40.5	65.1	\	68.3	57.2	54.0	17.5	172.0
100	123.8	127.0	139.7	228.6	119.0	40.5	65.1	\	68.3	57.2	54.0	20.6	171.7
105	127.0	130.2	142.9	228.6	119.0	40.5	65.1	\	68.3	57.2	54.0	20.6	174.9
110	136.5	139.7	152.4	241.3	119.0	40.5	65.1	\	68.3	57.2	54.0	20.6	184.4
115	136.5	139.7	152.4	241.3	119.0	40.5	65.1	\	68.3	57.2	54.0	20.6	184.4
120	142.9	146.1	160.4	263.5	119.0	40.5	65.1	\	68.3	57.2	54.0	20.6	192.4
125	155.6	171.7	184.4	304.8	140.1	44.4	77.3	\	80.5	66.0	62.8	20.6	254.0
130	161.9	178.1	190.8	311.2	140.1	44.4	77.3	\	80.5	66.0	62.8	20.6	260.4
135	168.3	190.5	203.2	322.3	140.1	44.4	77.3	\	80.5	66.0	62.8	20.8	266.7
140	168.3	190.5	203.2	322.3	140.1	44.4	77.3	\	80.5	66.0	62.8	20.8	266.7

DEMS 410-J05

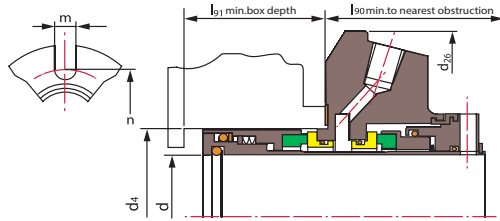
Çalışma Limitleri

Basınç: ≤ 2.1 MPa
Hız: ≤ 25 m/s
Sıcaklık: $-30^{\circ}\text{C} \sim +205$

Operating Limits

Pressure: ≤ 2.1 MPa
Speed: ≤ 25 m/s
Temperature: $-30^{\circ}\text{C} \sim +205$

- Döner Yüzey (SiC/Carbon/TC)
- Sabit Elemanlar (SiC/Carbon/TC)
- Elastomer (VITON/Encapsulated Ring/PTFE)
- Diğer Parçalar (SUS304/SUS316/Titanium/Hastelloy-C)
- Rotary Ring(SiC/Carbon/TC)
- Stationary Ring(SiC/Carbon/TC)
- Secondary Seal(VITON/Encapsulated Ring/PTFE)
- Other Parts (SUS304/SUS316/Titanium/Hastelloy-C)



d (inches)	d ₄		d ₂₆	l ₉₀	l ₉₁	n	m
	min	max					
1.000	1.625	1.889	4.000	2.000	1.635	2.805	0.525
1.125	1.750	2.015	4.125	2.125	1.603	2.933	0.525
1.250	1.875	2.294	4.250	2.125	1.603	3.213	0.525
1.375	2.000	2.421	4.375	2.125	1.603	3.338	0.525
1.500	2.250	2.680	4.875	2.187	1.680	3.599	0.525
1.625	2.375	2.812	5.000	2.187	1.680	3.766	0.562
1.750	2.500	2.918	5.250	2.187	1.680	3.875	0.562
1.875	2.625	2.918	5.250	2.187	1.680	3.875	0.562
2.000	2.750	3.015	5.500	2.375	1.711	4.000	0.562
2.125	2.875	3.360	5.859	2.375	1.711	4.469	0.687
2.250	3.000	3.485	6.500	2.475	1.711	4.566	0.687
2.375	3.125	3.610	6.500	2.528	1.711	4.719	0.687
2.500	3.375	3.891	6.750	2.625	1.703	5.000	0.687
2.625	3.687	4.062	6.750	2.562	1.727	5.170	0.687
2.750	3.687	4.062	6.750	2.562	1.727	5.170	0.687

DEMS 410-FS02

139

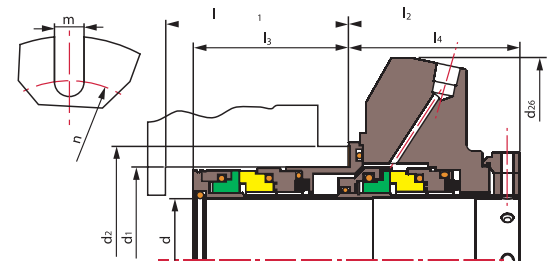
Çalışma Limitleri

Basınç: ≤ 2.1 MPa
Hız: ≤ 25 m/s
Sıcaklık: $-30^{\circ}\text{C} \sim +205$

Operating Limits

Pressure: ≤ 2.1 MPa
Speed: ≤ 25 m/s
Temperature: $-30^{\circ}\text{C} \sim +205$

- Döner Yüzey (SiC/TC)
- Sabit Elemanlar (SiC/Carbon/TC)
- Elastomer (VITON/Encapsulated Ring/)
- Diğer Parçalar (SUS304/SUS316/Titanium/Hastelloy-C)
- Rotary Ring(SiC/TC)
- Stationary Ring (SiC/Carbon/TC)
- Secondary Seal(VITON/Encapsulated Ring)
- Other Parts (SUS304/SUS316/Titanium/Hastelloy-C)



d (inches)	d ₁		d ₂	d ₂₆	l ₃	l ₁	l ₄	l ₂	n	m
	min	max								
1.000	1.625	1.875	2.115	3.69~3.75	1.838	1.900	2.062	2.124	2.750	0.440
1.125	1.750	2.000	2.240	3.69~3.75	1.838	1.900	2.062	2.124	2.875	0.440
1.250	1.890	2.245	2.495	4.19~4.25	1.838	1.900	2.062	2.124	3.125	0.562
1.375	2.000	2.375	2.615	3.94~4.00	1.838	1.900	2.062	2.124	3.250	0.440
1.437	2.250	2.688	2.775	4.72~4.78	1.903	1.965	2.122	2.184	3.750	0.560
1.500	2.250	2.525	2.775	4.69~4.75	1.903	1.965	2.122	2.184	3.750	0.560
1.625	2.375	2.780	3.030	4.69~4.75	1.903	1.965	2.122	2.184	3.750	0.560
1.750	2.500	2.875	3.150	4.94~5.00	1.903	1.965	2.122	2.184	3.875	0.560
1.875	2.625	2.875	3.150	4.94~5.00	1.903	1.965	2.122	2.184	3.875	0.560
1.937	2.690	2.920	\	\	1.903	1.965	2.122	2.184	\	\
2.000	2.750	3.030	3.280	5.00~5.12	1.903	1.965	2.122	2.184	4.120	0.688
2.125	2.875	3.125	3.430	5.94~6.00	1.903	1.965	2.122	2.184	4.250	0.750
2.250	3.000	3.280	\	\	1.903	1.965	2.122	2.184	\	\
2.375	3.125	3.687	3.975	6.32~6.38	1.903	1.965	2.122	2.184	4.875	0.750
2.437	3.375	3.450	TBD	6.32~6.38	1.934	1.996	2.091	2.153	4.875	0.750
2.500	3.375	3.687	3.975	6.32~6.38	1.903	1.965	2.122	2.184	4.875	0.750
2.625	3.625	4.312	4.615	7.19~7.25	2.429	2.491	2.906	2.968	5.625	0.880
2.750	3.750	4.312	4.615	7.19~7.25	2.429	2.491	2.906	2.968	5.625	0.880



DEMS 410-A02

Çalışma Limitleri

Basınç: <2.1MPa(shaft diameter≤75mm)
 <1.3MPa(shaft diameter>75mm)
 Hız: ≤25m/s
 Sıcaklık: -30°C~+205°C



Operating Limits

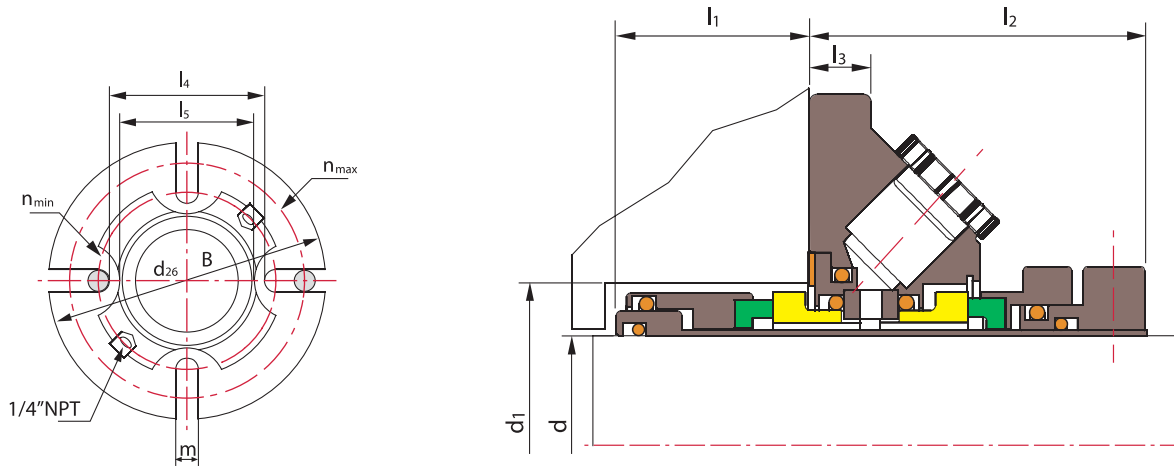
Pressure: <2.1MPa(shaft diameter≤75mm)
 <1.3MPa(shaft diameter>75mm)
 Speed: ≤25m/s
 Temperature: -30°C~+205°C

- Döner Yüzey (SiC/Carbon/TC)
- Sabit Elemanlar (SiC/TC)
- Elastomer (VITON/Encapsulated Ring/PTFE)
- Diğer Parçalar (SUS304/SUS316/Titanium/Hastelloy-C)
- Rotary Ring (SiC/Carbon/TC)
- Stationary Ring (SiC/TC)
- Secondary Sea I(VITON/Encapsulated Ring/PTFE)
- Other Parts (SUS304/SUS316/Titanium/Hastelloy-C)

140

d (inches)	d ₂₆	l ₄	l ₅	l ₃	d ₁		n		m	l ₁	l ₂
					min	max	min	max			
1.000	4.125	2.125	1.937	0.519	1.625	1.937	2.687	3.562	1/2	1.281	2.062
1.125	4.250	2.250	2.063	0.519	1.750	2.062	2.812	3.617	1/2	1.281	2.062
1.250	4.375	2.375	2.187	0.519	1.875	2.187	2.937	3.812	1/2	1.281	2.062
1.375	4.375	2.500	2.312	0.519	2.000	2.250	3.062	3.812	1/2	1.281	2.062
1.500	5.000	2.812	2.562	0.644	2.250	2.375	3.375	4.437	1/2	1.312	2.125
1.625	5.000	2.812	2.562	0.644	2.375	2.500	3.375	4.437	1/2	1.312	2.125
1.750	5.500	3.187	2.812	0.644	2.500	2.750	3.750	4.937	1/2	1.312	2.125
1.875	5.500	3.187	2.812	0.644	2.625	2.875	3.750	4.937	1/2	1.312	2.125
2.000	6.000	3.562	3.063	0.644	2.750	3.000	4.125	5.437	1/2	1.380	2.125
2.000-AC	5.250	3.450	3.035	0.644	2.750	3.000	4.000	4.750	1/2	1.380	2.125
2.125	6.000	3.562	3.063	0.644	2.875	3.125	4.125	5.437	1/2	1.380	2.125
2.250	6.500	3.812	3.312	0.644	3.000	3.250	4.500	5.812	5/8	1.380	2.125
2.375	6.500	3.812	3.312	0.644	3.125	3.375	4.500	5.812	5/8	1.380	2.125
2.500	7.000	4.312	3.812	0.769	3.375	3.625	5.000	6.312	5/8	1.500	2.375
2.625	7.000	4.312	3.812	0.769	3.500	3.750	5.000	6.312	5/8	1.500	2.375
2.750	7.000	4.312	3.812	0.769	3.625	3.875	5.000	6.312	5/8	1.500	2.375
2.875	7.500	4.937	4.250	0.769	3.750	4.125	5.625	6.812	5/8	1.500	2.375
3.000	7.500	4.937	4.250	0.769	3.875	4.250	5.625	6.812	5/8	1.500	2.375
3.125	7.500	4.937	4.250	0.769	4.000	4.375	5.625	6.812	5/8	1.500	2.375
3.250	8.000	5.312	4.625	0.769	4.125	4.500	6.125	7.187	3/4	1.500	2.375
3.375	8.000	5.312	4.625	0.769	4.250	4.625	6.125	7.187	3/4	1.500	2.375
3.500	8.000	5.312	4.625	0.769	4.375	4.750	6.125	7.187	3/4	1.500	2.375
3.625	8.500	5.937	5.000	0.769	4.500	5.000	6.750	7.687	3/4	1.500	2.375
3.750	8.500	5.937	5.000	0.769	4.625	5.125	6.750	7.687	3/4	1.500	2.375
3.875	8.500	5.937	5.000	0.769	4.750	5.250	6.750	7.687	3/4	1.500	2.375
4.000	9.000	6.625	5.375	0.769	4.875	5.500	7.437	8.187	3/4	1.500	2.375
4.125	9.000	6.625	5.375	0.769	5.125	5.875	7.437	8.187	3/4	1.500	2.375
4.250	9.000	6.625	5.375	0.769	5.125	5.875	7.437	8.187	3/4	1.500	2.375
4.375	9.500	7.000	5.750	0.769	5.375	6.250	7.812	8.687	3/4	1.500	2.375
4.500	9.500	7.000	5.750	0.769	5.375	6.250	7.812	8.687	3/4	1.500	2.375
4.625	10.000	7.345	6.125	0.769	5.625	6.625	8.312	9.062	7/8	1.500	2.375
4.750	10.000	7.345	6.125	0.769	5.625	6.625	8.312	9.062	7/8	1.500	2.375
4.875	10.000	7.345	6.125	0.769	5.875	6.625	8.312	9.062	7/8	1.500	2.375
5.000	10.000	7.345	6.125	0.769	5.875	6.625	8.312	9.062	7/8	1.500	2.375

DEMS 410-A02



Çalışma Limitleri

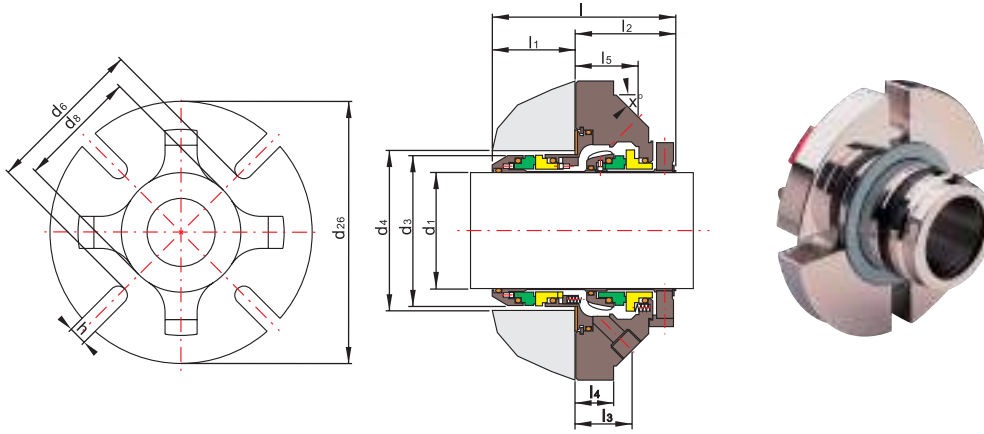
Basınç: <2.1MPa (shaft diameter ≤ 75mm)
 <1.3MPa (shaft diameter > 75mm)
 Hız: ≤ 25m/s
 Sıcaklık: -30°C ~ +205°C

Operating Limits

Pressure: <2.1MPa (shaft diameter ≤ 75mm)
 <1.3MPa (shaft diameter > 75mm)
 Speed: ≤ 25m/s
 Temperature: -30°C ~ +205°C

d (mm)	d ₂₆	l ₄	l ₅	l ₃	d ₁		n		m max	l ₁	l ₂
					min	max	min	max			
24	104.8	54.0	49.2	13.2	40.0	46.0	67.0	90.5	12	32.5	52.4
25	104.8	54.0	49.2	13.2	41.0	49.0	67.0	90.5	12	32.5	52.4
28	108.0	57.2	52.4	13.2	44.0	52.3	70.3	93.6	12	32.5	52.4
30	111.0	60.4	55.6	13.2	46.0	55.5	73.5	96.8	12	32.5	52.4
32	111.0	60.4	55.6	13.2	48.0	55.5	73.5	96.8	12	32.5	52.4
33	111.0	60.4	55.6	13.2	49.0	55.5	73.5	96.8	12	32.5	52.4
35	111.0	63.5	58.8	13.2	51.0	57.5	76.6	96.8	12	32.5	52.4
38	127.0	71.5	65.0	16.4	57.2	60.3	85.7	114.3	12	33.3	54.0
40	127.0	71.5	65.0	16.4	58.0	60.4	85.7	114.3	12	33.3	54.0
43	127.0	71.5	65.0	16.4	61.0	63.5	85.7	114.3	12	33.3	54.0
45	139.7	81.0	71.4	16.4	63.5	69.9	95.3	127.0	12	33.3	54.0
48	139.7	81.0	71.4	16.4	66.7	73.0	95.3	127.0	12	33.3	54.0
50	139.7	81.0	71.4	16.4	68.0	73.0	95.3	127.0	12	33.3	54.0
53	152.4	90.5	77.8	16.4	71.0	76.2	104.8	139.7	12	35.0	54.0
55	152.4	90.5	77.8	16.4	74.0	79.4	104.8	139.7	12	35.0	54.0
58	165.1	96.8	84.1	16.4	76.2	82.5	114.3	149.2	16	35.0	54.0
60	165.1	96.8	84.1	16.4	79.4	85.7	114.3	149.2	16	35.0	54.0
63	177.8	109.5	96.8	19.6	85.8	92.1	127.0	160.3	16	38.1	60.3
65	177.8	109.5	96.8	19.6	88.9	95.3	127.0	160.3	16	38.1	60.3
68	177.8	109.5	96.8	19.6	92.1	98.4	127.0	160.3	16	38.1	60.3
70	177.8	109.5	96.8	19.6	92.1	98.4	127.0	160.3	16	38.1	60.3
75	190.5	125.4	108.0	19.6	98.5	108.0	142.9	173.0	16	38.1	60.3
80	190.5	125.4	108.0	19.6	101.6	111.1	142.9	173.0	16	38.1	60.3
85	203.2	135.0	117.5	19.6	108.0	117.5	155.6	182.5	20	38.1	60.3
90	215.9	150.8	127.0	19.6	114.3	127.0	171.5	195.2	20	38.1	60.3
95	215.9	150.8	127.0	19.6	117.5	130.2	171.5	195.2	20	38.1	60.3
100	228.6	168.3	136.5	19.6	123.9	139.7	189.0	208.0	20	38.1	60.3
105	228.6	168.3	136.5	19.6	130.1	149.2	189.0	208.0	20	38.1	60.3
110	241.3	177.8	146.2	19.6	136.5	158.8	198.4	220.6	20	38.1	60.3
115	254.0	186.6	155.8	19.6	142.9	168.3	211.1	230.2	22	38.1	60.3
120	254.0	186.6	155.8	19.6	142.9	168.3	211.1	230.2	22	38.1	60.3
125	254.0	186.6	155.8	19.6	149.2	168.3	211.1	230.2	22	38.1	60.3

DEMS 410-A03



Çalışma Limitleri

Basınç: ≤ 2.1 MPa
 Hız: ≤ 25 m/s
 Sıcaklık: $-40^{\circ}\text{C} \sim +204^{\circ}\text{C}$

Operating Limits

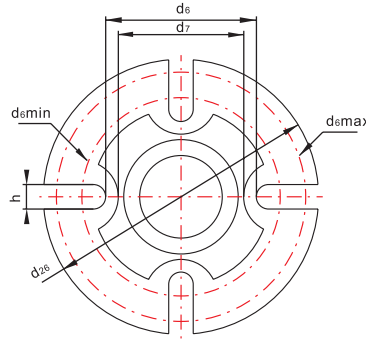
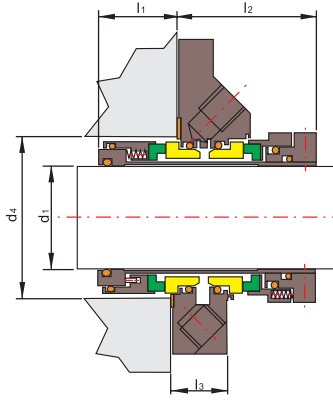
Pressure: ≤ 2.1 MPa
 Speed: ≤ 25 m/s
 Temperature: $-40^{\circ}\text{C} \sim +204^{\circ}\text{C}$

- Döner Yüzey (SiC/Carbon/TC)
- Sabit Elemanlar (SiC/TC)
- Elastomer (VITON/EPDM/Kalrez)
- Diğer Parçalar(C-276/Duplex/316)
- Rotary Ring (SiC/Carbon/TC)
- Stationary Ring (SiC/TC)
- Secondary Seal (VITON/EPDM/Kalrez)
- Other Parts (C-276/Duplex/316)

142

Seal Size (mm)	d ₁	d ₂	d ₄		d ₆	d ₈	d ₂₆	l	l ₁	l ₂	l ₃	l ₄	l ₅	h	x
			min	max											
24	24	40.8	43.0	48.0	57.7	50.4	105.0	92.0	53.1	38.9	28.2	19.2	29.2	14.0	20°
25	25	41.8	44.0	51.0	62.0	51.0	105.0	92.0	53.1	38.9	27.8	19.2	29.2	14.0	20°
28	28	45.4	47.0	54.0	65.0	55.5	111.0	92.0	53.1	38.9	27.5	19.2	29.4	14.0	20°
30	30	46.8	49.0	54.0	64.6	56.4	105.0	92.0	53.1	38.9	27.4	19.2	29.7	14.0	20°
32	32	49.8	51.0	57.0	66.5	59.4	105.0	92.0	53.1	38.9	28.4	21.5	30.9	14.0	25°
33	33	49.8	51.0	57.0	66.5	59.4	105.0	92.0	53.1	38.9	28.4	21.5	30.9	14.0	25°
35	35	51.8	53.0	59.0	68.5	61.4	120.0	92.0	53.1	38.9	29.3	20.7	29.3	14.0	15°
40	40	57.6	59.0	70.5	80.7	70.8	135.0	93.2	53.1	40.1	30.1	21.3	30.1	14.0	20°
43	43	58.6	61.0	70.5	80.7	70.8	135.0	93.2	53.1	40.1	26.7	21.3	29.8	14.0	15°
45	45	62.0	64.0	75	84.6	73.8	139.0	93.2	53.1	40.1	30.5	21.9	30.5	14.0	20°
50	50	68.0	70.0	78.0	87.6	78.9	150.0	93.2	53.1	40.1	30.5	21.6	30.5	17.5	20°
53	53	71.6	73.0	87.0	97.0	85.0	150.0	93.2	53.1	40.1	25.7	21.3	29.5	17.5	15°
55	55	71.6	73.0	87.0	97.0	85.0	150.0	93.2	53.1	40.1	25.7	21.3	29.5	17.5	15°
60	60	77.9	80.0	92.0	102.4	88.0	164.5	93.2	53.1	40.1	30.5	21.6	30.5	17.5	20°
63	63	81.1	83.0	98.5	108.7	94.4	171.0	93.2	53.1	40.1	29.8	21.6	29.8	17.5	15°
65	65	84.3	86.0	98.5	108.7	94.4	171.0	93.2	53.1	40.1	29.4	21.3	29.4	17.5	15°
70	70	87.4	89.0	100.0	112.0	98.3	180.5	93.2	53.1	40.1	29.7	21.3	29.7	17.5	20°
75	75	98.0	101.6	117.5	131.4	116.5	189.3	115.9	63.5	52.4	25.0	25.8	36.3	17.5	20°
80	80	104.4	108.0	127.0	142.5	126.0	201.9	115.9	63.5	52.4	25.0	25.8	36.3	21.0	20°
85	85	107.6	111.1	127.0	142.5	126.0	201.9	115.9	63.5	52.4	25.0	25.8	36.3	21.0	20°
90	90	113.9	117.5	136.5	152.0	135.5	214.6	115.9	63.5	52.4	26.2	25.8	36.3	21.0	20°
95	95	117.1	120.0	136.5	152.0	135.5	214.6	115.9	63.5	52.4	26.2	25.8	36.3	21.0	20°
100	100	123.4	127.0	139.7	155.2	138.7	227.3	115.9	63.5	52.4	26.2	25.8	36.3	21.0	20°
105	105	129.8	133.4	152.4	167.9	151.4	240.0	115.9	63.5	52.4	36.0	23.8	40.1	21.0	45°
110	110	136.1	139.7	152.4	167.9	151.4	240.0	115.9	63.5	52.4	36.0	23.8	40.1	21.0	45°
115	115	142.5	146.1	165.1	180.6	164.1	252.7	115.9	63.5	52.4	36.0	23.8	40.1	24.0	45°
120	120	142.5	146.1	165.1	180.6	164.1	252.7	115.9	63.5	52.4	36.0	23.8	40.1	24.0	45°
125	125	148.8	152.4	165.1	180.6	164.1	252.7	115.9	63.5	52.4	36.0	23.8	40.1	24.0	45°

DEMS 410-A04



Çalışma Limitleri

Basınç: $\leq 2.1\text{MPa}$
 Hız: $\leq 25\text{m/s}$
 Sıcaklık: $-40^{\circ}\text{C} \sim +204^{\circ}\text{C}$

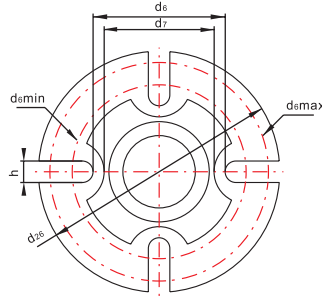
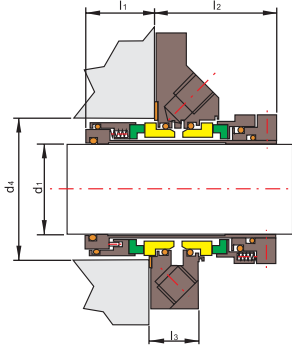
Operating Limits

Pressure: $\leq 2.1\text{MPa}$
 Speed: $\leq 25\text{m/s}$
 Temperature: $-40^{\circ}\text{C} \sim +204^{\circ}\text{C}$

- Döner Yüzey (SiC/Carbon/TC)
- Sabit Elemanlar (SiC/TC)
- Elastomer (VITON/EPDM/Kalrez)
- Diğer Parçalar(C-276/Duplex/316)
- Rotary Ring (SiC/Carbon/TC)
- Stationary Ring (SiC/TC)
- Secondary Seal (VITON/EPDM/Kalrez)
- Other Parts (C-276/Duplex/316)

d ₁ (mm)	d ₄	d ₆	d ₇	d ₈	d ₂₆	l ₁	l ₂	l ₃	h
24	40.0	74.6	60.3	-	104.8	30.7	51.3	23.5	12
25	41.0	74.6	60.3	-	104.8	30.7	51.3	23.5	12
28	44.0	74.6	60.3	-	108.0	30.7	51.3	23.5	12
30	46.0	77.8	63.5	-	111.0	30.7	51.3	23.5	12
32	48.0	77.8	63.5	-	111.0	30.7	51.3	23.5	12
33	49.0	77.8	63.5	-	111.0	30.7	51.3	23.5	12
35	50.8	80.9	66.7	-	111.0	30.7	51.3	23.5	12
38	57.2	85.7	71.9	-	127.0	27.7	56.5	21.6	12
40	57.2	85.7	71.9	-	127.0	27.7	56.5	21.6	12
43	60.3	85.7	71.9	-	127.0	27.7	56.5	21.6	12
45	63.5	90.5	76.7	-	133.4	27.7	56.5	21.6	12
48	66.7	90.5	76.7	-	133.4	27.7	56.5	21.6	12
50	68.0	90.5	76.7	-	133.4	27.7	56.5	21.6	12
53	71.0	100.0	86.0	-	139.7	29.2	57.2	21.6	12
55	73.0	111.1	93.7	-	146.0	29.2	57.2	21.6	16
58	76.2	111.1	93.7	-	146.0	29.2	57.2	21.6	16
60	79.4	117.5	100.0	-	152.4	29.2	57.2	21.6	16
63	85.7	127.0	109.5	-	177.8	31.8	63.8	23.5	16
65	88.9	127.0	109.5	-	177.8	31.8	63.8	23.5	16
70	92.1	127.0	109.5	-	177.8	31.8	63.8	23.5	16
75	98.5	142.9	125.4	-	190.5	31.8	63.8	23.5	16
80	101.6	142.9	125.4	-	190.5	31.8	63.8	23.5	16
85	108.0	152.4	135.0	-	203.2	31.8	63.8	23.5	16
90	114.3	171.5	150.8	127.0	215.9	31.8	47.7	19.6	20
95	117.5	171.5	150.8	127.0	215.9	31.8	47.7	19.6	20
100	123.9	188.9	168.3	136.5	228.6	31.8	47.7	19.6	20
115	142.9	211.1	186.6	155.6	254.0	31.8	47.7	19.6	22
120	142.9	211.1	186.6	155.6	254.0	31.8	47.7	19.6	22

DEMS 410-A04



Çalışma Limitleri

Basınç: ≤ 2.1 MPa

Hız: ≤ 25 m/s

Sıcaklık: $-40^{\circ}\text{C} \sim +204^{\circ}\text{C}$

Operating Limits

Pressure: ≤ 2.1 MPa

Speed: ≤ 25 m/s

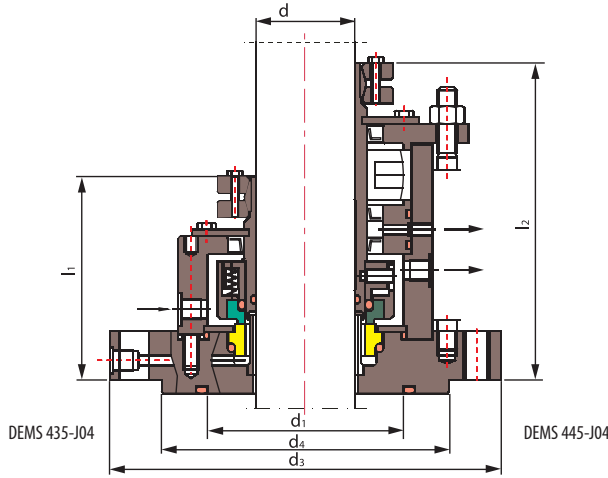
Temperature: $-40^{\circ}\text{C} \sim +204^{\circ}\text{C}$

- Döner Yüzey (SiC/Carbon/TC)
- Sabit Elemanlar (SiC/TC)
- Elastomer (VITON/EPDM/Kalrez)
- Diğer Parçalar (C-276/Duplex/316)
- Rotary Ring (SiC/Carbon/TC)
- Stationary Ring (SiC/TC)
- Secondary Seal (VITON/EPDM/Kalrez)
- Other Parts (C-276/Duplex/316)

144

d ₁ (inches)	d ₄	d ₆	d ₇	d ₈	d ₂₆	l ₁	l ₂	l ₃	h
1.000	1.625	2.937	2.375	-	4.125	1.209	2.020	0.927	1/2
1.125	1.750	2.937	2.375	-	4.250	1.209	2.020	0.927	1/2
1.250	1.875	3.062	2.500	-	4.375	1.209	2.020	0.927	1/2
1.375	2.000	3.186	2.625	-	4.375	1.209	2.020	0.927	1/2
1.500	2.250	3.375	2.832	-	5.000	1.090	2.226	0.852	1/2
1.625	2.375	3.375	2.832	-	5.000	1.090	2.226	0.852	1/2
1.750	2.500	3.562	3.022	-	5.250	1.090	2.226	0.852	1/2
1.875	2.625	3.562	3.022	-	5.250	1.090	2.226	0.852	1/2
2.000	2.750	3.937	3.386	-	5.500	1.150	2.250	0.852	1/2
2.125	2.875	4.375	3.687	-	5.750	1.150	2.250	0.852	5/8
2.250	3.000	4.375	3.687	-	5.750	1.150	2.250	0.852	5/8
2.375	3.125	4.625	3.937	-	6.000	1.150	2.250	0.852	5/8
2.500	3.375	5.000	4.312	-	7.000	1.250	2.510	0.926	5/8
2.625	3.500	5.000	4.312	-	7.000	1.250	2.510	0.926	5/8
2.750	3.625	5.000	4.312	-	7.000	1.250	2.510	0.926	5/8
2.875	3.750	5.625	4.937	-	7.500	1.250	2.510	0.926	5/8
3.000	3.875	5.625	4.937	-	7.500	1.250	2.510	0.926	5/8
3.125	4.000	5.625	4.937	-	7.500	1.250	2.510	0.926	5/8
3.250	4.125	6.000	5.312	-	8.000	1.250	2.510	0.926	5/8
3.375	4.250	6.000	5.312	-	8.000	1.250	2.510	0.926	5/8
3.500	4.375	6.000	5.312	-	8.000	1.250	2.510	0.926	5/8
3.625	4.500	6.750	5.937	5.000	8.500	1.250	1.877	0.769	3/4
3.750	4.625	6.750	5.937	5.000	8.500	1.250	1.877	0.769	3/4
3.875	4.750	6.750	5.937	5.000	8.500	1.250	1.877	0.769	3/4
4.000	4.875	7.437	6.625	5.375	9.000	1.250	1.877	0.769	3/4
4.625	5.625	8.312	7.345	6.125	10.000	1.250	1.877	0.769	7/8
4.750	5.625	8.312	7.345	6.125	10.000	1.250	1.877	0.769	7/8

DEMS 435-J04 / 445-J04



Çalışma Limitleri

Basınç: $\leq 0.6\text{MPa}$
 Hız: $\leq 1000\text{rpm}$
 Sıcaklık: $-60^{\circ}\text{C} \sim +260^{\circ}\text{C}$

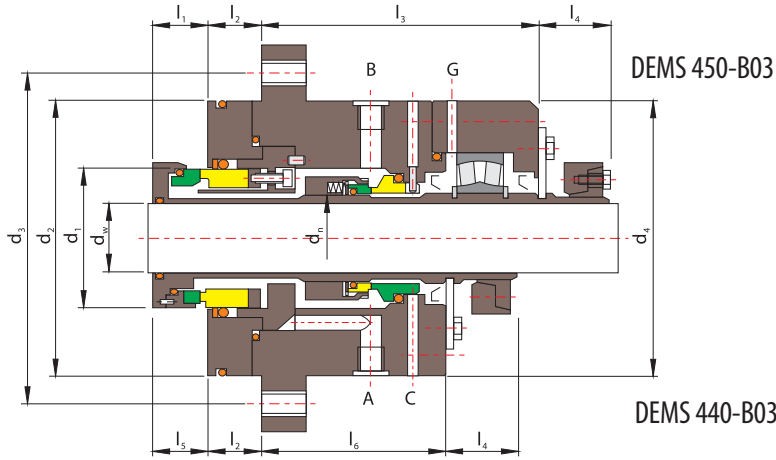
Operating Limits

Pressure: $\leq 0.6\text{MPa}$
 Speed: $\leq 1000\text{rpm}$
 Temperature: $-60^{\circ}\text{C} \sim +260^{\circ}\text{C}$

- Döner Yüzey (SiC/Carbon/TC)
- Rotary Ring(SiC/Carbon/TC)
- Sabit Eleman (SiC/Ceramic/TC)
- Stationary Ring(SiC/Ceramic/TC)
- Elastomer (VITON/Encapsulated Ring/PTFE)
- Secondary Seal(VITON/Encapsulated Ring/PTFE)
- Diğer Parçalar (SUS304/SUS316/Titanium/Hastelloy-C)
- Other Parts (SUS304/SUS316/Titanium/Hastelloy-C)

d (mm)	d ₁	d ₃	d ₄	l ₁	l ₂
40	91	175	110	115	165
50	107	240	176	115	175
60	120	240	176	125	195
80	149	275	204	140	215
100	174	305	234	140	230
125	199	330	260	160	255
140	218	395	313	170	275
160	237	395	313	170	275
180	263	445	364	190	300
200	288	445	364	190	320
220	326	505	422	200	335

DEMS 440-B03 / 450-B03



Çalışma Limitleri

Basınç: $\leq 1.4\text{MPa}/\leq 2.3\text{MPa}$

Hız: $\leq 10\text{m/s}/\leq 20\text{m/s}$

Sıcaklık: $-30^\circ\text{C}\sim+200^\circ\text{C}/-20^\circ\text{C}\sim+300^\circ\text{C}$

Operating Limits

Pressure: $\leq 1.4\text{MPa}/\leq 2.3\text{MPa}$

Speed: $\leq 10\text{m/s}/\leq 20\text{m/s}$

Temperature: $-30^\circ\text{C}\sim+200^\circ\text{C}/-20^\circ\text{C}\sim+300^\circ\text{C}$

- Döner Yüzey (SiC/Carbon/TC)
- Sabit Eleman (SiC/Ceramic/TC)
- Elastomer (VITON/Encapsulated Ring/KALREZ)
- Diğer Parçalar (SUS304/SUS316/Titanium/Hastelloy-C)
- Rotary Ring(SiC/Carbon/TC)
- Stationary Ring(SiC/Ceramic/TC)
- Secondary Seal(VITON/Encapsulated Ring/KALREZ)
- Other Parts (SUS304/SUS316/Titanium/Hastelloy-C)

dn (mm)	dw	d1	d2	d3	d4	l1	l2	l3	l4	l5	l6	A,B	C
30	20	52	117	140	118	35	30	114	30	22	75	G3/8	G1/8
35	25	58	124	150	128	35	30	127	30	22	85	G3/8	G1/8
40	30	62	134	165	138	35	30	129	30	24	87	G3/8	G1/8
45	35	68	140	175	148	35	30	130	30	24	87	G3/8	G1/8
50	40	75	145	175	148	35	30	133	34	26	90	G3/8	G1/8
55	45	82.7	150	175	148	35	30	135	34	26	90	G3/8	G1/8
60	50	85	160	185	158	41	30	150	34	30	105	G3/8	G1/8
65	50	90	170	195	168	41	30	160	34	30	105	G3/8	G1/8
70	55	95	175	205	178	41	30	160	34	30	105	G3/8	G1/8
75	60	100	180	205	178	41	30	160	34	30	105	G3/8	G1/8
80	65	110	190	220	188	41	40	190	44	30	105	G3/8	G1/8
85	70	115	195	230	198	41	40	190	44	30	105	G3/8	G1/8
90	75	120	200	230	198	41	40	190	44	30	105	G3/8	G1/8
95	80	127	205	235	203	41	40	190	44	30	105	G3/8	G1/8
100	80	130	210	240	208	41	40	190	44	30	105	G3/8	G1/8
105	85	135	215	250	218	41	40	190	44	30	105	G1/2	G1/4
110	90	140	230	260	228	41	40	190	44	31	110	G1/2	G1/4
115	95	145	235	270	238	41	40	190	44	31	110	G1/2	G1/4
120	100	150	240	270	238	42	40	200	50	31	120	G1/2	G1/4
130	110	160	255	290	258	42	40	200	50	31	120	G1/2	G1/4
140	120	172	265	305	268	43	50	220	50	41	130	G1/2	G1/4
150	130	185	275	315	278	43	50	220	50	41	130	G1/2	G1/4
160	140	195	290	335	298	43	50	220	50	41	130	G1/2	G1/4
170	150	205	300	335	323	47	50	220	50	45	130	G1/2	G1/4
180	160	220	330	355	358	47	50	250	50	45	140	G1/2	G1/4
190	170	230	345	375	358	47	50	250	55	45	140	G1/2	G1/4
200	180	240	365	395	378	47	50	250	55	45	140	G1/2	G1/4
210	190	260	385	415	378	50	50	250	55	45	140	G1/2	G1/4
220	190	270	395	425	388	50	50	250	55	45	140	G1/2	G1/4
230	200	280	395	425	388	50	50	300	55	45	160	G1/2	G1/4

DEMS 435 / 440 / 445 / 450

Çalışma Limitleri

Basınç: $\leq 0.6\text{MPa}/\leq 1.6\text{MPa}$

Hız: $\leq 2\text{m/s}/\leq 5\text{m/s}$

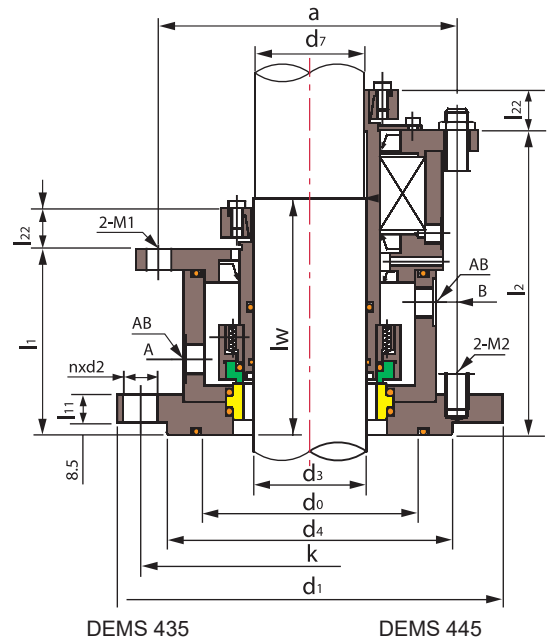
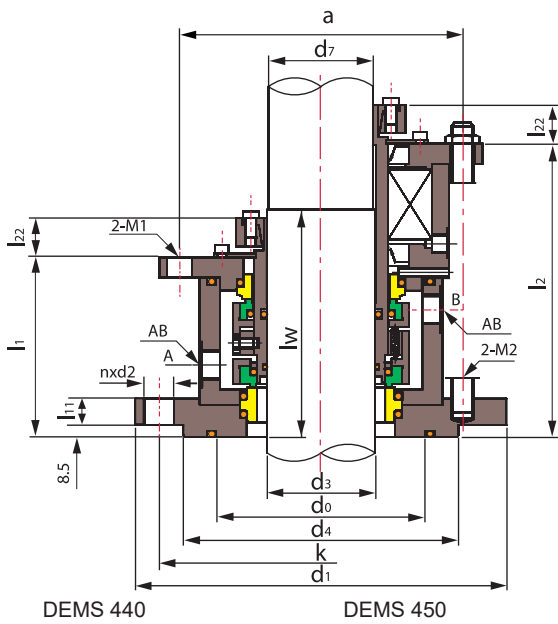
Sıcaklık: $-30^\circ\text{C}\sim+200^\circ\text{C}/-80^\circ\text{C}\sim+250^\circ\text{C}$

Operating Limits

Pressure: $\leq 0.6\text{MPa}/\leq 1.6\text{MPa}$

Speed: $\leq 2\text{m/s}/\leq 5\text{m/s}$

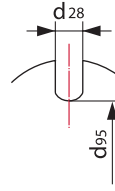
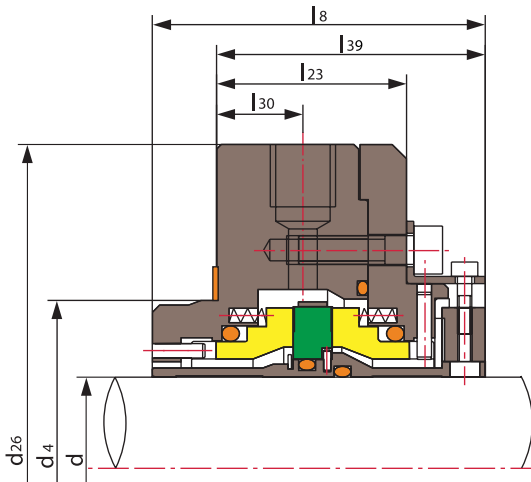
Temperature: $-30^\circ\text{C}\sim+200^\circ\text{C}/-80^\circ\text{C}\sim+250^\circ\text{C}$



- Döner Yüzey (SiC/Carbon/TC)
- Sabit Elemanlar(SiC/TC/Ceramic)
- Elastomer (VITON/Encapsulated Ring)
- Diğer Parçalar (SUS304/SUS316/Titanium/Hastelloy-C)
- Rotary Ring(SiC/Carbon/TC)
- Stationary Ring(SiC/TC/Ceramic)
- Secondary Seal(VITON/Encapsulated Ring)
- Other Parts(SUS304/SUS316/Titanium/Hastelloy-C)

d_3^1 (mm)	d_7^1	d_1	$n \times d_2$	d_4	d_0	k	l_1	l_2	lw^2	l_{11}	l_{22}	a	M_1	M_2	A,B
40	38	175	4x18	110	90	145	110.5	159.5	143	15	28	122	M12	M16	G3/8
50	48	240	8x18	176	135	210	114.5	174.5	148	17	28	157	M12	M16	G3/8
60	58	240	8x18	176	135	210	119.0	181.5	158	17	28	168	M12	M16	G3/8
80	78	275	8x22	204	155	240	133.0	217.5	168	20	34	203	M16	M20	G1/2
100	98	305	8x22	234	190	270	137.5	218.5	178	20	34	228	M16	M20	G1/2
125	120	330	8x22	260	215	295	138.5	233.5	203	20	40	268	M20	M20	G1/2
140	135	395	12x22	313	250	350	152.5	250.5	208	20	40	285	M20	M20	G1/2
160	150	395	12x22	313	265	350	161.0	253.0	213	25	40	297	M20	M20	G1/2
180	170	445	12x22	364	310	400	166.0	263.5	233	25	45	332	M24	M20	G1/2
200	190	445	12x22	364	310	400	171.0	271.0	243	25	45	352	M24	M20	G1/2
220	210	505	16x22	422	340	460	\	\	263	25	\	\	M24	M20	G1/2

DEMS 1065-J01



Çalışma Limitleri

Basınç: $\leq 1.6\text{MPa}$
 Hız: $\leq 25\text{m/s}$
 Sıcaklık: $-20^{\circ}\text{C} \sim +260^{\circ}\text{C}$

Operating Limits

Pressure: $\leq 1.6\text{MPa}$
 Speed: $\leq 25\text{m/s}$
 Temperature: $-20^{\circ}\text{C} \sim +260^{\circ}\text{C}$

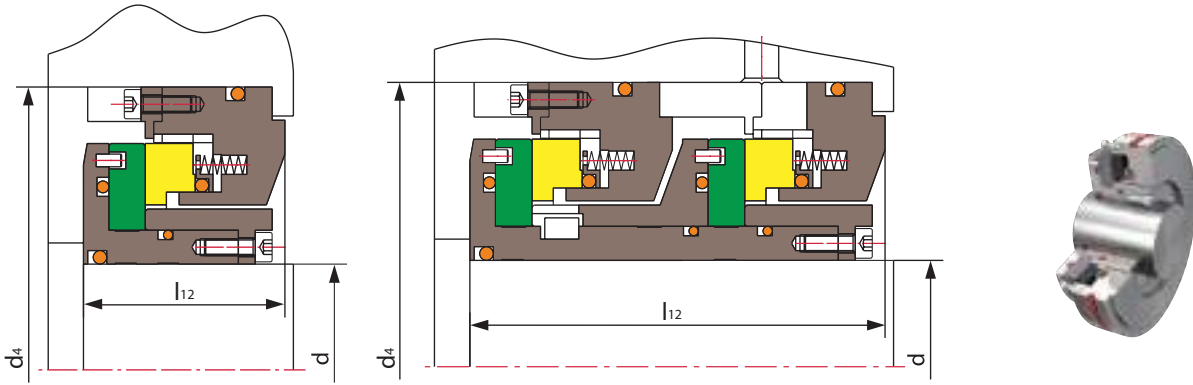
- Döner Yüzey (SiC/TC)
- Sabit Eleman (Carbon)
- Elastomer (VITON/Encapsulated Ring/PTFE/EPDM/Kalrez)
- Diğer Parçalar (SUS304/SUS316)

- Rotary Ring (SiC/TC)
- Stationary Ring (Carbon)
- Secondary Seal(VITON/Encapsulated Ring/PTFE/EPDM/Kalrez)
- Other Parts(SUS304/SUS316)

148

d (mm)	d ⁴ min	d ₂₆	d ₂₈	d ₉₅	l ₈	l ₂₃	l ₃₀	l ₃₉	d (inches)	d ⁴ min	d ₂₆	d ₂₈	d ₉₅	l ₈	l ₂₃	l ₃₀	l ₃₉
25	41	114	12	64.7	67.8	37.5	15.5	54.5	0.875	1.500	3.750	0.437	2.295	2.574	1.398	0.513	2.028
28	44	117	12	67.7	67.8	37.5	15.5	54.5	1.000	1.625	3.750	0.437	2.421	2.574	1.398	0.513	2.028
30	46	119	12	69.7	67.8	37.5	15.5	54.5	1.125	1.750	4.250	0.437	2.469	2.574	1.398	0.513	2.028
33	49	122	14	72.7	67.8	37.5	15.5	54.5	1.250	2.000	4.250	0.437	2.669	2.574	1.398	0.513	2.028
35	51	124	14	74.7	67.8	37.5	15.5	54.5	1.375*	2.125	4.250	0.437	2.795	2.574	1.398	0.513	2.028
38	58	135	14	79.7	69.4	39.8	17.7	56.5	1.375**	2.000	4.250	0.437	2.795	2.574	1.398	0.513	2.028
40	60	137	14	81.7	69.4	39.8	17.7	56.5	1.500	2.250	4.875	0.562	3.142	2.732	1.567	0.697	2.224
43	63	140	14	84.7	69.4	39.8	17.7	56.5	1.625	2.375	4.500	0.437	2.680	2.732	1.567	0.697	2.224
45	65	142	14	86.7	69.4	39.8	17.7	56.5	1.750	2.500	5.500	0.562	3.390	2.732	1.567	0.697	2.224
50	70	147	18	91.7	69.4	41.8	17.7	56.5	1.875	2.625	5.500	0.562	3.335	2.732	1.567	0.697	2.224
53	73	150	18	94.7	69.4	41.8	17.7	56.5	2.000	2.750	4.750	0.562	3.461	2.732	1.567	0.697	2.224
55	75	152	18	96.7	69.4	41.8	17.7	56.5	2.125	2.875	6.000	0.687	3.768	2.732	1.567	0.697	2.224
60	85	157	18	101.7	69.4	41.8	17.7	56.5	2.250	3.125	6.500	0.687	3.890	2.732	1.567	0.697	2.224
65	90	180	18	106.7	71.4	43.8	19.7	58.5	2.375	3.250	6.250	0.687	4.016	2.732	1.567	0.697	2.224
80	109	195	18	121.7	71.4	43.8	19.7	58.5	2.500	3.375	6.500	0.687	4.142	2.812	1.724	0.776	2.303
100	129	215	22	141.7	71.4	43.8	19.7	58.5	2.625	3.625	6.500	0.687	4.268	2.812	1.724	0.776	2.303
									2.750	3.750	7.000	0.687	4.370	2.812	1.724	0.776	2.303
									3.000	4.000	7.000	0.687	4.642	2.812	1.724	0.776	2.303
									3.500	4.500	7.250	0.812	5.142	2.812	1.724	0.776	2.303
									4.000	5.000	7.250	0.812	5.642	2.812	1.724	0.776	2.303

DEMS DGS-J02



Çalışma Limitleri

Basınç: ≤ 12.4 MPa
 Hız: ≤ 180 m/s
 Sıcaklık: $-20^{\circ}\text{C} \sim 260^{\circ}\text{C}$

Operating Limits

Pressure: ≤ 12.4 MPa
 Speed: ≤ 180 m/s
 Temperature: $-20^{\circ}\text{C} \sim 260^{\circ}\text{C}$

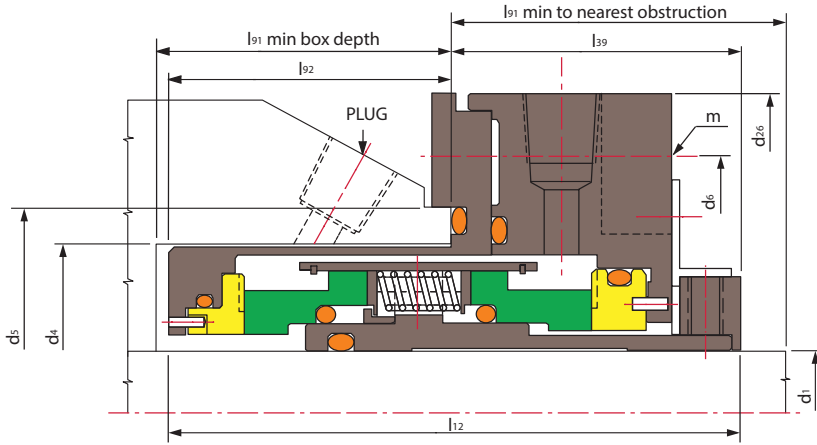
- Döner Yüzey (SiC/TC)
- Sabit Eleman (Carbon/SiC)
- Elastomer (VITON/Encapsulated Ring/PTFE/EPDM/Kalrez)
- Diğer Parçalar (SUS304/SUS316)

- Rotary Ring (SiC/TC)
- Stationary Ring (Carbon/SiC)
- Secondary Seal (VITON/Encapsulated Ring/PTFE/EPDM/Kalrez)
- Other Parts (SUS304/SUS316)

Seal size (mm)	d Shaft Range	d ₄	l ₁₂ Single Min	l ₁₂ Tandem Min
56	25.4-29.0	104.8	46.4	99.2
62	29.0-34.9	111.9	46.8	99.2
68	35.0-41.3	119.5	47.2	99.6
75	41.3-46.8	126.2	47.2	99.6
81	46.8-53.2	133.7	47.6	100.0
87	53.2-59.5	140.9	48.4	100.4
94	59.5-65.1	148.0	48.8	100.8
100	65.1-71.4	155.2	48.8	100.8
106	71.4-77.0	162.3	49.2	101.2
113	77.0-82.9	169.4	50.0	101.6
119	83.0-88.9	177.0	50.0	101.6
125	88.9-94.8	183.7	50.8	102.8
132	94.9-101.2	191.3	51.6	104.4
138	101.2-107.1	198.4	52.0	104.8
144	107.2-113.1	205.6	52.8	106.3
151	113.1-119.0	212.7	53.6	108.0
156	119.1-123.4	217.9	54.8	109.5
162	123.4-129.8	225.4	55.1	110.7
168	129.8-135.7	232.6	55.5	111.5
175	135.7-141.7	239.7	56.3	112.3
181	141.7-147.6	246.8	57.2	114.3
187	147.7-153.6	254.0	57.9	115.9
194	153.6-159.9	261.1	58.7	117.5
200	159.9-165.9	268.7	59.5	119.0
206	165.9-171.8	277.8	59.9	119.5
213	171.9-177.4	285.3	60.7	121.0
219	177.4-183.3	292.1	61.5	122.2
225	183.4-189.7	299.6	62.3	123.8
232	189.7-195.7	306.8	63.1	125.4
238	195.7-201.6	313.9	63.5	126.2
244	201.6-207.5	321.1	64.3	127.8
251	207.6-213.5	328.2	65.1	129.4
257	213.5-219.9	335.4	65.5	130.2

Seal size (inches)	d Shaft Range	d ₄	l ₁₂ Single Min	l ₁₂ Tandem Min
2.187	1.000-1.140	4.125	1.828	3.906
2.437	1.141-1.375	4.406	1.843	3.906
2.687	1.376-1.625	4.703	1.859	3.921
2.937	1.626-1.843	4.968	1.859	3.921
3.187	1.844-2.093	5.265	1.875	3.937
3.437	2.094-2.343	5.546	1.906	3.953
3.687	2.344-2.562	5.828	1.921	3.968
3.937	2.563-2.812	6.109	1.921	3.968
4.187	2.813-3.031	6.390	1.937	3.984
4.437	3.032-3.265	6.671	1.968	4.000
4.687	3.266-3.500	6.968	1.968	4.000
4.937	3.501-3.734	7.234	2.000	4.046
5.187	3.735-3.984	7.531	2.031	4.109
5.437	3.985-4.218	7.812	2.046	4.125
5.687	4.219-4.453	8.093	2.078	4.187
5.937	4.454-4.687	8.375	2.109	4.250
6.125	4.688-4.859	8.578	2.156	4.312
6.375	4.860-5.109	8.875	2.171	4.359
6.625	5.110-5.343	9.156	2.187	4.390
6.875	5.344-5.578	9.437	2.218	4.421
7.125	5.579-5.812	9.718	2.250	4.500
7.375	5.813-6.046	10.000	2.281	4.562
7.625	6.047-6.296	10.281	2.312	4.625
7.875	6.297-6.531	10.578	2.343	4.687
8.125	6.532-6.765	10.937	2.359	4.703
8.375	6.766-6.984	11.234	2.390	4.765
8.625	6.985-7.218	11.500	2.421	4.812
8.875	7.219-7.468	11.796	2.453	4.875
9.125	7.469-7.703	12.078	2.484	4.937
9.375	7.704-7.937	12.359	2.500	4.968
9.625	7.938-8.171	12.640	2.531	5.031
9.875	8.172-8.406	12.921	2.562	5.093
10.125	8.407-8.656	13.203	2.578	5.125

DEMS DGS-J03



Çalışma Limitleri

Basınç: ≤ 2.1 MPa
 Hız: ≤ 1450 rpm
 Sıcaklık: $-20^{\circ}\text{C} \sim +260^{\circ}\text{C}$

Operating Limits

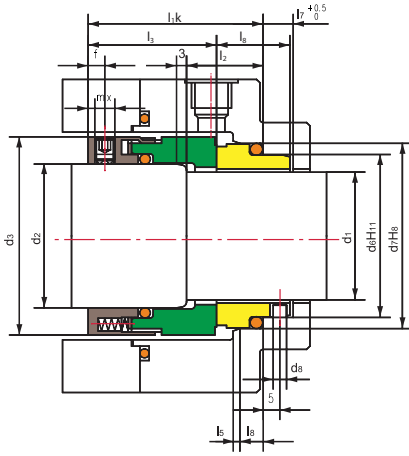
Pressure: ≤ 2.1 MPa
 Speed: ≤ 1450 rpm
 Temperature: $-20^{\circ}\text{C} \sim +260^{\circ}\text{C}$

- Döner Yüzey (SiC/TC)
- Sabit Eleman (Carbon/SiC)
- Elastomer (VITON/Encapsulated Ring/PTFE/EPDM/Kalrez)
- Diğer Parçalar (SUS304/SUS316)
- Rotary Ring(Carbon)
- Stationary Ring(SiC / TC)
- Secondary Seal(VITON/Encapsulated Ring/PTFE/EPDM/Kalrez)
- Other Parts(SUS304/SUS316)

seal size (inches)	d ₁	d ₂	d ₂₆	l ₁₂	l ₃₉	l ₉₀	l ₉₁	l ₉₂	d ₅	m	d ₆
1.125	28.58	66.68	114.30	109.52	57.15	58.72	56.37	52.37	79.38	M10	95.25
1.375	34.93	73.03	127.00	103.20	52.40	60.33	54.80	50.80	85.73	M10	101.60
1.500	38.10	76.20	139.70	103.20	50.80	60.33	56.40	52.40	95.20	M12	114.30
1.625	41.28	85.73	136.53	119.67	53.67	69.00	70.00	66.00	98.43	M10	112.70
1.750	44.45	88.90	165.10	119.93	65.96	71.42	57.97	53.97	110.24	M12	139.70
1.875	47.63	92.08	149.23	132.94	78.54	92.08	58.41	54.41	104.78	M12	127.00
2.000	50.80	95.25	146.05	116.65	64.28	65.07	56.37	52.37	111.13	M10	127.00
2.125	53.98	98.42	180.98	118.30	65.17	72.21	57.13	53.13	119.66	M16	152.40
2.375	60.33	107.95	180.98	117.04	55.5	64.29	65.49	61.49	133.35	M16	152.40
2.500	63.50	114.30	200.03	117.09	52.39	73.03	68.70	64.70	138.56	M16	171.45
2.625	66.68	117.48	177.80	117.05	52.35	103.17	68.70	64.70	130.18	M12	152.40
2.750	69.85	120.65	200.03	124.82	62.92	72.39	65.90	61.9	138.56	M16	171.45
3.000	76.20	127.00	203.20	124.99	67.84	121.44	61.15	57.15	146.05	M16	171.45
3.250	82.55	133.35	195.25	131.33	71.00	119.99	64.33	60.33	146.05	M16	165.00
3.500	88.90	142.88	210.34	142.44	82.11	133.35	64.33	60.33	158.75	M16	177.80
3.750	95.25	152.4	239.70	147.65	65.15	82.55	86.50	82.50	171.40	M16	209.55
4.000	101.6	158.75	248.00	157.47	113.17	127.00	48.30	44.30	185.00	M20	215.00

seal size (mm)	d ₁	d ₂	d ₂₆	l ₁₂	l ₃₉	l ₉₀	l ₉₁	l ₉₂	d ₅	m	d ₆
28	28	66.68	114.30	109.52	57.15	58.72	56.37	52.37	79.38	M10	95.25
35	35	73.03	127.00	103.20	52.40	60.33	54.80	50.80	85.73	M10	101.60
38	38	76.20	139.70	103.20	50.80	60.33	56.40	52.40	95.20	M12	114.30
40	40	85.73	136.53	119.67	53.67	69.00	70.00	66.00	98.43	M10	112.70
45	45	88.90	165.10	119.93	65.96	71.42	57.97	53.97	110.24	M12	139.70
48	48	92.08	149.23	132.94	78.54	92.08	58.41	54.41	104.78	M12	127.00
50	50	95.25	146.05	116.65	64.28	65.07	56.37	52.37	111.13	M10	127.00
55	55	98.42	180.98	118.30	65.17	72.21	57.13	53.13	119.66	M16	152.40
60	60	107.95	180.98	117.04	55.5	64.29	65.49	61.49	133.35	M16	152.40
63	63	114.30	200.03	117.09	52.39	73.03	68.70	64.70	138.56	M16	171.45
65	65	117.48	177.80	117.05	52.35	103.17	68.70	64.70	130.18	M12	152.40
70	70	120.65	200.03	124.82	62.92	72.39	65.90	61.9	138.56	M16	171.45
75	75	127.00	203.20	124.99	67.84	121.44	61.15	57.15	146.05	M16	171.45
80	80	133.35	195.25	131.33	71.00	119.99	64.33	60.33	146.05	M16	165.00
90	90	142.88	210.34	142.44	82.11	133.35	64.33	60.33	158.75	M16	177.80
95	95	152.4	239.70	147.65	65.15	82.55	86.50	82.50	171.40	M16	209.55
100	100	158.75	248.00	157.47	113.17	127.00	48.30	44.30	185.00	M20	215.00

DEMS DGS-B01



Çalışma Limitleri

Basınç: $\leq 2.5\text{MPa}$
 Hız: $\leq 25\text{m/s}$
 Sıcaklık: $-20^\circ\text{C} \sim +260^\circ\text{C}$

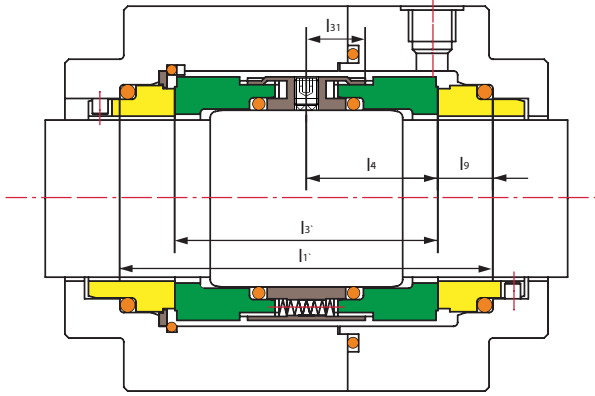
Operating Limits

Pressure: $\leq 2.5\text{MPa}$
 Speed: $\leq 25\text{m/s}$
 Temperature: $-20^\circ\text{C} \sim +260^\circ\text{C}$

- Döner Yüzey (Carbon/SiC)
- Sabit Eleman (SiC)
- Elastomer (VITON/Encapsulated Ring/PTFE/EPDM/Kalrez)
- Diğer Parçalar (SUS304/SUS316)
- Rotary Ring (Carbon/SiC)
- Stationary Ring (SiC)
- Secondary Seal(VITON/Encapsulated Ring/PTFE/EPDM/Kalrez)
- Other Parts(SUS304/SUS316)

d_1 (mm)	d_2	d_3	d_6	d_7	d_8	$l_{1,k}$	l_1'	l_2	l_3	l_3'	l_4	l_5	l_6	l_7	l_8	l_9	l_{31}	f	mx
28	33	48	37	43	3	50	89	20	38.5	66	33	2	5	9	19.5	11.5	16.5	5	M6
30	35	50	39	45	3	50	89	20	38.5	66	33	2	5	9	19.5	11.5	16.5	5	M6
32	38	55	42	48	3	50	89	20	38.5	66	33	2	5	9	19.5	11.5	16.5	5	M6
33	38	55	42	48	3	50	89	20	38.5	66	33	2	5	9	19.5	11.5	16.5	5	M6
35	40	57	44	50	3	50	89	20	38.5	66	33	2	5	9	19.5	11.5	16.5	5	M6
38	43	60	49	56	4	52.5	95	23	38.5	67	33.5	2	6	9	22	14	16.5	5	M6
40	45	62	51	58	4	52.5	95	23	38.5	67	33.5	2	6	9	22	14	16.5	5	M6
43	48	65	54	61	4	52.5	95	23	38.5	67	33.5	2	6	9	22	14	16.5	5	M6
45	50	67	56	63	4	52.5	95	23	38.5	67	33.5	2	6	9	22	14	16.5	5	M6
48	53	70	59	66	4	52.5	95	23	38.5	67	33.5	2	6	9	22	14	16.5	5	M6
50	55	72	62	70	4	57.5	99	25	42.5	69	34.5	2.5	6	9	23	15	16.5	5	M6
53	58	79	65	73	4	57.5	104	25	42.5	74	37	2.5	6	9	23	15	17	5	M6
55	60	81	67	75	4	57.5	106	25	42.5	76	38	2.5	6	9	23	15	17	5	M6
58	63	84	70	78	4	62.5	112	25	47.5	82	41	2.5	6	9	23	15	19	7	M8
60	65	86	72	80	4	62.5	112	25	47.5	82	41	2.5	6	9	23	15	19	7	M8
63	68	89	75	83	4	62.5	112	25	47.5	82	41	2.5	6	9	23	15	19	7	M8
65	70	91	77	85	4	62.5	112	25	47.5	82	41	2.5	6	9	23	15	19	7	M8
70	75	99	83	92	4	70	118	28	52	82	41	2.5	7	9	26	18	19	7	M8
75	80	104	88	97	4	70	120	28	52	84	42	2.5	7	9	26	18	19	7	M8
80	85	109	95	105	4	70	120	28	51.8	83.6	41.8	3	7	9	26.2	18.2	19	7	M8
85	90	114	100	110	4	75	120	28	56.8	83.6	41.8	3	7	9	26.2	18.2	19	7	M8
90	95	119	105	115	4	75	120	28	56.8	83.6	41.8	3	7	9	26.2	18.2	19	7	M8
95	100	124	110	120	4	75	120	28	57.8	85.6	42.8	3	7	9	25.2	17.2	19	7	M8
100	105	129	115	125	4	75	120	28	57.8	85.6	42.8	2	7	9	25.2	17.2	19	7	M8
105	115	148	122.2	134.3	5	73	133	32	53	93	46.5	2	10	\	30	20	22.5	7	M8
110	120	153	128.2	140.3	5	73	133	32	53	93	46.5	2	10	\	30	20	22.5	7	M8
115	125	158	136.2	148.3	5	73	133	32	53	93	46.5	2	10	\	30	20	22.5	7	M8
120	130	163	138.2	150.3	5	73	133	32	53	93	46.5	2	10	\	30	20	22.5	7	M8
125	135	168	142.2	154.3	5	73	133	32	53	93	46.5	2	10	\	30	20	22.5	7	M8

DEMS DGS-B02



Çalışma Limitleri

Basınç: $\leq 2.3\text{MPa}$
 Hız: $\leq 25\text{m/s}$
 Sıcaklık: $-20^{\circ}\text{C} \sim +260^{\circ}\text{C}$

Operating Limits

Pressure: $\leq 2.3\text{MPa}$
 Speed: $\leq 25\text{m/s}$
 Temperature: $-20^{\circ}\text{C} \sim +260^{\circ}\text{C}$

- Döner Yüzey (Carbon/SiC)
- Sabit Eleman (SiC)
- Elastomer (VITON/Encapsulated Ring/PTFE/EPDM/Kalrez)
- Diğer Parçalar (SUS304/SUS316)
- Rotary Ring (Carbon/SiC)
- Stationary Ring (SiC)
- Secondary Seal(VITON/Encapsulated Ring/PTFE/EPDM/Kalrez)
- Other Parts(SUS304/SUS316)

152

d ₁ (mm)	d ₂	d ₃	d ₆	d ₇	d ₈	l _{1,k}	l _{1'}	l ₂	l ₃	l _{3'}	l ₄	l ₅	l ₆	l ₇	l ₈	l ₉	l ₃₁	f	mx
28	33	48	37	43	3	50	89	20	38.5	66	33	2	5	9	19.5	11.5	16.5	5	M6
30	35	50	39	45	3	50	89	20	38.5	66	33	2	5	9	19.5	11.5	16.5	5	M6
32	38	55	42	48	3	50	89	20	38.5	66	33	2	5	9	19.5	11.5	16.5	5	M6
33	38	55	42	48	3	50	89	20	38.5	66	33	2	5	9	19.5	11.5	16.5	5	M6
35	40	57	44	50	3	50	89	20	38.5	66	33	2	5	9	19.5	11.5	16.5	5	M6
38	43	60	49	56	4	52.5	95	23	38.5	67	33.5	2	6	9	22	14	16.5	5	M6
40	45	62	51	58	4	52.5	95	23	38.5	67	33.5	2	6	9	22	14	16.5	5	M6
43	48	65	54	61	4	52.5	95	23	38.5	67	33.5	2	6	9	22	14	16.5	5	M6
45	50	67	56	63	4	52.5	95	23	38.5	67	33.5	2	6	9	22	14	16.5	5	M6
48	53	70	59	66	4	52.5	95	23	38.5	67	33.5	2	6	9	22	14	16.5	5	M6
50	55	72	62	70	4	57.5	99	25	42.5	69	34.5	2.5	6	9	23	15	16.5	5	M6
53	58	79	65	73	4	57.5	104	25	42.5	74	37	2.5	6	9	23	15	17	5	M6
55	60	81	67	75	4	57.5	106	25	42.5	76	38	2.5	6	9	23	15	17	5	M6
58	63	84	70	78	4	62.5	112	25	47.5	82	41	2.5	6	9	23	15	19	7	M8
60	65	86	72	80	4	62.5	112	25	47.5	82	41	2.5	6	9	23	15	19	7	M8
63	68	89	75	83	4	62.5	112	25	47.5	82	41	2.5	6	9	23	15	19	7	M8
65	70	91	77	85	4	62.5	112	25	47.5	82	41	2.5	6	9	23	15	19	7	M8
70	75	99	83	92	4	70	118	28	52	82	41	2.5	7	9	26	18	19	7	M8
75	80	104	88	97	4	70	120	28	52	84	42	2.5	7	9	26	18	19	7	M8
80	85	109	95	105	4	70	120	28	51.8	83.6	41.8	3	7	9	26.2	18.2	19	7	M8
85	90	114	100	110	4	75	120	28	56.8	83.6	41.8	3	7	9	26.2	18.2	19	7	M8
90	95	119	105	115	4	75	120	28	56.8	83.6	41.8	3	7	9	26.2	18.2	19	7	M8
95	100	124	110	120	4	75	120	28	57.8	85.6	42.8	3	7	9	25.2	17.2	19	7	M8
100	105	129	115	125	4	75	120	28	57.8	85.6	42.8	2	7	9	25.2	17.2	19	7	M8
105	115	148	122.2	134.3	5	73	133	32	53	93	46.5	2	10	\	30	20	22.5	7	M8
110	120	153	128.2	140.3	5	73	133	32	53	93	46.5	2	10	\	30	20	22.5	7	M8
115	125	158	136.2	148.3	5	73	133	32	53	93	46.5	2	10	\	30	20	22.5	7	M8
120	130	163	138.2	150.3	5	73	133	32	53	93	46.5	2	10	\	30	20	22.5	7	M8
125	135	168	142.2	154.3	5	73	133	32	53	93	46.5	2	10	\	30	20	22.5	7	M8

Sertifikalarımız





DEMİRKOL

Sızdırmazlık Elemanları Sanayi Ve Tic. Ltd. Şti.

Ürün Kataloglarımız



Beylikdüzü OSB. Mah. Birlik Sanayi Sitesi 3. Cad. No:123 34524 Beylikdüzü / İstanbul

T: +90 212 428 55 66 | +90 532 284 34 80 F: +90 212 428 57 94

info@demirkol.gen.tr | www.demirkol.gen.tr

