

DEMS 435 / 440 / 445 / 450

Çalışma Limitleri

Basınç: $\leq 0.6\text{MPa} / \leq 1.6\text{MPa}$

Hız: $\leq 2\text{m/s} / \leq 5\text{m/s}$

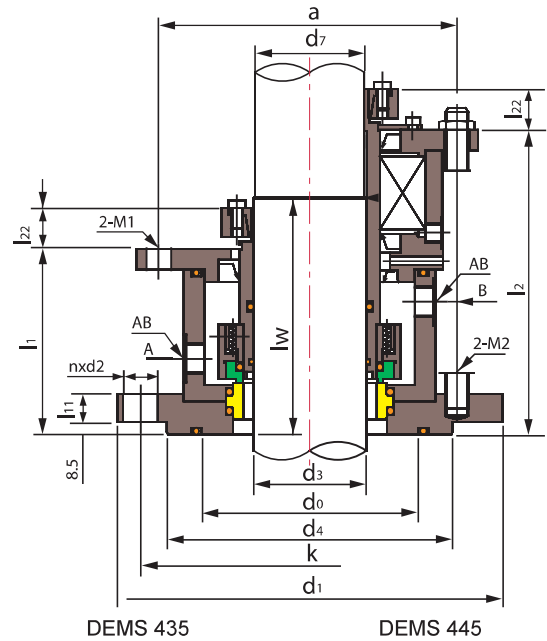
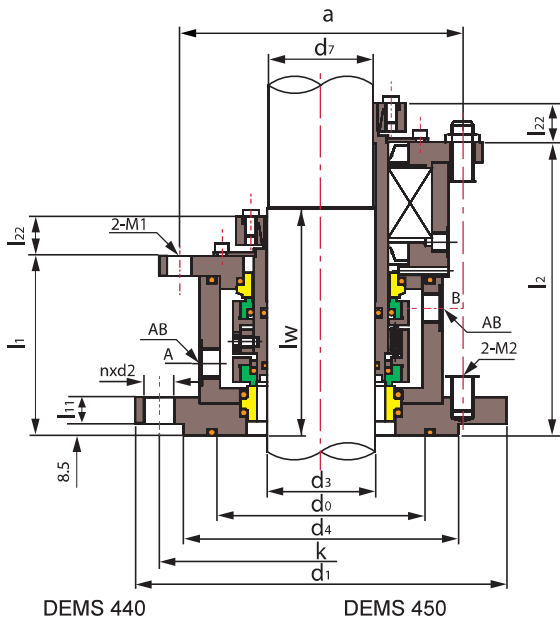
Sıcaklık: $-30^\circ\text{C} \sim +200^\circ\text{C} / -80^\circ\text{C} \sim +250^\circ\text{C}$

Operating Limits

Pressure: $\leq 0.6\text{MPa} / \leq 1.6\text{MPa}$

Speed: $\leq 2\text{m/s} / \leq 5\text{m/s}$

Temperature: $-30^\circ\text{C} \sim +200^\circ\text{C} / -80^\circ\text{C} \sim +250^\circ\text{C}$



- Döner Yüzey (SiC/Carbon/TC)
- Sabit Elemanlar(SiC/TC/Ceramic)
- Elastomer (VITON/Encapsulated Ring)
- Diğer Parçalar (SUS304/SUS316/Titanium/Hastelloy-C)
- Rotary Ring(SiC/Carbon/TC)
- Stationary Ring(SiC/TC/Ceramic)
- Secondary Seal(VITON/Encapsulated Ring)
- Other Parts(SUS304/SUS316/Titanium/Hastelloy-C)

d_3^1 (mm)	d_7^1	d_1	$n \times d_2$	d_4	d_0	k	l_1	l_2	lw^2	l_{11}	l_{22}	a	M_1	M_2	A,B
40	38	175	4x18	110	90	145	110.5	159.5	143	15	28	122	M12	M16	G3/8
50	48	240	8x18	176	135	210	114.5	174.5	148	17	28	157	M12	M16	G3/8
60	58	240	8x18	176	135	210	119.0	181.5	158	17	28	168	M12	M16	G3/8
80	78	275	8x22	204	155	240	133.0	217.5	168	20	34	203	M16	M20	G1/2
100	98	305	8x22	234	190	270	137.5	218.5	178	20	34	228	M16	M20	G1/2
125	120	330	8x22	260	215	295	138.5	233.5	203	20	40	268	M20	M20	G1/2
140	135	395	12x22	313	250	350	152.5	250.5	208	20	40	285	M20	M20	G1/2
160	150	395	12x22	313	265	350	161.0	253.0	213	25	40	297	M20	M20	G1/2
180	170	445	12x22	364	310	400	166.0	263.5	233	25	45	332	M24	M20	G1/2
200	190	445	12x22	364	310	400	171.0	271.0	243	25	45	352	M24	M20	G1/2
220	210	505	16x22	422	340	460	\	\	263	25	\	\	M24	M20	G1/2