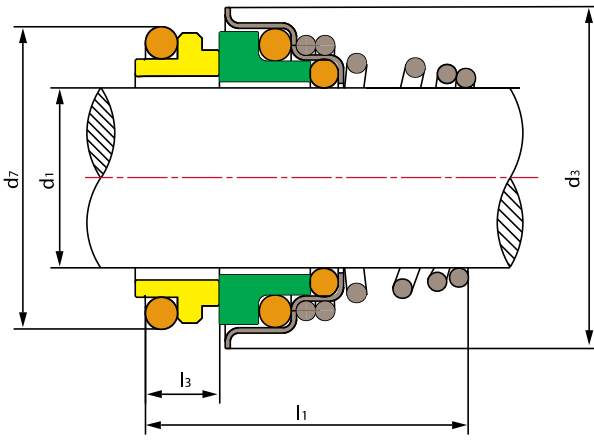


DEMS 130



Çalışma Limitleri

Basınç: $\leq 1\text{MPa}$
 Hız: $\leq 15\text{ m/s}$
 Sıcaklık: $-30^{\circ}\text{C} \sim +200^{\circ}\text{C}$

Operating Limits

Pressure: $\leq 1\text{MPa}$
 Speed: $\leq 15\text{ m/s}$
 Temperature: $-30^{\circ}\text{C} \sim +200^{\circ}\text{C}$

- Döner Yüzey (SiC/TC)
- Sabit Eleman (Plastic Carbon/Carbon/SiC/TC)
- Elastomer (NBR/EPDM/VITON)
- Yay & Diğer Parçalar (SUS304/SUS316)

- Rotary Ring (SiC/TC)
- Stationary Ring (Plastic Carbon/Carbon/SiC/TC)
- Secondary Seal (NBR/EPDM/VITON)
- Spring & Other Parts (SUS304/SUS316)

Model	d ₁ (mm)	d ₃	d ₇	l ₁	l ₃
DEMS 130-10	10	20.0	18.1	20.5	5.5
DEMS 130-11	11	22.0	20.6	23.5	5.5
DEMS 130-12	12	22.0	20.6	23.5	5.5
DEMS 130-13	13	25.0	23.1	28.0	6.0
DEMS 130-14	14	25.0	23.1	28.0	6.0
DEMS 130-15	15	29.0	26.9	30.0	7.0
DEMS 130-16	16	29.0	26.9	30.0	7.0
DEMS 130-17	17	29.0	26.9	30.0	7.0
DEMS 130-18	18	33.0	30.9	32.0	8.0
DEMS 130-19	19	33.0	30.9	33.0	8.0
DEMS 130-20	20	33.0	30.9	33.0	8.0
DEMS 130-21	21	38.0	35.4	33.0	8.0

Model	d ₁ (mm)	d ₃	d ₇	l ₁	l ₃
DEMS 130-22	22	38.0	35.4	33.0	8.0
DEMS 130-23	23	38.0	35.4	35.0	8.0
DEMS 130-24	24	38.0	35.4	35.0	8.0
DEMS 130-25	25	40.0	38.2	35.5	8.5
DEMS 130-28	28	46.0	43.3	39.0	9.0
DEMS 130-29	29	46.0	43.3	39.0	9.0
DEMS 130-30	30	46.0	43.3	39.0	9.0
DEMS 130-32	32	46.0	43.3	39.0	9.0
DEMS 130-33	33	50.0	53.5	50.5	11.5
DEMS 130-35	35	50.0	53.5	50.5	11.5
DEMS 130-38	38	60.5	60.5	50.5	11.5
DEMS 130-40	40	60.5	60.5	50.5	11.5