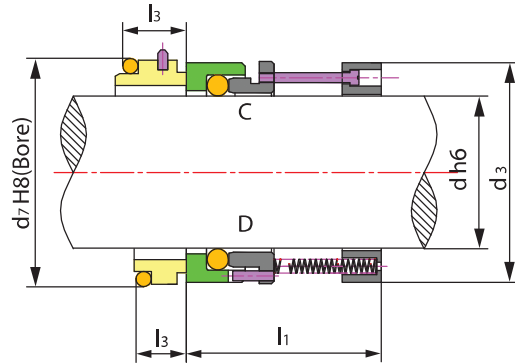
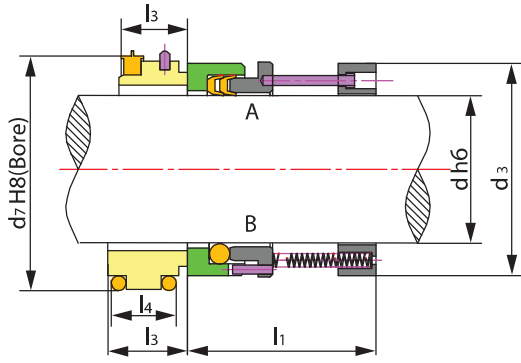


DEMS 57U



Çalışma Limitleri

Basınç: $\leq 1.2\text{MPa}$

Hız: $\leq 20\text{m/s}$

Sıcaklık: $-30^{\circ}\text{C} \sim +200^{\circ}\text{C}$

Operating Limits

Pressure: $\leq 1.2\text{MPa}$

Speed: $\leq 20\text{m/s}$

Temperature: $-30^{\circ}\text{C} \sim +200^{\circ}\text{C}$

- Döner Yüzey (99% Ceramic/SiC/TC)
- Sabit Eleman (Carbon/SiC)
- Elastomer (PTFE/ Viton)
- Yay & Vida (SUS304/SUS316)
- Diğer Parçalar (SUS304/SUS316)
- Pin ve Vida Seti (SUS304/SUS316)

- Rotary Ring (99% Ceramic/SiC/TC)
- Stationary Ring (Carbon/SiC)
- Secondary Seal (PTFE/ Viton)
- Spring & Screw (SUS304/SUS316)
- Other Parts (SUS304/SUS316)
- Pin And Set Screw (SUS304/SUS316)

Seal size d(mm)	d	d ₃	d ₇	l ₁	l ₃	l ₄	Type
25	25.0	39.0	50.0	34.0	19.5	\	C
28	28.0	45.0	54.0	30.2	28.0	21.3	B
35	35.0	52.0	64.0	32.5	28.0	21.3	B
40	40.0	57.0	70.0	32.0	28.0	21.3	B
55	55.0	73.0	75.0	30.0	16.5	\	D
60A	60.0	78.0	92.0	40.0	27.0	21.6	B
60B	60.0	78.0	92.0	44.0	27.0	21.6	B

Seal size (inches)	d	d ₃	d ₇	l ₁	l ₃	l ₄	Type
1 1/4"	31.75	46.0	50.800	42.0	26.5	\	D
1 3/8"	34.925	49.2	53.975	35.7	20.8	\	C
1 5/8"	41.275	58.5	60.325	45.0	16.2	\	D
1 3/4"	44.450	60.0	62.000	44.0	20.5	\	A
1 7/8"	47.625	65.0	66.675	38.9	20.8	\	C
2 1/8"	53.975	71.2	71.400	43.0	20.8	\	A