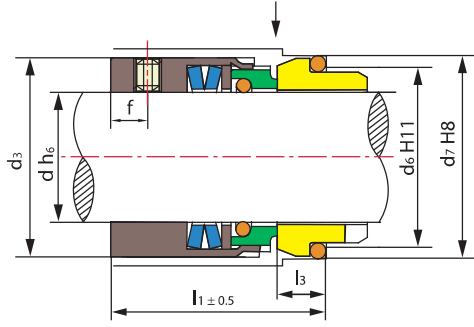


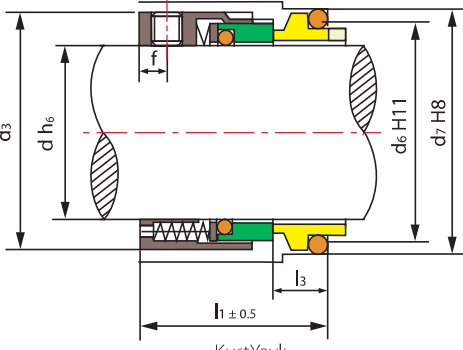
# DEMS 700-720



Yaprak Yaylı



Yaprak Yay Wave Spring



KurtYaylı



Kurt Yaylı Multiple Spring

## Çalışma Limitleri

Basınç:  $\leq 1.6\text{MPa}$

Hız:  $\leq 20\text{m/s}$

Sıcaklık:  $-30^{\circ}\text{C} \sim +200^{\circ}\text{C}$

## Operating Limits

Pressure:  $\leq 1.6\text{MPa}$

Speed:  $\leq 20\text{m/s}$

Temperature:  $-30^{\circ}\text{C} \sim +200^{\circ}\text{C}$

DEMS 700 alternatif sabit elemanları D9, D4, D6 ve D13

In this table, the seat is D9, D4, D6 and D13 seats are optional.

- Döner Yüzey (SiC/TC/Carbon)
- Sabit Eleman (Carbon/SiC/TC)
- Elastomer (VITON/Encapsulated Ring)
- Metal Aksam (SUS304/SUS316)
- Yay (17-7PH/SUS304/SUS316)
- Rotary Ring (SiC/TC/Carbon)
- Stationary Ring (Carbon/SiC/TC)
- Secondary Seal (VITON/Encapsulated Ring)
- Metal Parts (SUS304/SUS316)
- Spring (17-7PH/SUS304/SUS316)

Seal size d(mm)	d <sub>3</sub>	d <sub>6</sub>	d <sub>7</sub>	l <sub>1</sub>	l <sub>3</sub>
14	25	21	25	35.0	10.0
16	27	23	27	35.0	10.0
18	33	29	33	37.5	11.5
20	35	29	35	37.5	11.5
22	37	31	37	37.5	11.5
24	39	33	39	40.0	11.5
25	40	34	40	40.0	11.5
28	43	37	43	42.5	11.5
30	45	39	45	42.5	11.5
32	47	42	48	42.5	11.5
33	48	42	48	42.5	11.5
35	50	44	50	42.5	11.5
38	55	49	56	45.0	14.0
40	57	51	58	45.0	14.0
43	60	54	61	45.0	14.0
45	62	56	63	45.0	14.0

Seal size d(mm)	d <sub>3</sub>	d <sub>6</sub>	d <sub>7</sub>	l <sub>1</sub>	l <sub>3</sub>
48	65	59	66	45.0	14.0
50	67	62	70	47.5	15.0
53	70	65	73	47.5	15.0
55	72	67	75	47.5	15.0
58	79	70	78	52.5	15.0
60	81	72	80	52.5	15.0
63	84	75	83	52.5	15.0
65	86	77	85	52.5	15.0
68	89	81	90	52.5	18.0
70	91	83	92	60.0	18.0
75	99	88	97	60.0	18.0
80	104	95	105	60.0	18.2
85	109	100	110	60.0	18.2
90	114	105	115	65.0	18.2
95	119	110	120	65.0	17.2
100	124	115	125	65.0	17.2