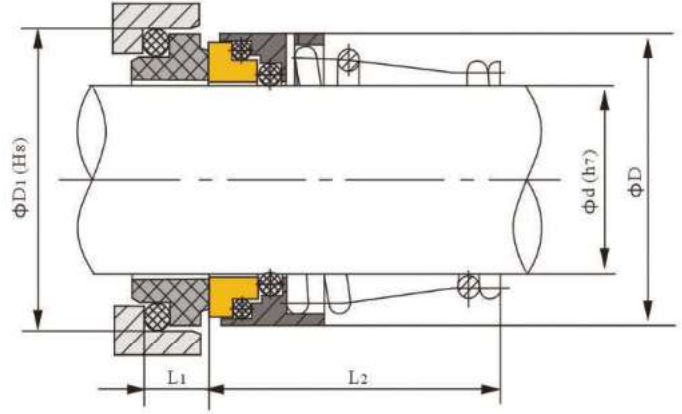


DEMS 50



Çalışma Limitleri

Basınç: $\leq 0.8\text{MPa}$
 Hız: $\leq 10\text{m/s}$
 Sıcaklık: $-20^{\circ}\text{C} \sim +100^{\circ}\text{C}$

Operating Limits

Pressure: $\leq 0.8\text{MPa}$
 Speed: $\leq 10\text{m/s}$
 Temperature: $-20^{\circ}\text{C} \sim +100^{\circ}\text{C}$

d	D	D ₁	L ₁	L ₂
10	19	18.1	5.5	20.2
11	22	20.6	5.5	22.2
12	22	20.6	5.5	22.2
13	24	23.1	6	27.2
14	24	23.1	6	27.2
15	28.5	26.9	7	27.2
16	28.5	26.9	7	28.2
17	28.5	26.9	7	28.2
18	32.5	30.9	8	30.2
19	32.5	30.9	8	30.2
20	32.5	30.9	8	30.2
21	37	35.4	8	30.2
22	37	35.4	8	30.2
23	37	35.4	8	32.2
24	37	35.4	8	32.2
25	40.5	38.2	8.5	33.2
26	40.5	38.2	8.5	33.2
27	40.5	38.2	8.5	33.2
28	46.5	43.3	9	36.2
29	46.5	43.3	9	37.2
30	46.5	43.3	9	37.2
31	46.5	43.3	9	37.2
32	46.5	43.3	9	37.2
33	56.5	53.5	11.5	48.2

d	D	D ₁	L ₁	L ₂
34	56.5	53.5	11.5	48.2
35	56.5	53.5	11.5	48.2
37	56.5	53.5	11.5	48.2
38	63	60.5	11.5	48.2
39	63	60.5	11.5	48.2
40	63.5	60.5	11.5	48.2
42	63.5	60.5	11.5	48.2
43	63.5	60.5	11.5	48.2
44	68.5	65.5	11.5	51.2
45	68.5	65.5	11.5	51.2
48	68.5	65.5	11.5	51.2
49	68.5	65.5	11.5	51.2
50	75	72.5	11.5	55.2
55	75	72.5	11.5	57.2
60	83	79.3	11.5	61.2
65	88	84.5	11.5	63.2
70	93	89.5	11.5	63.2
75	98	94.5	11.5	68.2
80	103	99.5	11.5	70.2
85	117	105.5	13.5	72.2
90	122	111.5	13.5	75.2
95	129	116.5	13.5	75.2
100	135	119.5	13.5	85.2