



STYLE 600 SLEVELESS

Sleeveless Seals System



Effective

Extended tapered bore design increases MTBF



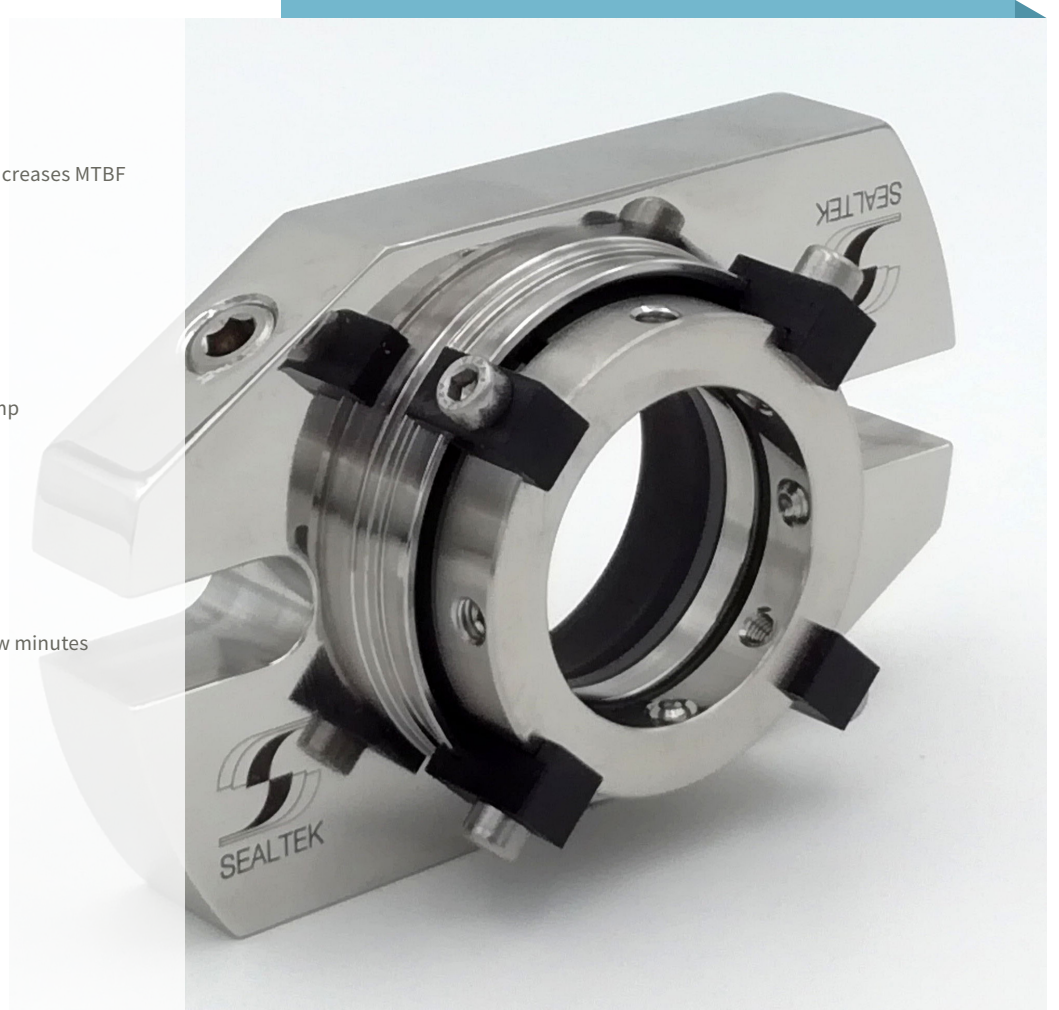
Versatile

Can be customized to fit any pump



Easy repair

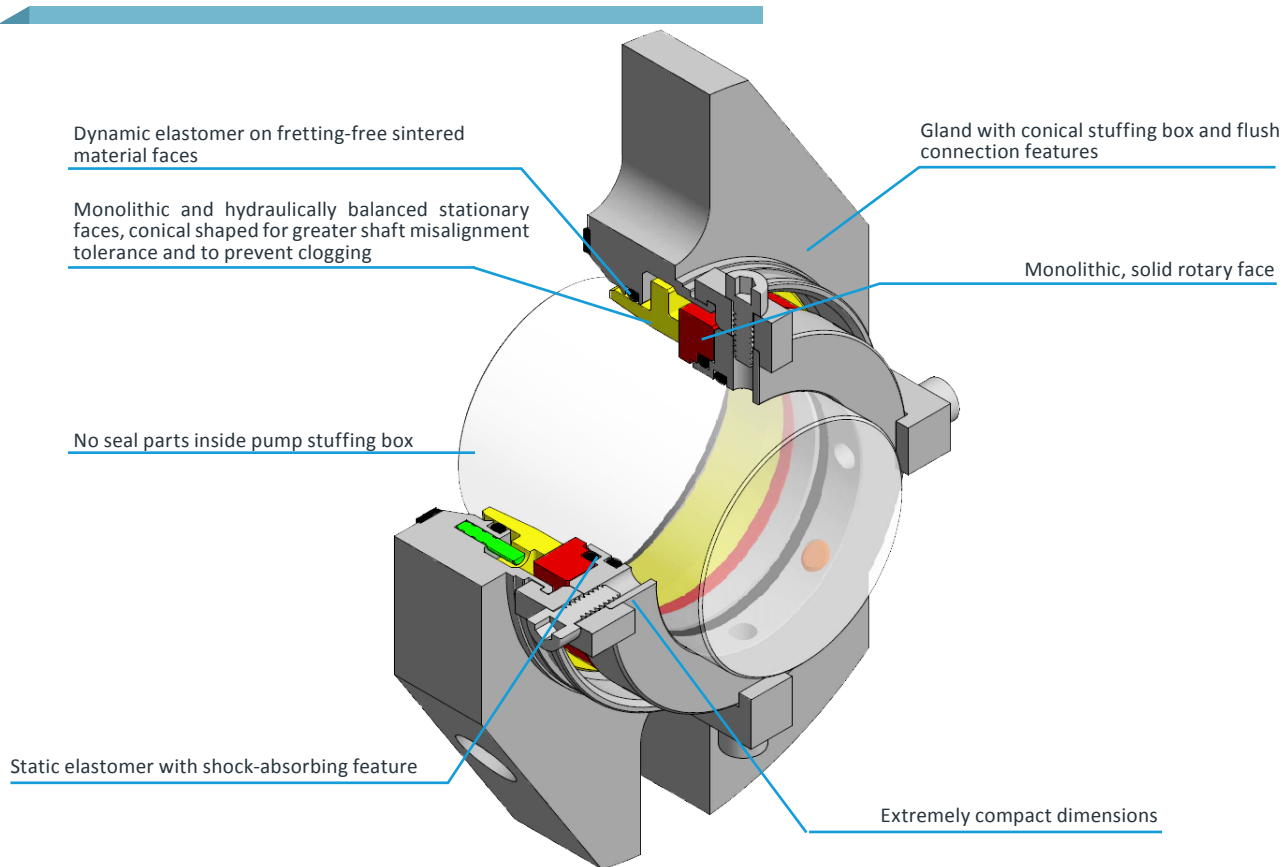
Wear parts can be replaced in few minutes



SEALING BEYOND EXPECTATIONS

Sealing Devices and Industrial Solutions





SEALTEK STYLE 600 SLEEVELESS CARTRIDGE SEALS **PATENT: EU1370506**



This revolutionary seal design is the result of the most intensive engineering and research. The first real innovation in the sealing market in many years.

Until now all mechanical cartridge seals have been designed with an integral shaft sleeve.

This revolutionary sleeveless design allows for installation on pumps where it was previously considered impossible to install a cartridge mounted seal.

The sleeveless design also allows for greater radial run-out of the shaft. The 600SL is first cartridge mechanical seal to incorporate a conical stuffing box design, allowing it to greatly improve seal life in slurry and dirty fluid applications. With no seal parts inside the stuffing box, slurry contamination cannot clog the seal greatly increasing seal life.

This new seal also incorporates a gland plate with flushing connection and large, solid seal faces manufactured from sintered materials mounted on flexible elastomers, which also act as shock absorbers. This seal offers great reliability under the harshest of working conditions.

The 600SL offers the user real benefits in terms cost savings of new seals, spare parts kits and most importantly MTBF! This is the only real innovation in the sealing market for many years!

Technical Data

Pressure Vacuum 700 mm Hg ÷ 3,5 MPa**

Temperature Up to elastomer limit.

FKM: +205°C; E.P.R.: +150°C; FFKM: +315°C

Speed 25m/sec Depending on materials of sliding faces

**Upon shaft diameter and speed

Materials

Sliding faces A - B - Q1 - Q2 - U2 - DIAMOND

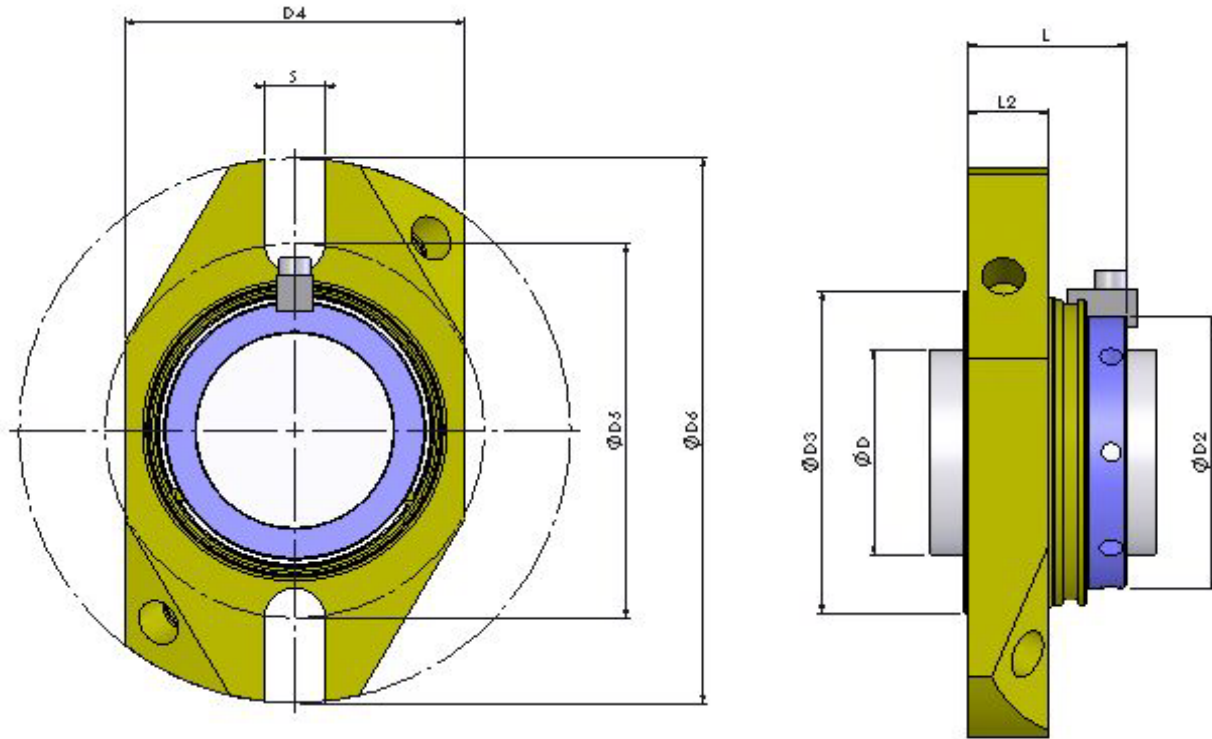
O-rings FKM - EPDM - FFKM - FEPM - TTV

Springs Hastelloy* C - 276

Metal parts Aisi 316 L
DIN 1.4571*

SLEVELESS CARTRIDGE SEALS

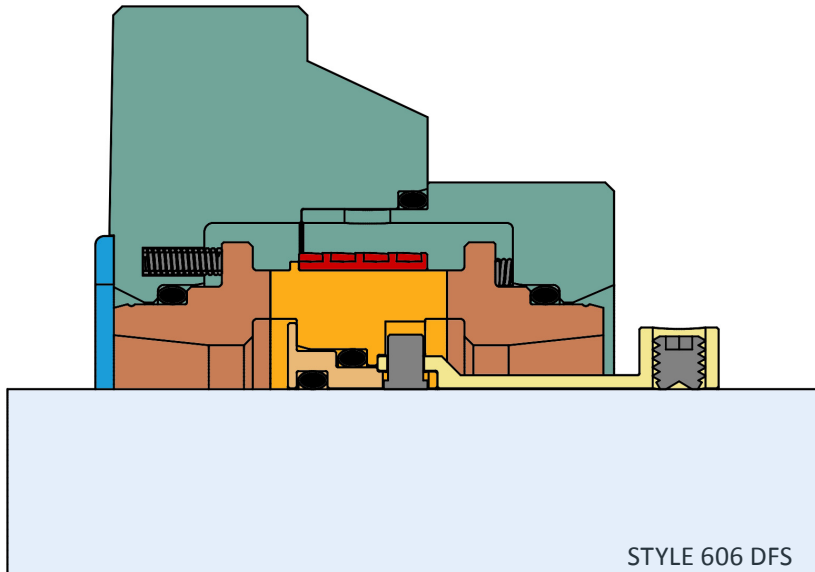
STYLE 600SL



STYLE 600SL

Dimensional table

D	In	D2	D3 int.	D3 ext.	D4	D5	D6	L	L2	S
24		42.0	47.0	58.0	67.0	76.0	104.0	41.0	22.5	13.0
25	1									
28	1.125	42.0	50.5	61.5	67.0	76.0	104.0	41.0	23.0	13.0
30		54.0	52.5	63.0	72.0	80.0	110.0	41.0	21.5	13.0
32	1.25									
33		54.0	55.5	65.5	72.0	80.0	110.0	41.0	21.5	13.0
35	1.375	61.0	57.5	68.0	81.0	89.0	128.0	41.0	21.5	13.0
38	1.5	61.0	60.0	72.0	81.0	89.0	128.0	41.0	21.5	13.0
40		61.0	62.5	73.0	81.0	89.0	128.0	41.0	21.5	13.0
43	1.625	65.0	65.2	75.5	86.0	100.0	142.0	41.0	21.5	14.0
45	1.75	65.0	66.8	77.8	86.0	100.0	142.0	41.0	21.5	14.0
48	1.875									
50	2	74.0	72.5	82.8	95.0	106.0	154.0	41.0	21.5	17.0
55	2.125	80.0	78.0	87.0	104.0	120.0	172.0	41.0	21.5	17.0
58	2.25									
60		80.0	82.5	93.0	104.0	120.0	172.0	41.0	21.5	17.0
	2.375									
65	2.5	87.0	91.4	101.5	124.0	134.0	180.0	45.0	26.5	17.0
	2.625									
70	2.75	87.0	97.0	108.0	124.0	134.0	180.0	50.0	26.5	17.0
75	2.875									
	3	113.0	105.0	120.5	136.0	148.0	200.0	55.0	26.5	19.0
80	3.125	114.0	110.0	130.0	136.0	148.0	200.0	55.0	26.5	19.0
85	3.25									
	3.375	123.0	113.8	132.8	150.0	160.0	220.0	55.0	26.5	20.0
90	3.5									
	3.625	123.0	123.8	140.8	150.0	160.0	220.0	55.0	26.5	20.0
95										
	3.75									
	3.875	134.0	130.0	146.5	164.0	176.0	240.0	55.0	26.5	20.0
100	4									



SEALTEK STYLE 606 DFS SLEEVELESS CARTRIDGE SEALS



New concept in double cartridge seals which makes the best use of the recent technology developed for the Style 600SL seals and widens its applications and performances.

The Style 606 is equipped with its own conical extension of the stuffing box in order to provide the longest possible MTBF available in the toughest applications. The seal faces are produced by means of the most advanced FEA technology, with double balance.

Style 606 DFS features multiple springs out of the pumped fluid, is extremely compact but able to withstand radial misalignments up to 4°.

Technical Data

Pressure Vacuum 700 mm Hg + 3,5 MPa**

Temperature Up to elastomer limit.

FKM: +205°C; E.P.R.: +150°C; FFKM: +315°C

Speed 25m/sec Depending on materials of sliding faces

**Upon shaft diameter and speed

Equipped with standard pumping ring, the Style 606 seal can be installed in almost every application, even heavy duty pumps, reactors, and mixers.

Materials

Sliding faces A - B - Q1 - Q2 - U2

O-rings FKM - EPDM - FFKM - FEPM - TTV

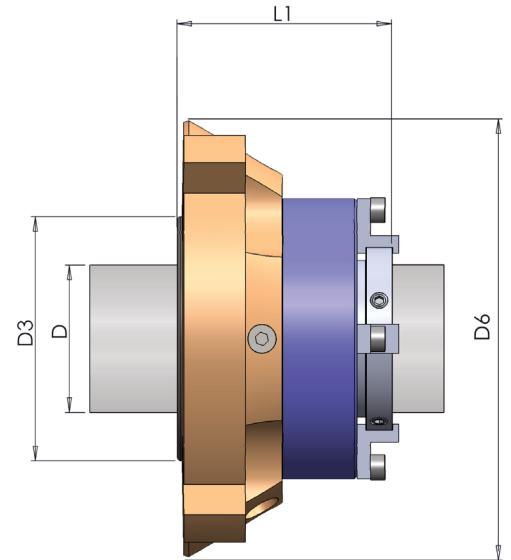
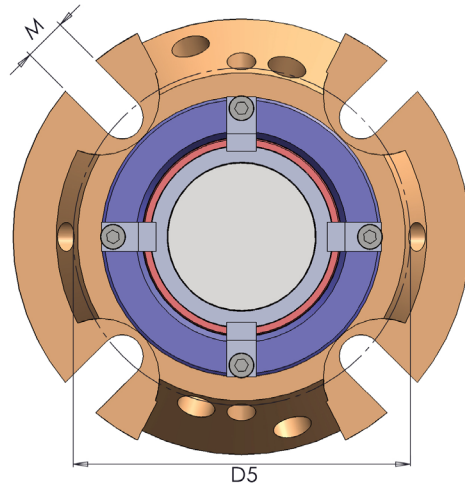
Springs Hastelloy* C - 276

Metal parts Aisi 316 L
DIN 1.4571*

D	D3	D6	D5	L1	M
30	66	118	97.5	70	14.5
32	66	118	97.5	70	14.5
33	66	118	97.5	70	14.5
35	69	140	99.5	70	14.5
38	74	145	104.5	70	14.5
40	74	145	104.5	70	14.5
42	78	150	110	72	14.5
43	78	150	110	72	14.5
45	78	150	110	72	14.5
48	83.4	155	114.5	72	14.5
50	83.4	155	114.5	72	14.5
53	88	160	119.5	72	14.5
55	88	160	119.5	72	14.5
60	94	165	124.5	72	14.5
65	102	170	129.5	72	14.5
70	109	175	143	75	21
75	121	180	155	75	21
80	131	185	165	75	21
85	134	190	168	75	21
90	142	195	176	75	21
95	142	200	176	75	21
100	148	210	182	75	21

SLEVELESS CARTRIDGE SEALS

STYLE 606DFS



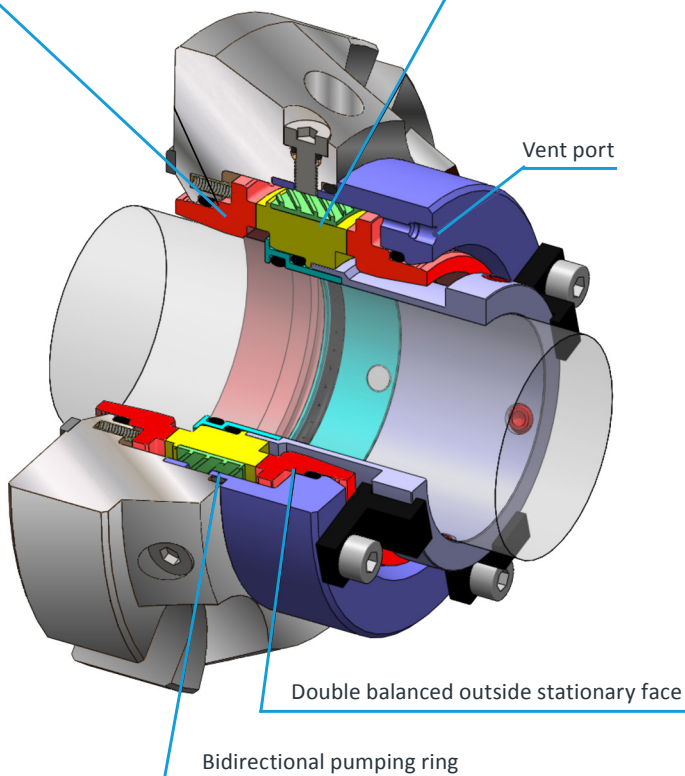
Double balanced inside conical stationary face

Monolithic rotary face

Vent port

Double balanced outside stationary face

Bidirectional pumping ring

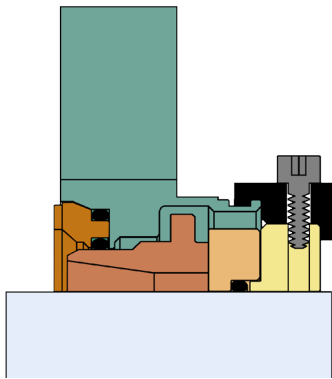


EASY
EFFECTIVE



VARIANTS 600 NMT - NON METAL

For all applications involving aggressive chemicals, Style 600NMT is a more efficient and more effective alternative to exotic alloys such as Super Duplex or Hastelloy, which are drastically outperformed by this revolutionary design.



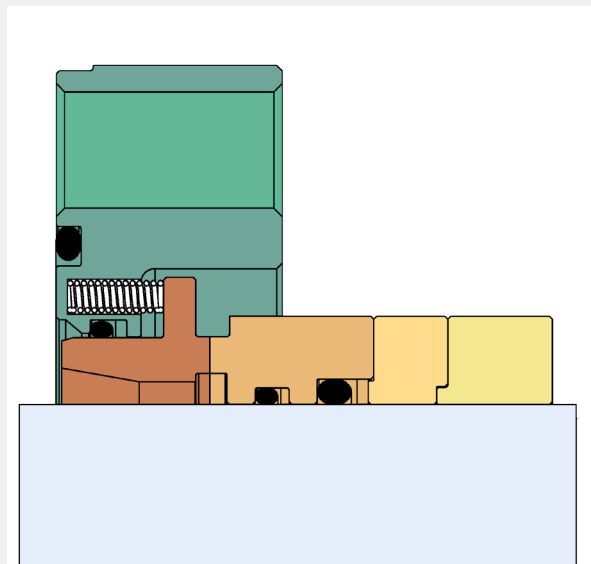
ALL

Wet parts are in sintered silicon carbide

600NMT

To provide total chemical resistance and enhanced abrasion resistance for just a fraction of the cost.

- NMT technology can be applied to our other sleeveless mechanical seals.
- Inside seal specifically designed for dangerous aggressive chemicals.
- The ultimate solution for heavy abrasive slurries typically found in the mining and paper industry.



STYLE 600 HP

600 HP HIGH PRESSURE APPLICATIONS

Variant for high pressure applications, able to withstand working environments of up to 100 bar.

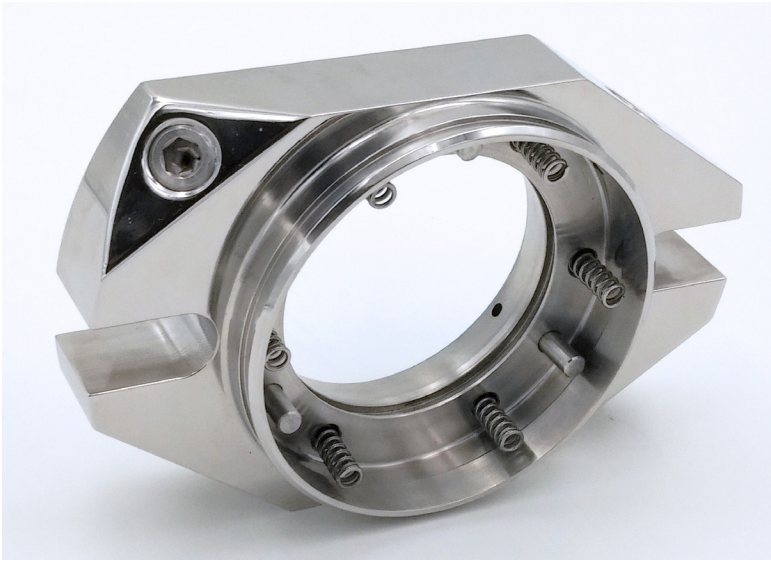
The special shape of sliding faces designed through the most advanced F.E.M. systems, allows safe working at very high pressure without distortion and with extreme PV factor.

Thanks to its specific design and use of advanced materials to reduce seal faces load and friction, it can be successfully installed in boiler feed pumps, booster pumps, extruders and hydrocracking units.



10 MPa

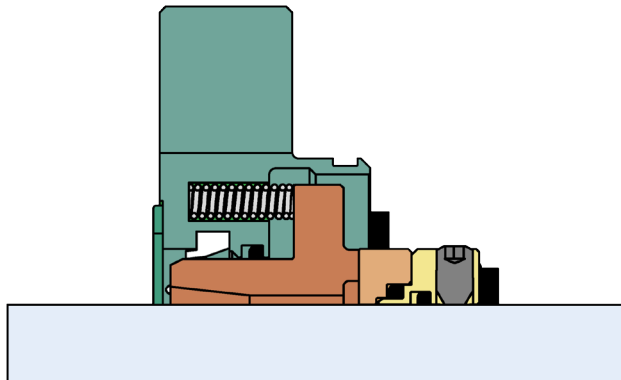
Maximum Pressure



STURDY SEAL

Withstands heavy mechanical shocks.

STYLE 600 HD HEAVY DUTY



ALSO FOR INSTALLATION ON SLURRY PUMPS

A more robust design of the original Sleeveless seal, specifically made for heavy duty applications requiring a sturdy seal to withstand heavy mechanical shocks.

With the addition of the revolutionary outside quench ring, the seal can be quickly upgraded for applications involving crystallizing or polymerizing fluids.



Greater torque resistance

Large driving pins and anti-rotation pins for great torque resistance, and the multiple springs are as well oversized.

STYLE 600 WR FOR WARMAN PUMPS



WARMAN 1,5/1B BAH PUMP

The design of Style 600SL is not only effective in sealing: it makes customization extremely easy for out-of-standard stuffing boxes.

The application where Style 600SL and 600HD have proved to shine is especially slurry pumps.

Thanks to its experience on the field, Sealtek is able to offer dedicated solutions for Warman pumps: no modification and no adapter is required.

The seal is incorporated in its own stuffing box, which is installed directly on the pump.

WARMAN PUMP	SEALTEK SEAL (STANDARD)	SEALTEK SEAL (HEAVY DUTY)	SIZE
1,5/1B BAH	600AB64050	600AB64HD050	50mm
2/1,5 BAH	600AB64050	600AB64HD050	50mm
3/2 CAH	600AB64060	600AB64HD060	60mm
4/3 CAH	600AC11060	600AC11HD060	60mm
4/3DAH	600AC13085	600AC13HD085	85mm
6/4DAH	600AC03085	600AC03HD085	85mm
6/4EAH	600AC03100	600AC03HD100	100mm



Technical Data

Pressure	Max 2.5 MPa* (362 PSI)
Temperature	Max 205°C (248°F)
Speed	Max 20 m/s (44.74 mph)

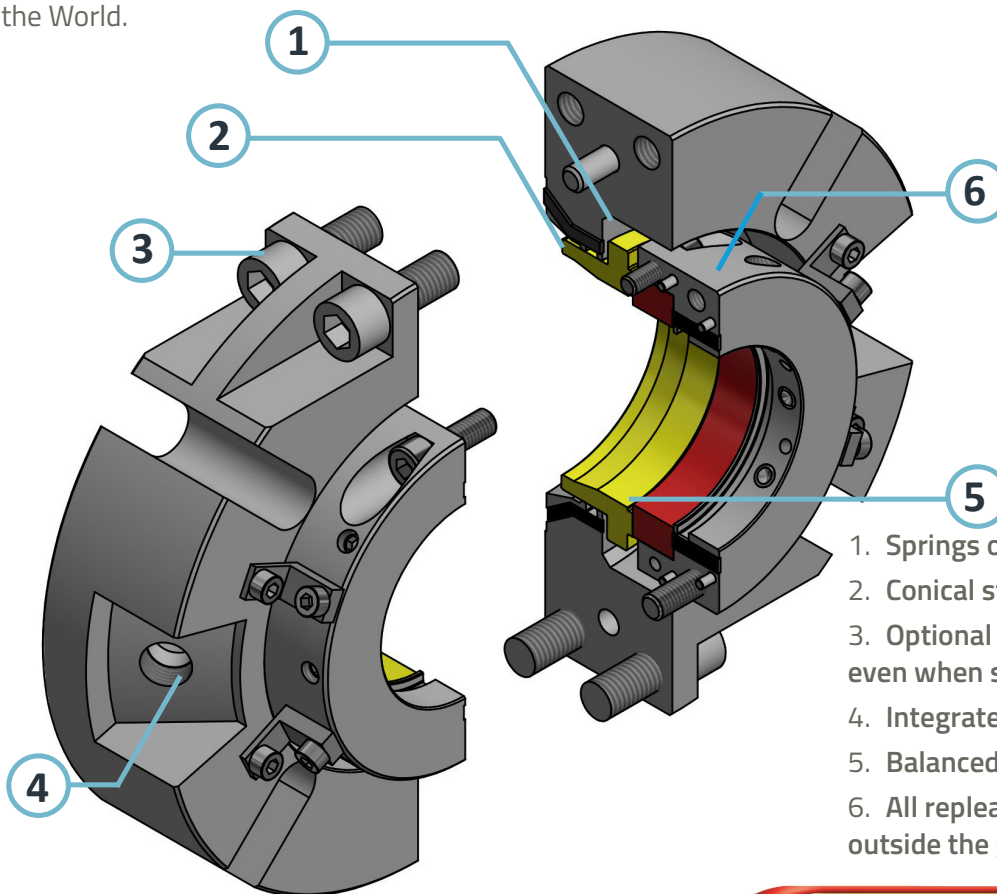
*Actual pressure limit may vary.

While still keeping all the features and benefits of the acclaimed Style 600SL cartridge-mounted mechanical seal, which has introduced to the market the concept of conical extension of the stuffing box, Style 688 requires no more effort than joining the two parts together and tightening the gland bolts. This dramatically cuts the installation time from hours to minutes, reduces the machine downtime and lowers the risk of installation-related seal malfunctions.

Style 688 can be applied on a wide range of applications and is the ideal seal for pumps which are difficult to disassemble or are located in hard to reach positions.

SEALTEK STYLE 688 MEET THE NEW GENERATION OF SPLIT SEALS

Style 688 is the latest result of Sealtek research and engineering efforts, and the most advanced split seal in the World.



1. Springs out of the fluid
2. Conical stationary face
3. Optional captive bolts stay in place even when seal is open
4. Integrated flush ports
5. Balanced seal design
6. All replaceable parts are located outside the gland



SEALTEK srl
 35010 VIGONZA (PD) Italy - Via Germania, 31
 Tel. +39 0498932178 - 8930536
 Fax +39 0498931723
 www.sealtek.com - e-mail: info@sealtek.com

Sealtek-06/2020-150-EP