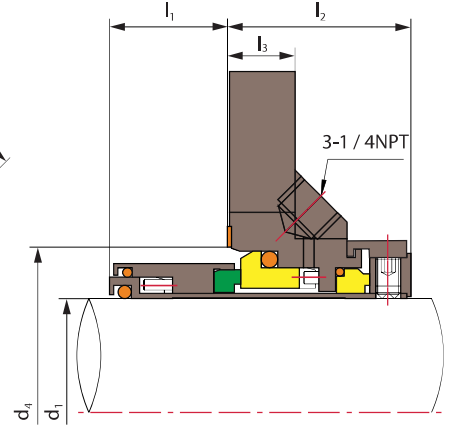
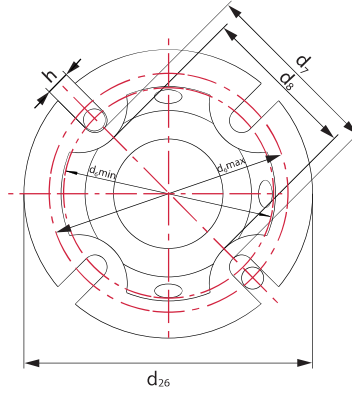


DEMS 400-A03



Çalışma Limitleri

Basınç: $\leq 2.3\text{MPa}$
 Hız: $\leq 16\text{m/s}$
 Sıcaklık: $-30^\circ\text{C} \sim +200^\circ\text{C}$

Operating Limits

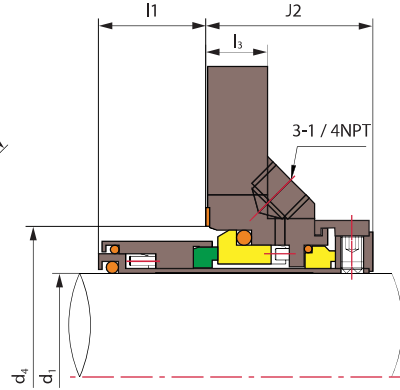
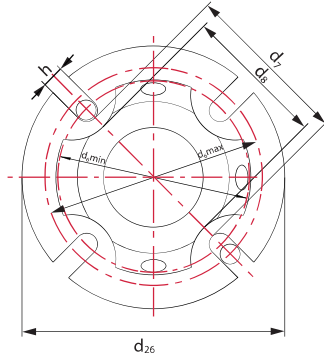
Pressure: $\leq 2.3\text{MPa}$
 Speed: $\leq 16\text{m/s}$
 Temperature: $-30^\circ\text{C} \sim +200^\circ\text{C}$

- Döner Yüzey (Carbon/SiC/TC)
- Sabit Eleman (SiC/TC)
- Elastomer (VITON/EPDM/Kalrez)
- Diğer Parçalar (SUS304/SUS316)

- Rotary Ring (Carbon/SiC/TC)
- Stationary Ring (SiC/TC)
- Secondary Seal (VITON/EPDM/Kalrez)
- Other Parts (SUS304/SUS316)

d ₁ (inches)	d ₄		d ₆		d ₇	d ₈	d ₂₆	l ₁	l ₂	l ₃	h max
	min	max	min	max							
1.000	1.625	1.937	2.687	3.562	2.125	1.937	4.125	1.125	1.590	0.519	1/2
1.125	1.750	2.062	2.812	3.687	2.250	2.063	4.250	1.125	1.590	0.519	1/2
1.250	1.875	2.187	2.937	3.812	2.375	2.187	4.375	1.125	1.590	0.519	1/2
1.375	2.000	2.250	3.062	3.812	2.500	2.312	4.375	1.125	1.590	0.519	1/2
1.500	2.250	2.375	3.375	4.437	2.812	2.562	5.000	1.125	1.752	0.644	1/2
1.625	2.375	2.500	3.375	4.437	2.812	2.562	5.000	1.125	1.752	0.644	1/2
1.750	2.500	2.750	3.750	4.937	3.187	2.812	5.500	1.125	1.752	0.644	1/2
1.875	2.625	2.875	3.750	4.937	3.187	2.812	5.500	1.125	1.752	0.644	1/2
2.000	2.750	3.000	4.125	5.437	3.562	3.063	6.000	1.125	1.752	0.644	1/2
2.000-AC	2.750	3.000	4.000	4.750	3.450	3.035	5.250	1.125	1.752	0.644	1/2
2.125	2.875	3.125	4.125	5.437	3.562	3.063	6.000	1.125	1.752	0.644	1/2
2.250	3.000	3.250	4.500	5.812	3.812	3.312	6.500	1.125	1.752	0.644	5/8
2.375	3.125	3.375	4.500	5.812	3.812	3.312	6.500	1.125	1.752	0.644	5/8
2.500	3.375	3.625	5.000	6.312	4.312	3.812	7.000	1.250	1.877	0.769	5/8
2.625	3.500	3.750	5.000	6.312	4.312	3.812	7.000	1.250	1.877	0.769	5/8
2.750	3.625	3.875	5.000	6.312	4.312	3.812	7.000	1.250	1.877	0.769	5/8
2.875	3.750	4.125	5.625	6.812	4.937	4.250	7.500	1.250	1.877	0.769	5/8
3.000	3.875	4.250	5.625	6.812	4.937	4.250	7.500	1.250	1.877	0.769	5/8
3.125	4.000	4.375	5.625	6.812	4.937	4.250	7.500	1.250	1.877	0.769	5/8
3.250	4.125	4.500	6.125	7.187	5.312	4.625	8.000	1.250	1.877	0.769	3/4
3.375	4.250	4.625	6.125	7.187	5.312	4.625	8.000	1.250	1.877	0.769	3/4
3.500	4.375	4.750	6.125	7.187	5.312	4.625	8.000	1.250	1.877	0.769	3/4
3.625	4.500	5.000	6.750	7.687	5.937	5.000	8.500	1.250	1.877	0.769	3/4
3.750	4.625	5.125	6.750	7.687	5.937	5.000	8.500	1.250	1.877	0.769	3/4
3.875	4.750	5.250	6.750	7.687	5.937	5.000	8.500	1.250	1.877	0.769	3/4
4.000	4.875	5.500	7.437	8.187	6.625	5.375	9.000	1.250	1.877	0.769	3/4
4.125	5.125	5.875	7.437	8.187	6.625	5.375	9.000	1.250	1.877	0.769	3/4
4.250	5.125	5.875	7.437	8.187	6.625	5.375	9.000	1.250	1.877	0.769	3/4
4.375	5.375	6.250	7.812	8.687	7.000	5.750	9.500	1.250	1.877	0.769	3/4
4.500	5.375	6.250	7.812	8.687	7.000	5.750	9.500	1.250	1.877	0.769	3/4
4.625	5.625	6.625	8.312	9.062	7.345	6.125	10.000	1.250	1.877	0.769	7/8
4.750	5.625	6.625	8.312	9.062	7.345	6.125	10.000	1.250	1.877	0.769	7/8
4.875	5.875	6.625	8.312	9.062	7.345	6.125	10.000	1.250	1.877	0.769	7/8
5.000	5.875	6.625	8.312	9.062	7.345	6.125	10.000	1.250	1.877	0.769	7/8

DEMS 400-A03



Çalışma Limitleri

Basınç: $\leq 2.3\text{MPa}$
 Hız: $\leq 16\text{m/s}$
 Sıcaklık: $-30^{\circ}\text{C} \sim +200^{\circ}\text{C}$

Operating Limits

Pressure: $\leq 2.3\text{MPa}$
 Speed: $\leq 16\text{m/s}$
 Temperature: $-30^{\circ}\text{C} \sim +200^{\circ}\text{C}$

- Döner Yüzey (Carbon/SiC/TC)
 - Sabit Elemaar (SiC/TC)
 - Elastomer (VITON/EPDM/Kalrez)
 - Diğer Parçalar (SUS304/SUS316)
- Rotary Ring (Carbon/SiC/TC)
 - Stationary Ring (SiC/TC)
 - Secondary Seal (VITON/EPDM/Kalrez)
 - Other Parts (SUS304/SUS316)

d ₁ (mm)	d ₄		d ₅		d ₇	d ₈	d ₂₆	l ₁	l ₂	l ₃	h max
	min	max	min	max							
24	40.0	46.0	67.0	90.5	54.0	49.2	104.8	28.6	40.5	13.2	12
25	41.0	49.0	67.0	90.5	54.0	49.2	104.8	28.6	40.5	13.2	12
28	44.0	52.3	70.3	93.6	57.2	52.4	108.0	28.6	40.5	13.2	12
30	46.0	55.5	73.5	96.8	60.4	55.6	111.0	28.6	40.5	13.2	12
32	48.0	55.5	73.5	96.8	60.4	55.6	111.0	28.6	40.5	13.2	12
33	49.0	55.5	73.5	96.8	60.4	55.6	111.0	28.6	40.5	13.2	12
35	51.0	57.5	76.6	96.8	63.5	58.8	111.0	28.6	40.5	13.2	12
38	57.2	60.4	85.7	114.3	71.5	65.0	127.0	28.6	44.5	16.4	12
40	58.0	60.4	85.7	114.3	71.5	65.0	127.0	28.6	44.5	16.4	12
43	61.0	69.9	95.3	127.0	81.0	71.4	139.7	28.6	44.5	16.4	12
45	63.5	69.9	95.3	127.0	81.0	71.4	139.7	28.6	44.5	16.4	12
48	66.7	73.0	95.3	127.0	81.0	71.4	139.7	28.6	44.5	16.4	12
50	68.0	76.2	104.8	139.7	90.5	77.8	152.4	28.6	44.5	16.4	12
53	71.0	76.2	104.8	139.7	90.5	77.8	152.4	28.6	44.5	16.4	12
55	74.0	82.5	114.3	149.2	96.8	84.1	165.1	28.6	44.5	16.4	16
58	76.2	82.6	114.3	149.2	96.8	84.1	165.1	28.6	44.5	16.4	16
60	79.4	85.7	114.3	149.2	96.8	84.1	165.1	28.6	44.5	16.4	16
63	85.8	92.1	127.0	160.3	109.5	96.8	177.8	31.8	47.7	19.6	16
65	88.9	95.3	127.0	160.3	109.5	96.8	177.8	31.8	47.7	19.6	16
68	92.1	98.4	127.0	160.3	109.5	96.8	177.8	31.8	47.7	19.6	16
70	92.1	98.4	127.0	160.3	109.5	96.8	177.8	31.8	47.7	19.6	16
75	98.5	108.0	142.9	173.0	125.4	108.0	190.5	31.8	47.7	19.6	16
80	101.6	111.1	142.9	173.0	125.4	108.0	190.5	31.8	47.7	19.6	16
85	108.0	117.5	155.6	182.5	135.0	117.5	203.2	31.8	47.7	19.6	20
90	114.3	127.0	171.5	195.2	150.8	127.0	215.9	31.8	47.7	19.6	20
95	117.5	130.2	171.5	195.2	150.8	127.0	215.9	31.8	47.7	19.6	20
100	123.9	139.7	188.9	207.9	168.3	136.5	228.6	31.8	47.7	19.6	20
105	130.1	149.2	189.0	208.0	168.3	136.5	228.6	31.8	47.7	19.6	20
110	136.5	158.8	198.4	220.6	177.8	146.1	241.3	31.8	47.7	19.6	20
115	142.9	168.3	211.1	230.2	186.6	155.6	254.0	31.8	47.7	19.6	22
120	142.9	168.3	211.1	230.2	186.6	155.6	254.0	31.8	47.7	19.6	22
125	149.2	168.3	211.1	230.2	186.6	155.6	254.0	31.8	47.7	19.6	22