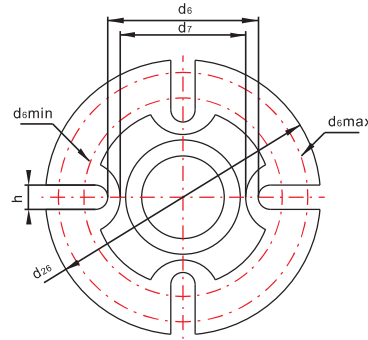
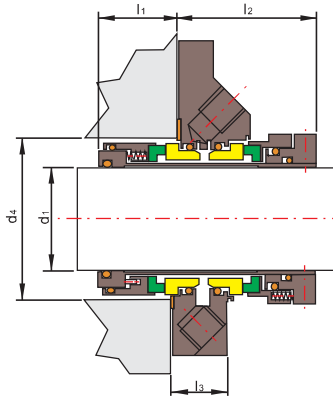


DEMS 410-A04



Çalışma Limitleri

Basınç: ≤ 2.1 MPa
 Hız: ≤ 25 m/s
 Sıcaklık: $-40^{\circ}\text{C} \sim +204^{\circ}\text{C}$

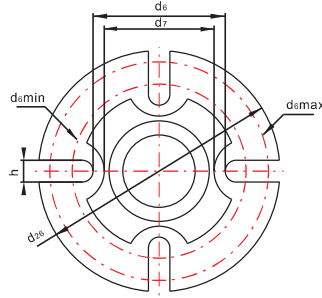
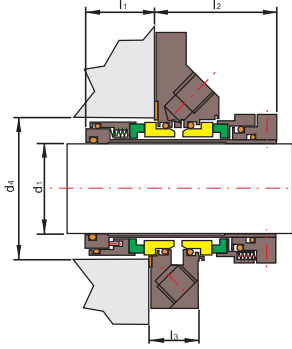
Operating Limits

Pressure: ≤ 2.1 MPa
 Speed: ≤ 25 m/s
 Temperature: $-40^{\circ}\text{C} \sim +204^{\circ}\text{C}$

- Döner Yüzey (SiC/Carbon/TC)
- Sabit Elemanlar (SiC/TC)
- Elastomer (VITON/EPDM/Kalrez)
- Diğer Parçalar(C-276/Duplex/316)
- Rotary Ring (SiC/Carbon/TC)
- Stationary Ring (SiC/TC)
- Secondary Seal (VITON/EPDM/Kalrez)
- Other Parts (C-276/Duplex/316)

d ₁ (mm)	d ₄	d ₆	d ₇	d ₈	d ₂₆	l ₁	l ₂	l ₃	h
24	40.0	74.6	60.3	-	104.8	30.7	51.3	23.5	12
25	41.0	74.6	60.3	-	104.8	30.7	51.3	23.5	12
28	44.0	74.6	60.3	-	108.0	30.7	51.3	23.5	12
30	46.0	77.8	63.5	-	111.0	30.7	51.3	23.5	12
32	48.0	77.8	63.5	-	111.0	30.7	51.3	23.5	12
33	49.0	77.8	63.5	-	111.0	30.7	51.3	23.5	12
35	50.8	80.9	66.7	-	111.0	30.7	51.3	23.5	12
38	57.2	85.7	71.9	-	127.0	27.7	56.5	21.6	12
40	57.2	85.7	71.9	-	127.0	27.7	56.5	21.6	12
43	60.3	85.7	71.9	-	127.0	27.7	56.5	21.6	12
45	63.5	90.5	76.7	-	133.4	27.7	56.5	21.6	12
48	66.7	90.5	76.7	-	133.4	27.7	56.5	21.6	12
50	68.0	90.5	76.7	-	133.4	27.7	56.5	21.6	12
53	71.0	100.0	86.0	-	139.7	29.2	57.2	21.6	12
55	73.0	111.1	93.7	-	146.0	29.2	57.2	21.6	16
58	76.2	111.1	93.7	-	146.0	29.2	57.2	21.6	16
60	79.4	117.5	100.0	-	152.4	29.2	57.2	21.6	16
63	85.7	127.0	109.5	-	177.8	31.8	63.8	23.5	16
65	88.9	127.0	109.5	-	177.8	31.8	63.8	23.5	16
70	92.1	127.0	109.5	-	177.8	31.8	63.8	23.5	16
75	98.5	142.9	125.4	-	190.5	31.8	63.8	23.5	16
80	101.6	142.9	125.4	-	190.5	31.8	63.8	23.5	16
85	108.0	152.4	135.0	-	203.2	31.8	63.8	23.5	16
90	114.3	171.5	150.8	127.0	215.9	31.8	47.7	19.6	20
95	117.5	171.5	150.8	127.0	215.9	31.8	47.7	19.6	20
100	123.9	188.9	168.3	136.5	228.6	31.8	47.7	19.6	20
115	142.9	211.1	186.6	155.6	254.0	31.8	47.7	19.6	22
120	142.9	211.1	186.6	155.6	254.0	31.8	47.7	19.6	22

DEMS 410-A04



Çalışma Limitleri

Basınç: ≤ 2.1 MPa

Hız: ≤ 25 m/s

Sıcaklık: $-40^{\circ}\text{C} \sim +204^{\circ}\text{C}$

Operating Limits

Pressure: ≤ 2.1 MPa

Speed: ≤ 25 m/s

Temperature: $-40^{\circ}\text{C} \sim +204^{\circ}\text{C}$

- Döner Yüzey (SiC/Carbon/TC)
- Sabit Elemanlar (SiC/TC)
- Elastomer (VITON/EPDM/Kalrez)
- Diğer Parçalar (C-276/Duplex/316)
- Rotary Ring (SiC/Carbon/TC)
- Stationary Ring (SiC/TC)
- Secondary Seal (VITON/EPDM/Kalrez)
- Other Parts (C-276/Duplex/316)

144

d ₁ (inches)	d ₄	d ₆	d ₇	d ₈	d ₂₆	l ₁	l ₂	l ₃	h
1.000	1.625	2.937	2.375	-	4.125	1.209	2.020	0.927	1/2
1.125	1.750	2.937	2.375	-	4.250	1.209	2.020	0.927	1/2
1.250	1.875	3.062	2.500	-	4.375	1.209	2.020	0.927	1/2
1.375	2.000	3.186	2.625	-	4.375	1.209	2.020	0.927	1/2
1.500	2.250	3.375	2.832	-	5.000	1.090	2.226	0.852	1/2
1.625	2.375	3.375	2.832	-	5.000	1.090	2.226	0.852	1/2
1.750	2.500	3.562	3.022	-	5.250	1.090	2.226	0.852	1/2
1.875	2.625	3.562	3.022	-	5.250	1.090	2.226	0.852	1/2
2.000	2.750	3.937	3.386	-	5.500	1.150	2.250	0.852	1/2
2.125	2.875	4.375	3.687	-	5.750	1.150	2.250	0.852	5/8
2.250	3.000	4.375	3.687	-	5.750	1.150	2.250	0.852	5/8
2.375	3.125	4.625	3.937	-	6.000	1.150	2.250	0.852	5/8
2.500	3.375	5.000	4.312	-	7.000	1.250	2.510	0.926	5/8
2.625	3.500	5.000	4.312	-	7.000	1.250	2.510	0.926	5/8
2.750	3.625	5.000	4.312	-	7.000	1.250	2.510	0.926	5/8
2.875	3.750	5.625	4.937	-	7.500	1.250	2.510	0.926	5/8
3.000	3.875	5.625	4.937	-	7.500	1.250	2.510	0.926	5/8
3.125	4.000	5.625	4.937	-	7.500	1.250	2.510	0.926	5/8
3.250	4.125	6.000	5.312	-	8.000	1.250	2.510	0.926	5/8
3.375	4.250	6.000	5.312	-	8.000	1.250	2.510	0.926	5/8
3.500	4.375	6.000	5.312	-	8.000	1.250	2.510	0.926	5/8
3.625	4.500	6.750	5.937	5.000	8.500	1.250	1.877	0.769	3/4
3.750	4.625	6.750	5.937	5.000	8.500	1.250	1.877	0.769	3/4
3.875	4.750	6.750	5.937	5.000	8.500	1.250	1.877	0.769	3/4
4.000	4.875	7.437	6.625	5.375	9.000	1.250	1.877	0.769	3/4
4.625	5.625	8.312	7.345	6.125	10.000	1.250	1.877	0.769	7/8
4.750	5.625	8.312	7.345	6.125	10.000	1.250	1.877	0.769	7/8